



DERO **ARC RACK**

- High security
- Superior bike support
- Attractive geometric design

Clean, simple, elegant and practical: the Dero Arc Rack parks bicycles with additional flair when more than a plain rack is needed. Square tubing provides function and style with clean geometric lines and resistance to pipe-cutters – a tool of choice among bike thieves.



Your Logo Here!

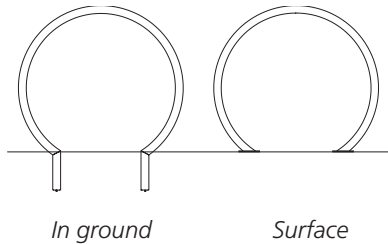
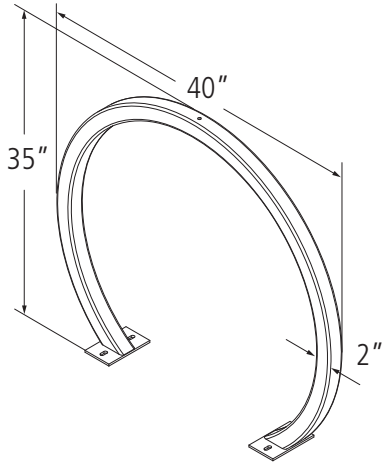
We can include your organization's logo in the center of a specially designed Dero Arc Rack. Contact us for more details on this unique option.



 www.dero.com  1.800.337.6729



 Printed on recycled paper



Product

Dero Arc Rack
As manufactured by Dero Bike Racks

Capacity

2 Bikes

Materials



2" x 2" x 3/16" square tube.

Finishes



An after fabrication hot dipped galvanized finish is our standard option. 250 TGIC powder coat colors, thermoplastic coating, PVC dip, and stainless steel finishes are also available as alternate options.

Our powder coat finish assures a high level of adhesion and durability by following these steps:

1. Sandblast
2. Epoxy primer electrostatically applied
3. Final thick TGIC polyester powder coat

Stainless Steel: 304 grade stainless steel material finished in either a high polished shine or a satin finish.

Installation Methods



In ground mount is embedded into concrete base. Specify in ground mount for this option.

Foot Mount has two 3.5"x6"x.25" feet with two anchors per foot. Specify foot mount for this option.

Space Use and Setbacks



Wall Setbacks:

For racks set parallel to a wall:
Minimum: 24"
Recommended: 36"

For racks set perpendicular to a wall:

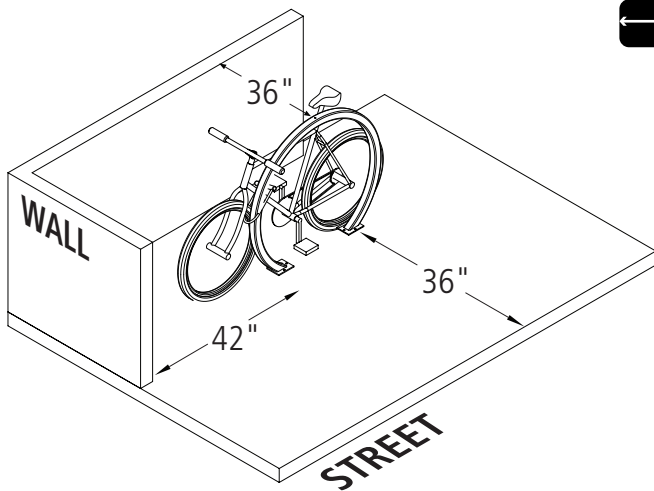
Minimum: 28"
Recommended: 42"

Distance Between Racks:

Minimum: 24"
Recommended: 36"

Street Setbacks:

Minimum: 24"
Recommended: 36"



Tools Needed for Installation

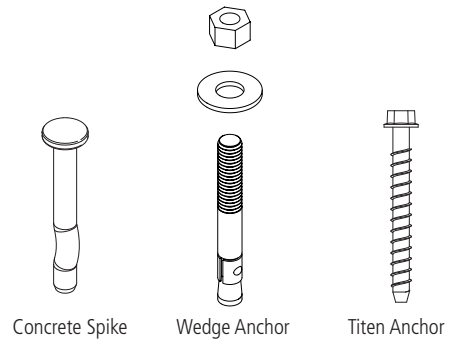
- Tape Measure
- Marker or Pencil
- Masonry Drill Bit 3/8"
- Drill (Hammer drill recommended)
- Hammer
- Wrench 9/16"
- Level

Recommended Base Materials:

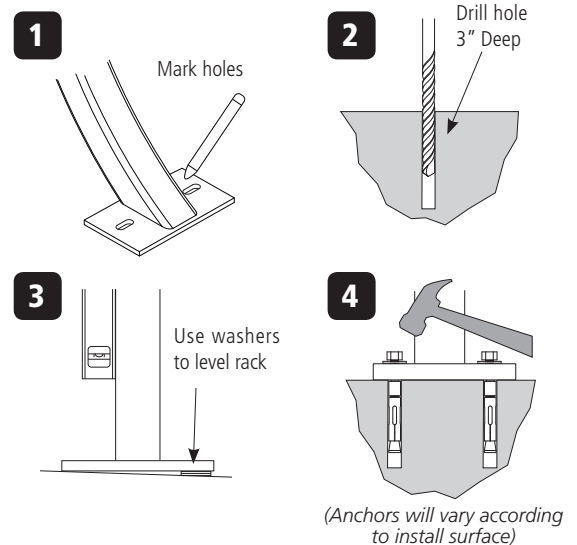
Solid concrete is the best base material for installation. To ensure the proper anchors are shipped with your rack, ask your Dero Rack representative which anchor is appropriate for your application. Be sure nothing is underneath the base material that could be damaged by drilling.

Installation:

3/8" anchors are shipped with the rack. Place the rack in the desired location. Use a marker or pencil to outline the holes of the flange onto the base material. Drill the holes in accordance with the specifications shipped with the anchors. Make sure the holes are at least 3" away from any cracks in the base material. Use washers to level rack if necessary. Tap in anchors and follow your specific anchor instructions provided with the rack.



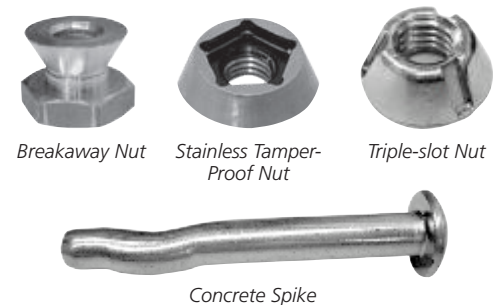
Standard Anchor Types



Tamper Resistant Fasteners

The concrete spike is a permanent anchor. The top of the wedge anchor can also be pounded sideways after installation so that it cannot be removed. Other tamper resistant fasteners are also available for purchase.

When using the special tamper resistant nuts, always set and first tighten the anchors. Once the rack is installed, replace two nuts from the bracket (opposite sides from each other) with the tamper resistant fastener. DO NOT OVERTIGHTEN the tamper resistant nut.



If you have any questions about installation or other features of the Arc Rack, please call us toll free at 1-888-337-6729

Tools Needed for Installation

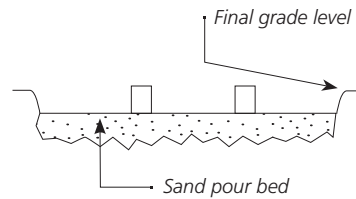
Level	Hole coring machine with 4" bit
Cement mixing tub	Access to water hose
Shovel	Materials to build brace (see "Install Tip" at bottom of page)
Trowel	

Installing into Existing Sidewalk

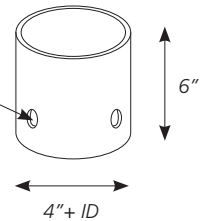
Core holes no less than 4" diameter and no less than 11" deep into sidewalk. Fill holes with Super Por-Rok or epoxy grout. Place Arc Rack into holes, making sure the rack is level. The welds at the base should be just below the surface. Make sure the rack is level and held in place until the grout has set.

Installing Into a New Sidewalk:

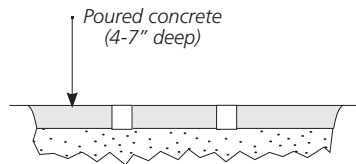
1 Place corrosion resistant sleeve (min. 4" inside diameter) in sand pour bed in exact location where rack will be installed. Make sure top of sleeve is at same level as desired finished concrete surface. Fill sleeve with sand to keep it in place and prevent it from filling with concrete.



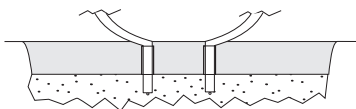
Note: Sleeve should have profile to keep it from coming loose from hardened concrete.



2 Pour concrete and allow to cure.



3 After appropriate cure time, dig out sand from sleeves and insert racks, making sure they are level and at the appropriate height. Pour in Super Por-Rok or epoxy grout and allow to set.



INSTALL TIP

An easy way to brace the Arc Rack while the grout sets is to bolt two 1x4" boards together at one end and clamp them onto the legs of the Arc Rack like a clothes pin.

