

DERO

BIKE FILE

- *U-lock compatible*
- *Highly efficient bike storage*
- *Modular design for easy add-ons*

The Bike File is our most space efficient u-lock compatible product. Sturdy sliding hangers allow nine bikes to be securely stored in an eight-foot section while allowing for easy loading and unloading of bikes.

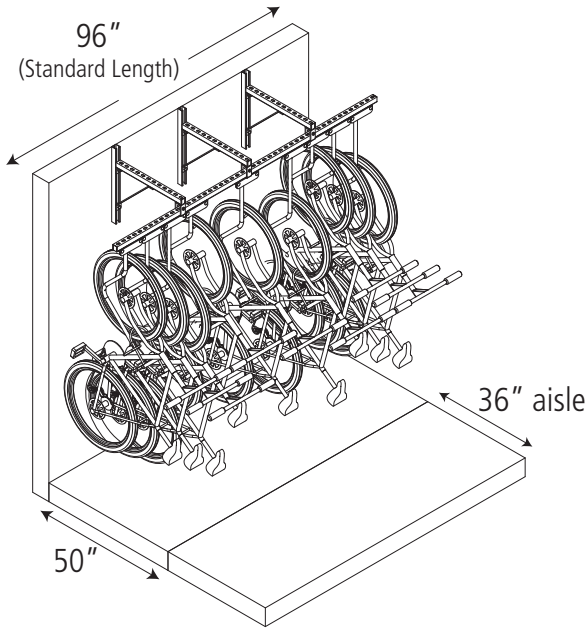
Ceiling mount, wall mount and floor mount options are available.



 www.dero.com  1.800.337.6729



Printed on recycled paper



Product

Dero Bike File
As manufactured by Dero Bike Racks

Capacity

9 bikes per 8-foot unit

Materials



12 gauge galvanized steel trolley track
Stainless steel trolley assembly
1" 16g arms

Installation Methods

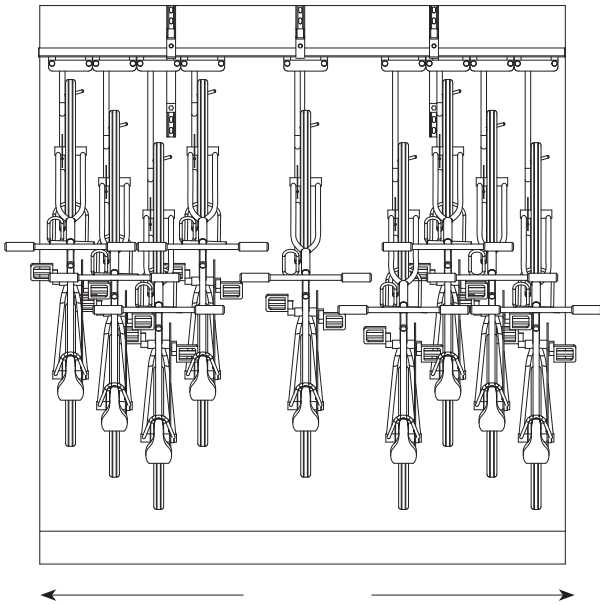


The Bike File is available in a wall-mounted or ceiling-mounted configuration. Please contact us if you are interested in a floor-mounted Bike File.

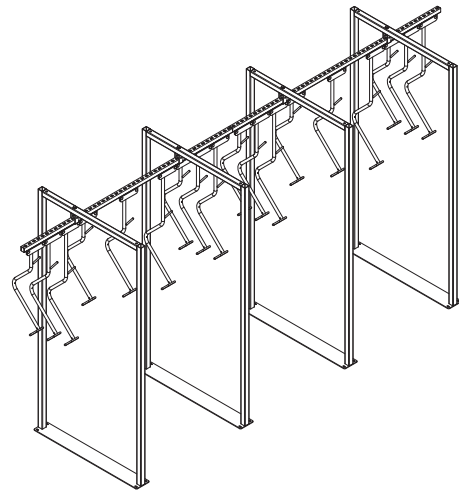
Space Use and Setbacks



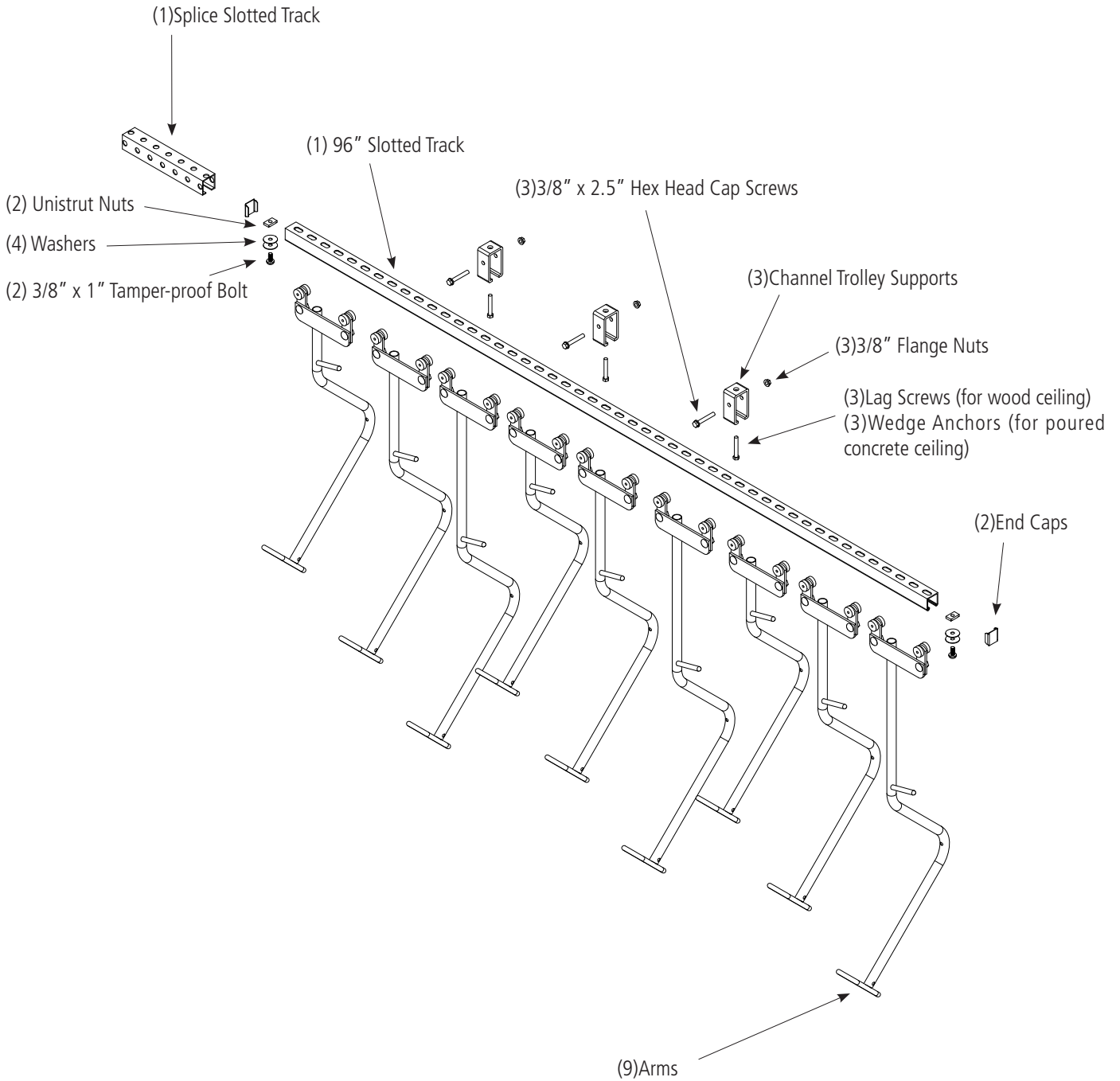
Bike Files may be lined up end to end to fill the available space. A 36" aisle should be left between racks facing one another.



Trolleys allow you to push neighboring bikes apart when hanging or removing a bike



Bike Files may be spliced together for expanded, continuous bike storage.



Tools Needed for Installation:

- 9/16" Wrench/Socket
- 3/4" Wrench/Socket
- 1/4" Drill Bit or 3/8" Masonry Drill Bit (depending on anchor type)
- Tape Measure
- Drill (Hammer Drill Recommended)
- Hammer
- Level
- Saw for cutting track

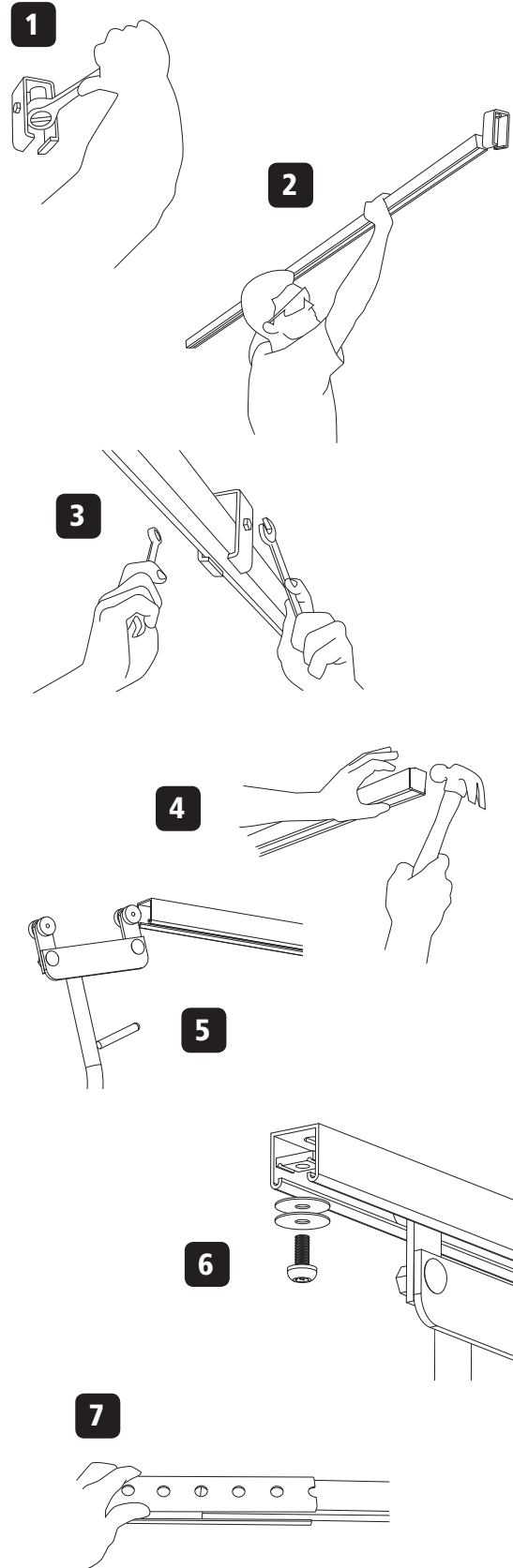
Recommended Base Install Material

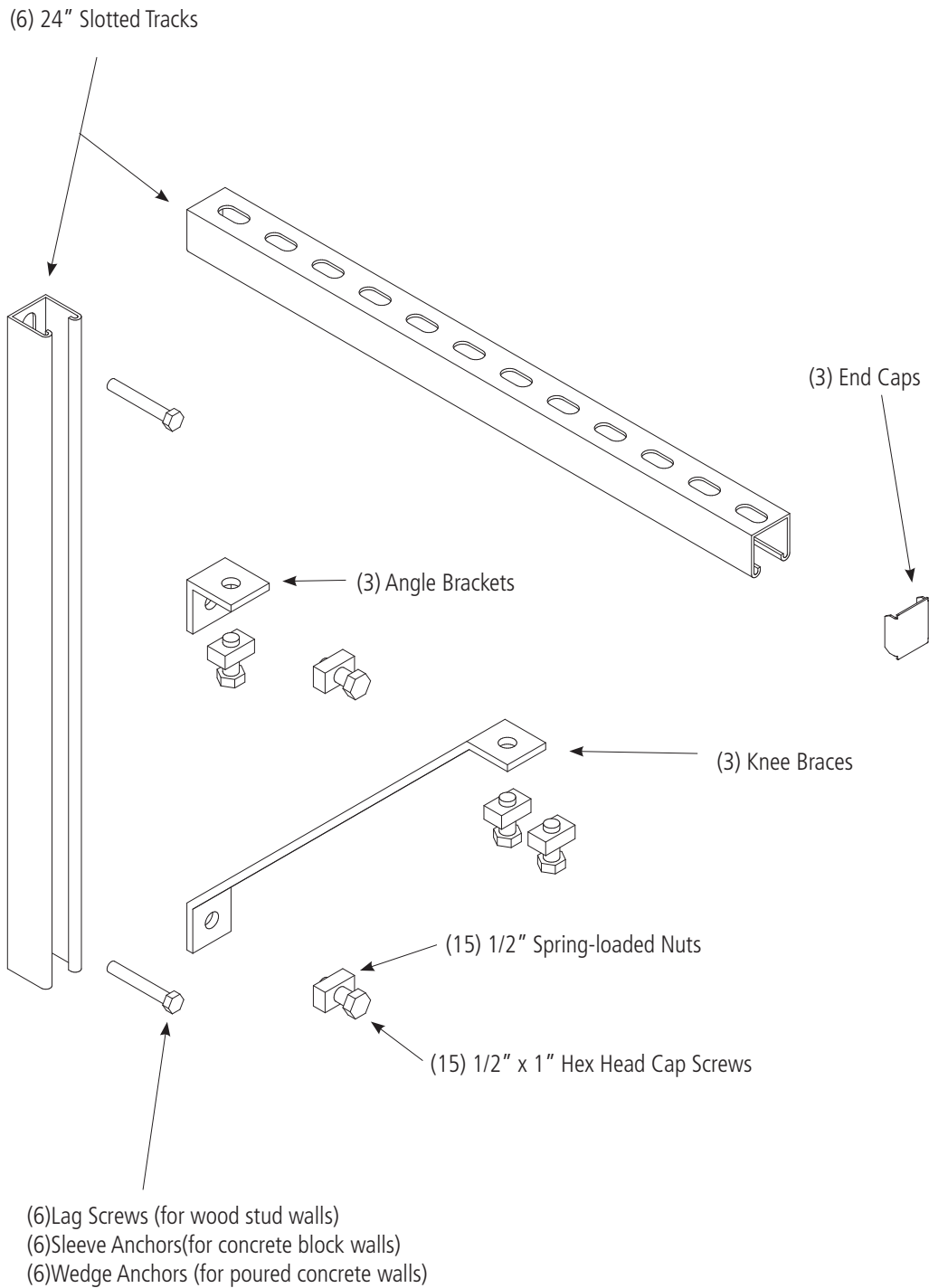
Note: if installing a ceiling mounted Bike File, continue with the assembly by following the directions below. If installing a wall mounted or floor mounted model, assemble those units according to their instructions first.

Installation Steps

Before installing: Make sure the ceiling is strong enough to accommodate the rack fully loaded with bikes. Compare parts shipped with rack to the parts list on the previous page. Contact Dero if any parts are missing. Make sure the 96" Slotted Track will fit in your space. If necessary, cut the Slotted Track to the required length.

- 1** Mount Channel Trolley Supports in ceiling with appropriate anchors so that the centers of the brackets are 19" from each end of the 96" Slotted Track and 32" apart from each other.
- 2** Slide 96" Slotted Track through the Channel Trolley Supports so that the centers of the brackets are 19" from the end of the Slotted Track.
- 3** Secure the Channel Trolley Supports onto the 96" Slotted Track by tightening the Hex Head Cap Screws and Flange Nuts through the holes in the Channel Trolley Supports.
- 4** Insert a 1/2" Carriage Bolt into the last slot and fasten 3 Washers and a Tamperproof Nut. Finish by hammering in an End Cap.
- 5** Insert the Trolleys into the open end of the 96" Slotted Track.
- 6** If no more Bike Files are going to be spliced together, insert a 3/8" Unistrut nut into the end of the channel and affix with 2 large washers and tamper-proof bolt. Finish by hammering in an End Cap.
- 7** If splicing an additional length of track, slide the Splice Slotted Track over the last 6" of the 96" Slotted Track.





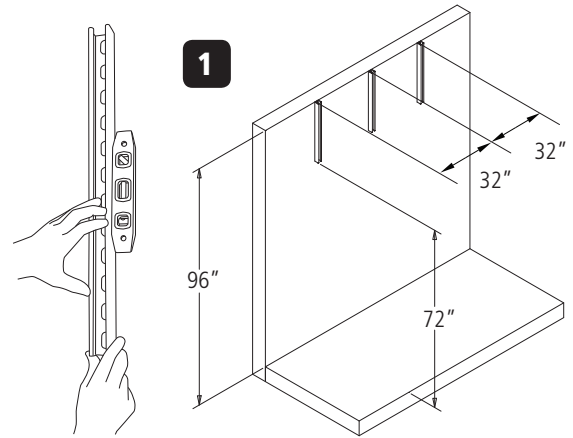
Tools Needed for Installation:

- 9/16" Wrench/Socket
- 3/4" Wrench/Socket
- 1/4" Drill Bit or 3/8" Masonry Drill Bit (depending on anchor type)
- Tape Measure
- Drill (Hammer Drill Recommended)
- Hammer
- Level
- Saw for cutting rack

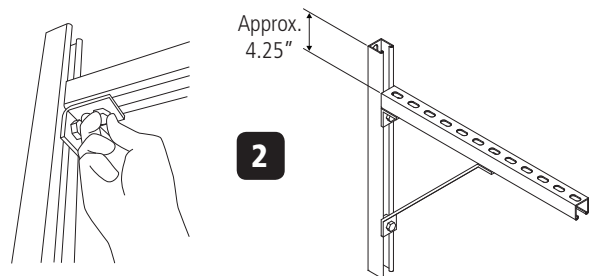
Installation Steps

Before installing: Make sure the wall is strong enough to accommodate the rack fully loaded with bikes. Compare parts shipped with rack to parts list. Call Dero if any parts are missing.

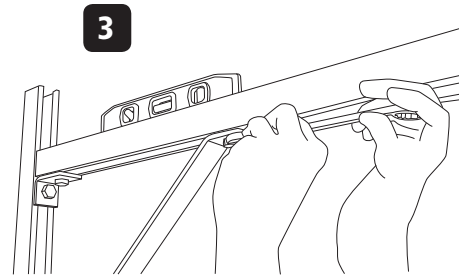
1 Mount 24" Slotted Tracks vertically to the wall with the appropriate anchors. Use a level for greatest accuracy. The bottom edge of the Slotted Track should be approximately 72" off the floor. The Slotted Tracks should be 32" apart from each other, and the end Slotted Tracks should be 19" from the eventual position of the end of the Trolley track.



2 Mount the remaining 24" Slotted Tracks horizontally and protruding from the wall so that the slotted surface of the Slotted Track is 4.25" below the top edge of the vertical 24" Slotted Track. Use the Knee Braces, Angle Brackets, and the Spring-loaded Nuts and Hex Head Cap Screws to secure the horizontal Slotted Track in place.

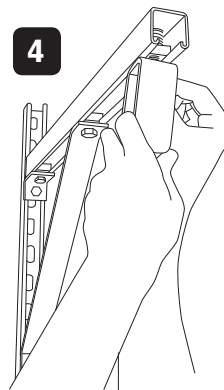


3 Make sure the horizontal Slotted Track is level. Adjust if necessary.



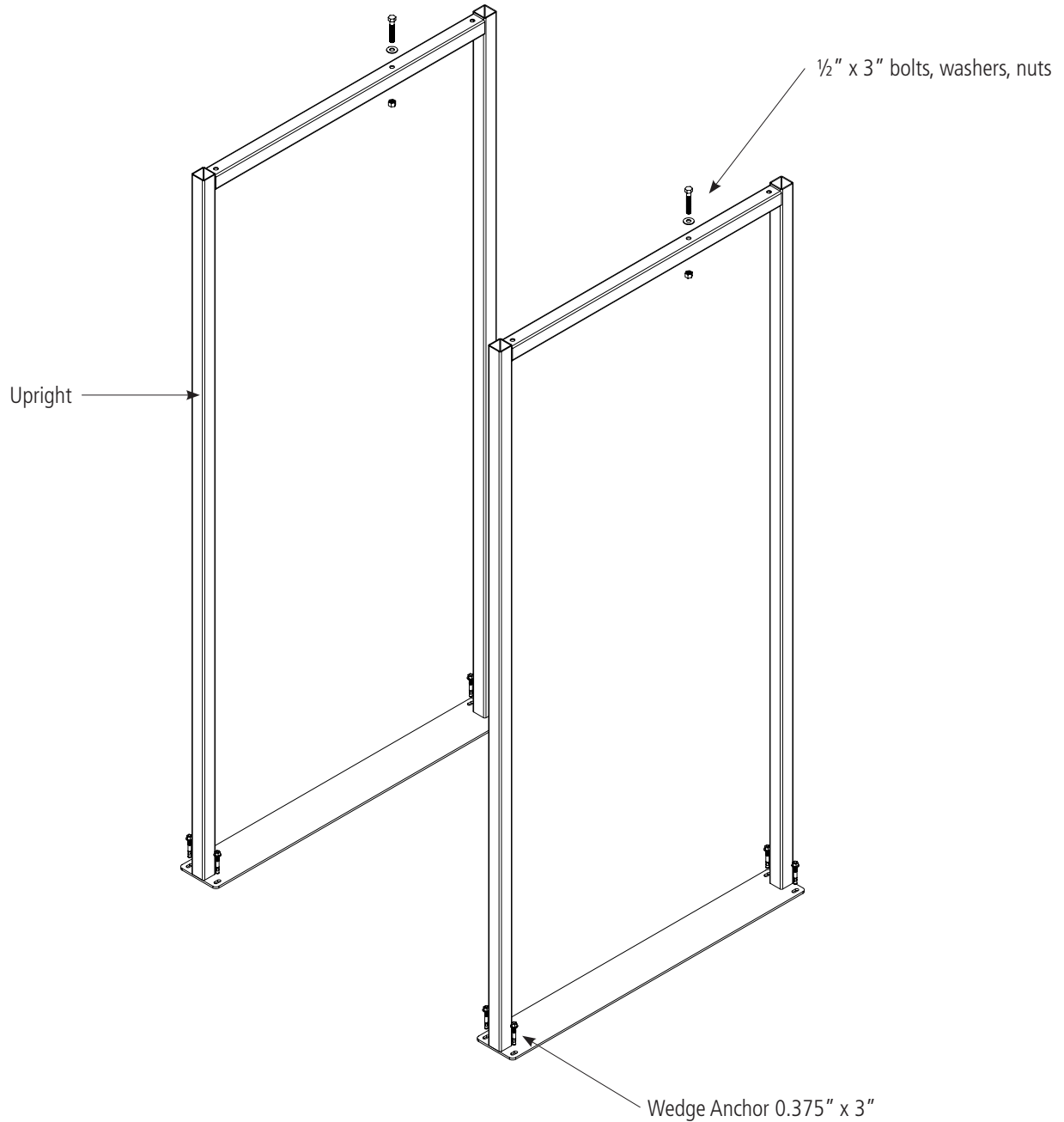
4 Attach the Bike File to the Wall Mount assemblies by securing the Channel Trolley Supports to the horizontal 24" Slotted Track with the remaining Spring-loaded Nut and Hex Head Cap Screw. The edge of the Slotted Track Mounting Bracket should be flush with the edge of the 24" Slotted Track.

5 Follow the installation instructions for the basic Bike File unit to complete the assembly.





The floor mounted Bike File **MUST** be anchored to the floor. This is **NOT** a freestanding unit



**Tools Needed for Installation:**

9/16" wrench/socket
3/4" wrench/socket, qty. 2
3/8" masonry bit
Tape measure
Drill (hammer drill recommended)
Hammer
Level

Installation Steps

Before installing: Make sure the floor is strong enough to accommodate the rack fully loaded with bikes. Compare parts shipped with rack to parts list. Call Dero if any parts are missing.

- 1** Stand the (2) uprights parallel to each other and 48" apart on-center.
- 2** Attach the Bike File to the Floor Mount assembly by securing the Channel Trolley Supports to the uprights with 1/2" x 3" bolts.
- 3** Follow the installation instructions for the basic Bike File unit to complete the assembly.
- 4** Position Single-sided Floor Mount Assembly and anchor the uprights to the floor with the appropriate anchors.

