



DERO

BOLLARD

- *Small, unobtrusive design*
- *Controls traffic flow*
- *Inexpensive*

Keep unwanted vehicle traffic from designated areas using our traffic bollards. Dero Bollards are ideally suited for pedestrian zones, biking and hiking paths, government buildings, schools, and anywhere that needs traffic flow restrictions.

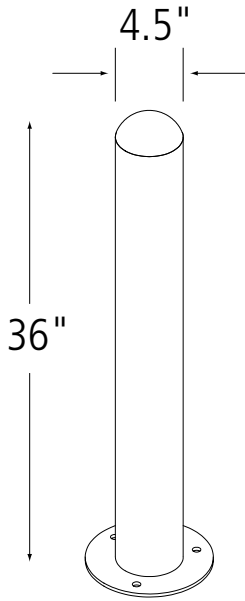


www.dero.com

1.800.298.4915



Printed on recycled paper



Product

Dero Bollard
As manufactured by Dero Bike Racks

Materials



4.5" OD Sched. 40 Pipe

Finishes



An after fabrication hot dipped galvanized finish is our standard option. 250 TGIC powder coat colors, a thermoplastic coating, a PVC dip, and a stainless steel finish are also available as alternate options.

Our powder coat finish assures a high level of adhesion and durability by following these steps:

1. Sandblast
2. Epoxy primer electrostatically applied
3. Final thick TGIC polyester powder coat

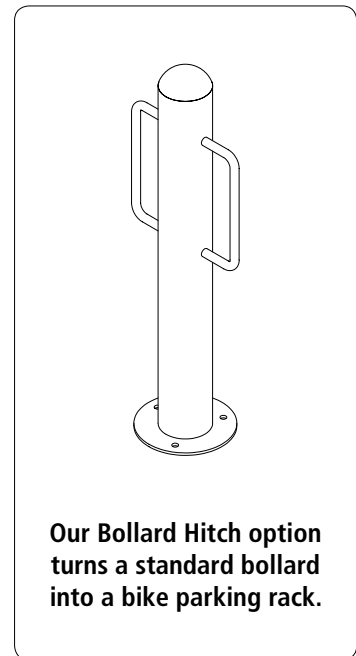
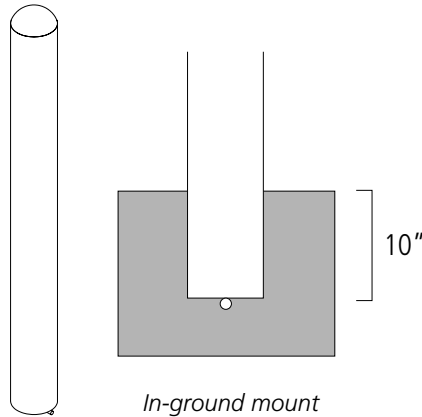
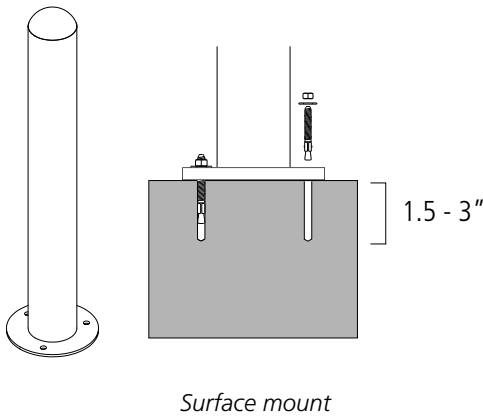
Stainless Steel: 304 grade stainless steel material finished in either a high polished shine or a satin finish.

Installation Methods



In ground mount is embedded into concrete base. Specify In Ground Mount for this option.

Foot Mount has 8.5" circular foot with three anchors per foot. Specify Foot Mount for this option.





DERO

BOLLARD HITCH

- *Small, unobtrusive design*
- *Controls traffic flow*
- *Parks two bikes*

The Dero Bollard Hitch serves all the purposes of our standard bollard with the added bonus of giving bicyclists a place to secure their bikes. Besides restricting unwanted vehicles from accessing a designated area, each Dero Bollard Hitch securely accommodates two bicycles.

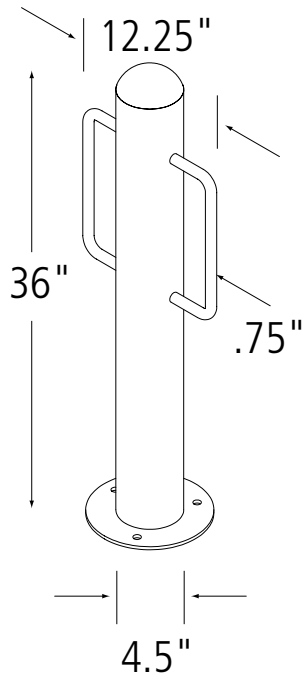


www.dero.com

1.800.298.4915



Printed on recycled paper



Product Dero Bollard Hitch
As manufactured by Dero Bike Racks

Capacity 2 Bikes

Materials 4.5" OD Sched. 40 Pipe
Arms: 3/4" diameter solid bar

Finishes An after fabrication hot dipped galvanized finish is our standard option. 250 TGIC powder coat colors, a thermoplastic coating, a PVC dip, and a stainless steel finish are also available as alternate options.

Our powder coat finish assures a high level of adhesion and durability by following these steps:

1. Sandblast
2. Epoxy primer electrostatically applied
3. Final thick TGIC polyester powder coat

Stainless Steel: 304 grade stainless steel material finished in either a high polished shine or a satin finish.

Installation Methods

In ground mount is embedded into concrete base. Specify In Ground Mount for this option.

Surface Mount has 8.5" circular foot with three anchors per foot. Specify Foot Mount for this option.

