



DERO

## DUPLEX

- *Two-tier bike storage*
- *Single or double sided options*
- *No moving parts*

The Dero Duplex doubles the capacity of your bike parking area with secure, efficient, and orderly storage. Its staggered design means that bikes enter and exit easily without entanglement. Sturdy trays with high sides keep bikes from slipping off while loading or unloading and also make the Duplex compatible with most standard u-locks.

Up with bikes!

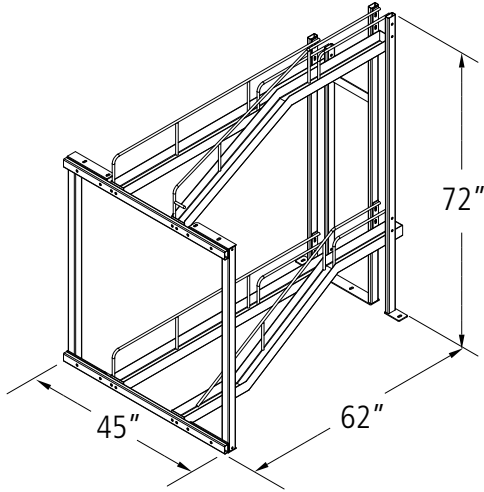


[www.dero.com](http://www.dero.com)

1.800.298.4915



Printed on recycled paper

**Product**

Dero Duplex  
As manufactured by Dero Bike Racks

**Capacity**

Modular 2-Tiered System in sections of 4, 8, 12, 16 or 24.  
One bike per upper tray, one bike per lower tray.

**Materials**

Front uprights: 2" 14g square tube  
Rear uprights: 2" x 1" 14g tube  
Upright base: 3/16" plate  
Crossbar: 2" x 1" 14g tube  
Bike trays: 14g plate  
Bike tray supports: 1/2" round bar

**Finishes**

An after fabrication hot dipped galvanized finish is our standard option. 250 TGIC powder coat colors, and a thermoplastic coating, are also available as alternate options.

Our powder coat finish assures a high level of adhesion and durability by following these steps:

1. Sandblast
2. Epoxy primer electrostatically applied
3. Final thick TGIC polyester powder coat

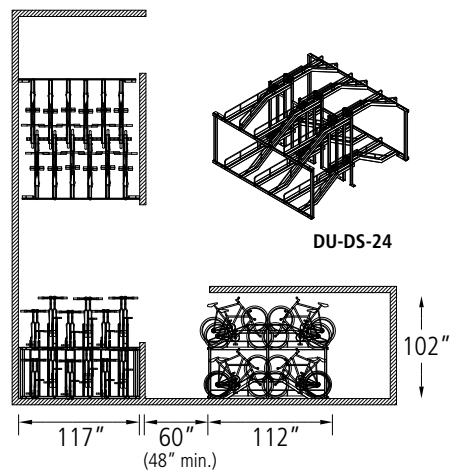
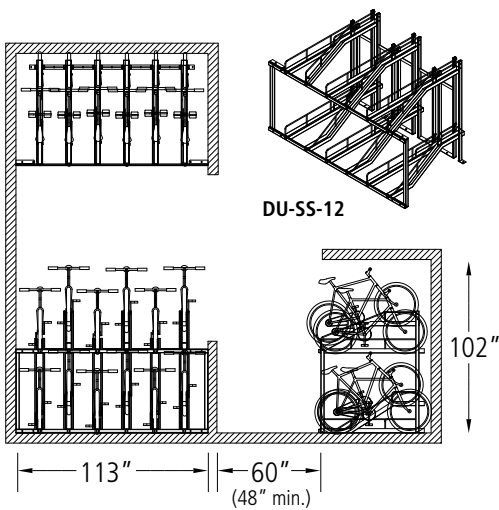
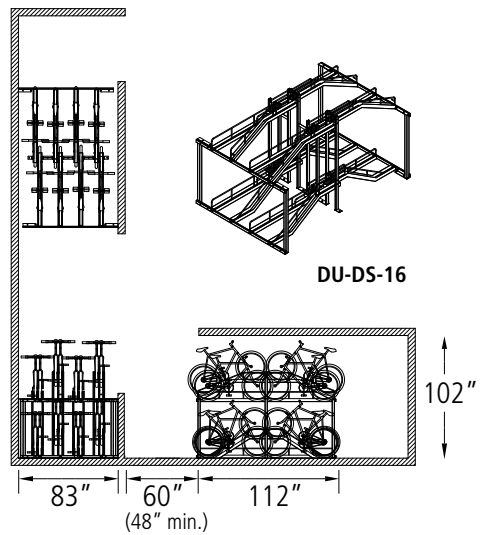
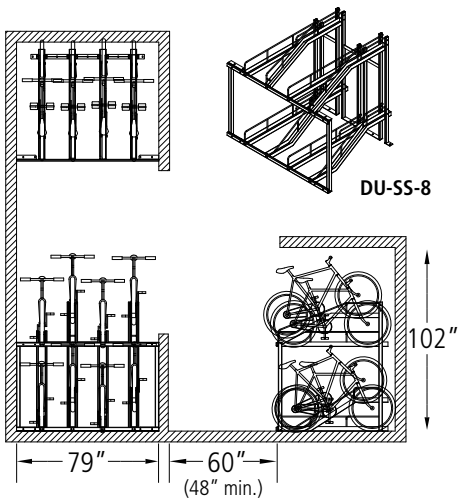
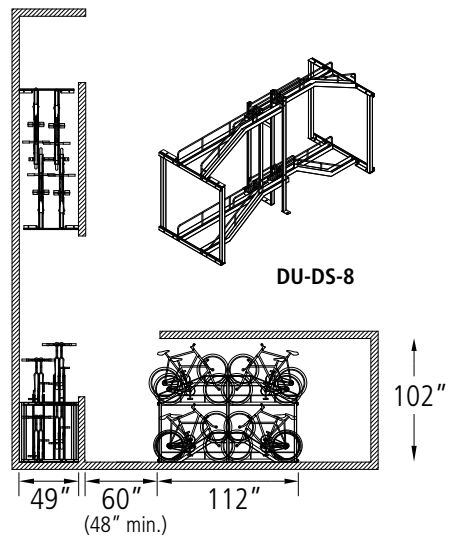
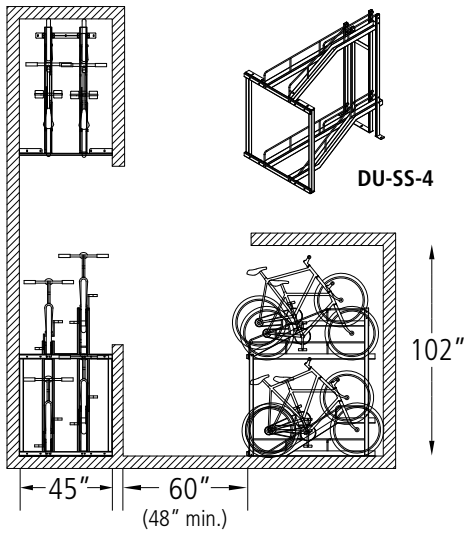
**Installation Methods**

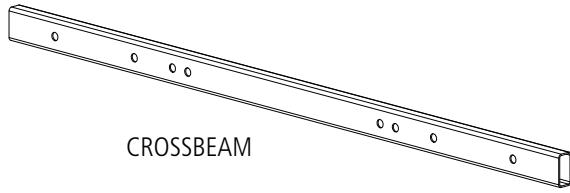
Each upright has 3/16" plate feet that accept 3/8" wedge anchors. Units may also be installed freestanding.

**Space Use and Setbacks****Space Use:**

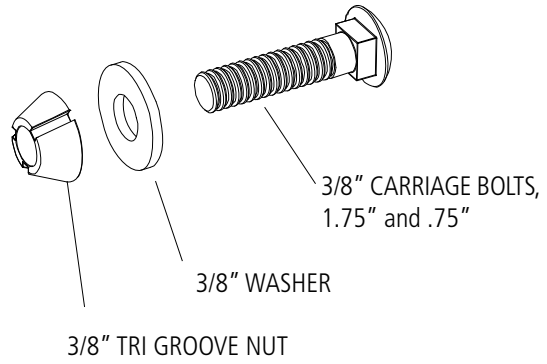
See diagrams on following page







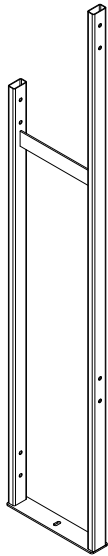
CROSSBEAM



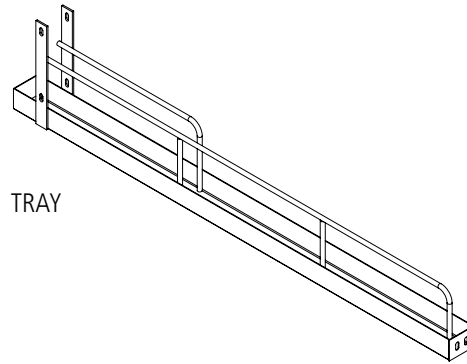
3/8" CARRIAGE BOLTS,  
1.75" and .75"

3/8" WASHER

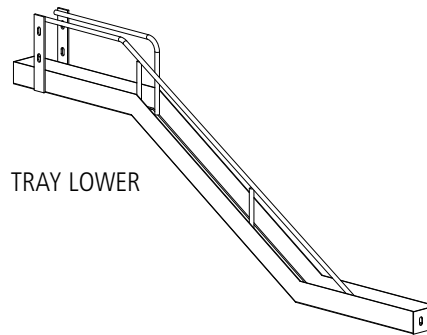
3/8" TRI GROOVE NUT



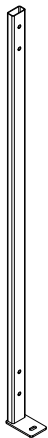
UPRIGHT REAR



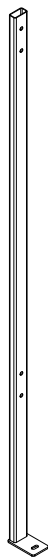
TRAY



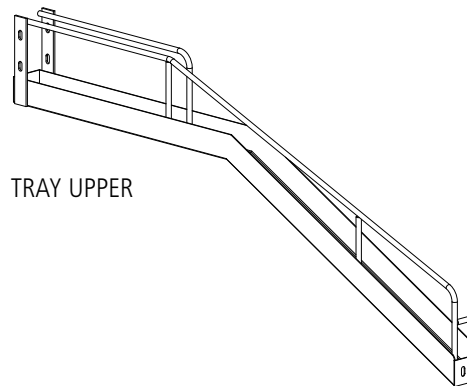
TRAY LOWER



UPRIGHT REAR  
TERMINAL SHORT



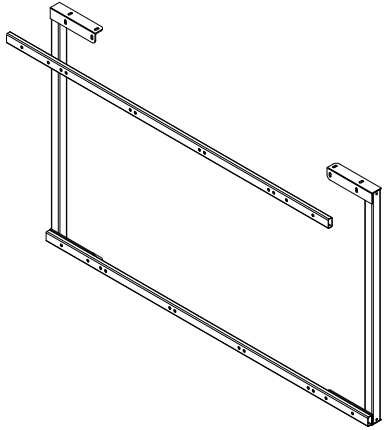
UPRIGHT REAR  
TERMINAL TALL



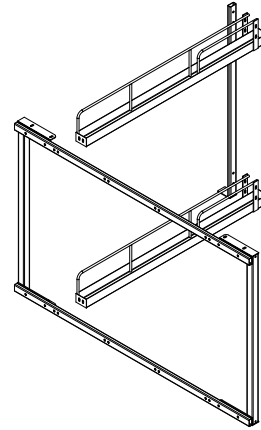
TRAY UPPER



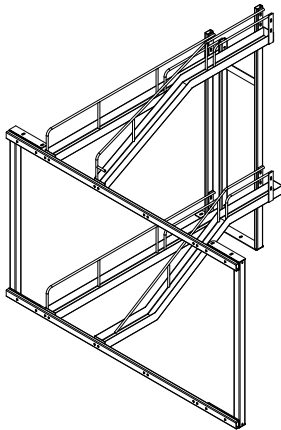
- 1** Assemble the UPRIGHTS and CROSS BEAMS using 1.75" carriage bolts, washers, and nuts. Make sure the assembly is square.



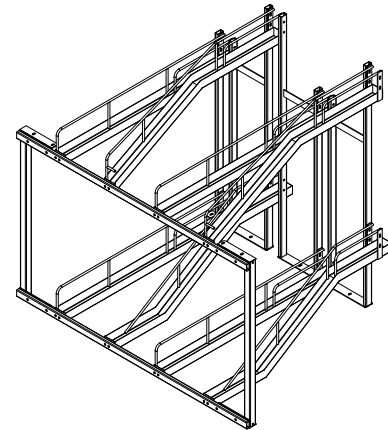
- 2** Add a TRAY to the lower position first. Then add the UPRIGHT REAR TERMINAL SHORT and TRAY in the upper position.



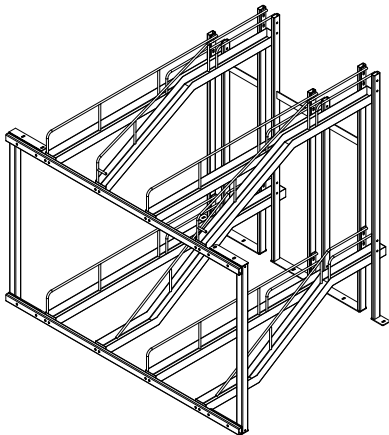
- 3** Add an UPRIGHT REAR and a TRAY LOWER followed by a TRAY UPPER.



- 4** Continue adding TRAYS and UPRIGHT REARS.



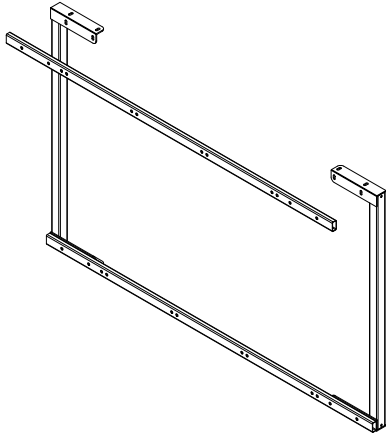
- 5** Finish by ending with an UPRIGHT REAR TERMINAL TALL.



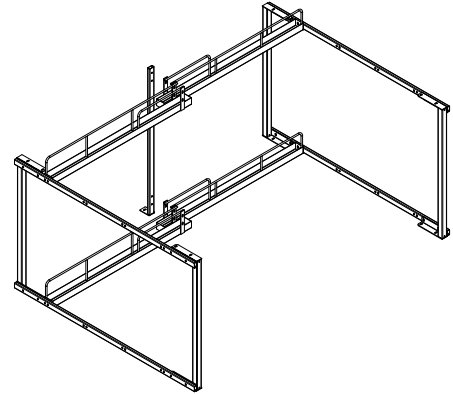
- 6** The Duplex assembly may be left freestanding or anchored to the ground with a variety of 3/8" fasteners.



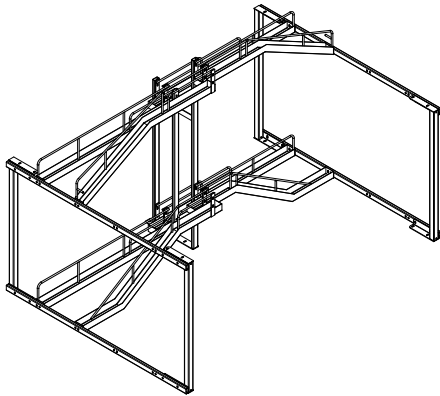
- 1** Assemble the UPRIGHTS and CROSS BEAMS using 1.75" carriage bolts, washers, and nuts. Make sure the assembly is square



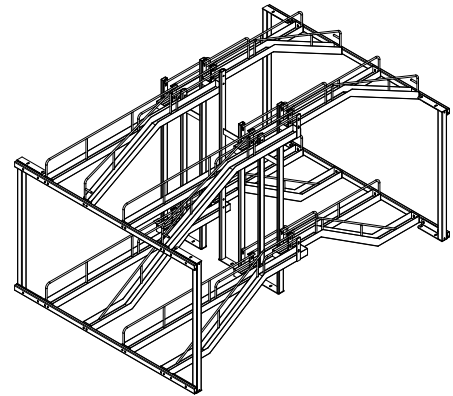
- 2** Add two TRAYS to the lower positions first. Then add the UPRIGHT REAR TERMINAL SHORT and two TRAYS in the upper positions.



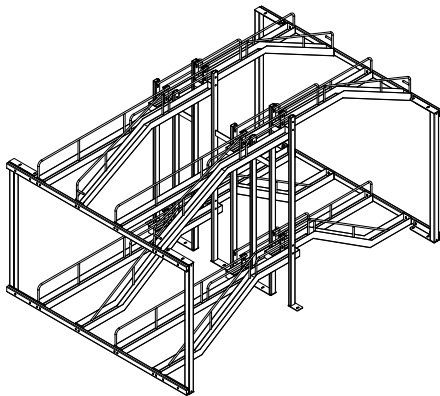
- 3** Add an UPRIGHT REAR DOUBLE and two TRAY LOWERS followed by two TRAY UPPERS.



- 4** Continue adding TRAYS and UPRIGHT REAR DOUBLES.



- 5** Finish by ending with an UPRIGHT REAR TERMINAL TALL.



- 6** The Duplex assembly may be left freestanding or anchored to the ground with a variety of 3/8" fasteners.

