

DERO **T**RANSIT RACK

- *Make your transit system multi-modal*
- *Simple designs are secure and easy to use*
- *Customizable for nearly any transit vehicle*

The Dero Transit Rack integrates with virtually any train car or bus to make them more bike-friendly. Increased safety and space efficiency are two great reasons to include the vertical, secure storage of the Dero Transit Rack into your system. Dero's team works on each project individually to ensure a solid and seamless fit to your specific bus or train model. Final designs are easy to use, simple in form, and secure.

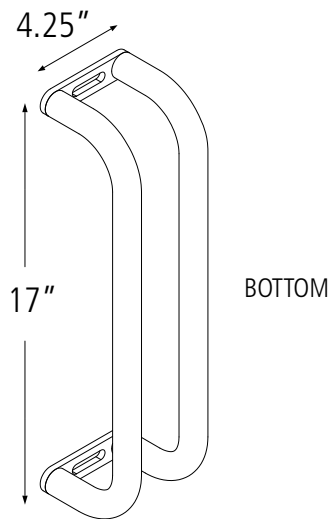
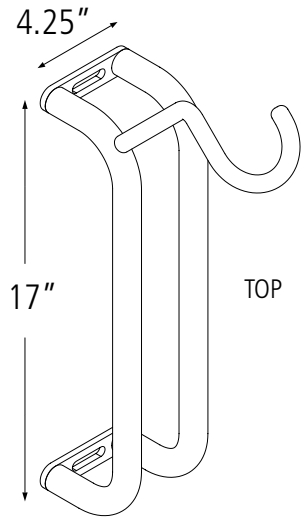


www.dero.com

1.800.298.4915



Printed on recycled paper



Finished, customized designs will vary from this basic model.

Product

Dero Transit Rack
As manufactured by Dero Bike Racks

Materials

1" 14g stainless steel tube.
1/4" stainless steel mounting flanges.
5/8" stainless steel bar wheel hook.

Finishes

Passivated satin stainless finish

Installation Methods

Installation methods vary by the vehicle. 1/4" flanges for 3/8" hardware are standard and custom attachments are available.

Space Use and Setbacks

Transit Racks may be spaced 16" apart if the heights are staggered and 26" if the heights are equal. As each Transit Rack design is customized to your vehicle, installation heights and spacing will vary.

