



DERO WALL RACK

- *u-lock compatible*
- *parks two bikes*
- *installs to most wall types*

The Dero Wall Rack is a secure bike hanger that hangs two bikes parallel to the wall. It was designed in cooperation with property managers who wanted to place high security bicycle hangers in individual tenants' car parking stalls. This rack enables property managers to provide tenants with superior bike storage without having to make separate space for dedicated bike parking. Bike owners like this option as well for garage and home storage.


The rubber coating keeps bikes from getting scratched. Two bikes can be hung up and locked securely, as the Dero Wall Rack is fully u-lock compatible. The Dero Wall Rack keeps bikes off the ground and out of the way, and provides a secure, space-efficient way to store them.

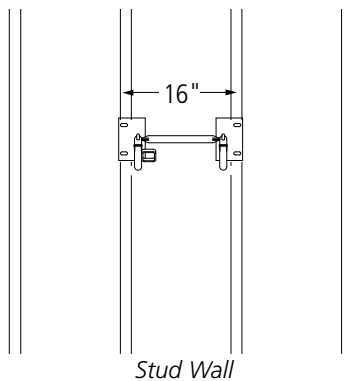
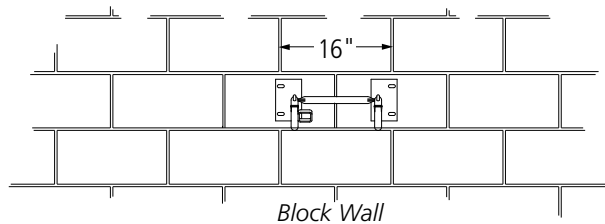
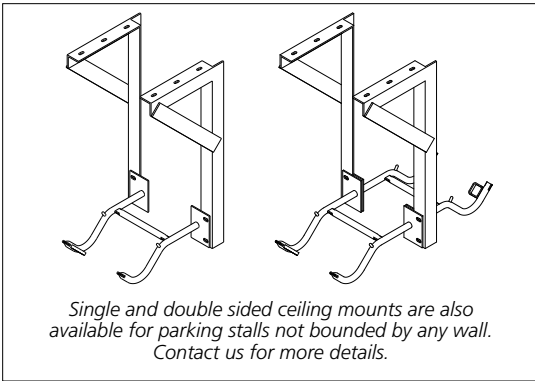
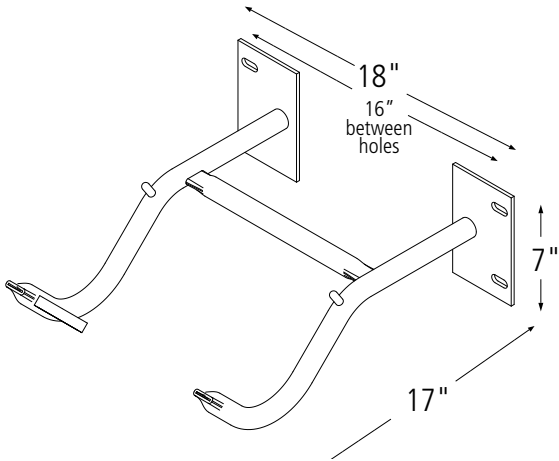


 www.dero.com

1.800.298.4915



 Printed on recycled paper



Product Dero Wall Rack
As manufactured by Dero Bike Racks

Capacity 2 Bikes

Materials 1" OD 11 gauge tube



Finishes Black Rubber Dip (plastisol)

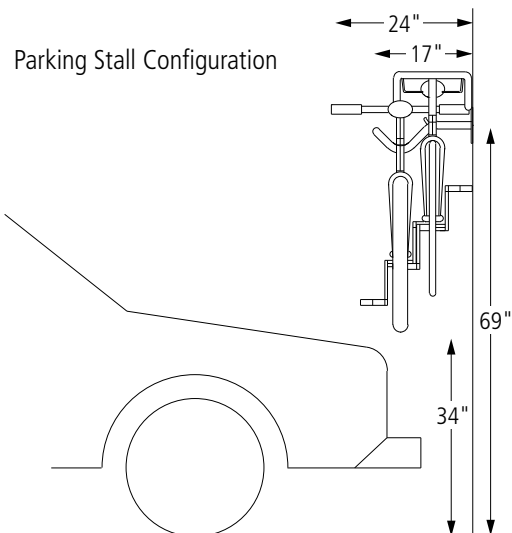
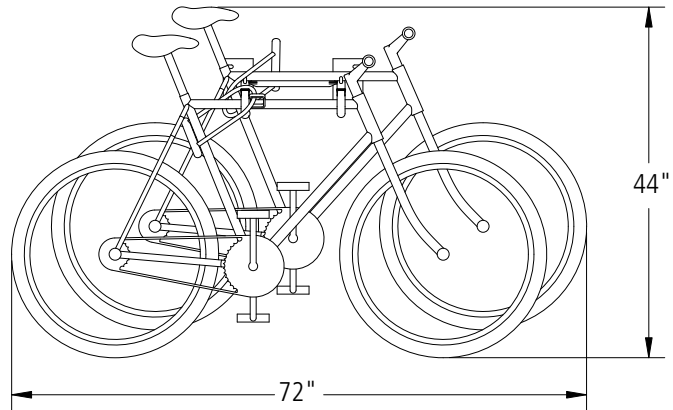


Other colors available by special order (minimum orders apply)

Installation Methods Flange mount has two 3.75"x6" foot plates set 16" apart with 4 fasteners. Can be set into concrete block, solid concrete, bricks, wood studs and other base materials



Space Use and Setbacks When loaded with bikes, the Wall Rack will use the approximate space shown in the diagram below.



Tools Needed for Installation

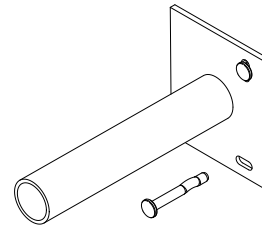
Tape Measure
 Marker or Pencil
 Masonry Drill Bit
 Drill (Hammer drill recommended)
 Hammer
 Wrench or ratchet 9/16"
 Level

Recommended Base Materials:

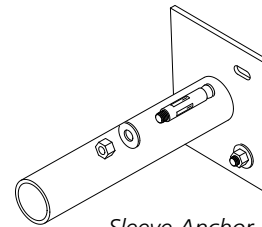
Solid concrete is the best base material. Brick, block, and wood stud walls may be acceptable. Metal stud walls are not an acceptable material for installation. Before installing make sure nothing is behind the wall that could be damaged by drilling and that the base material is strong enough to support a fully loaded rack. Tell your Dero representative what kind of base material you are installing the Wall Rack into so the proper anchors can be shipped with the rack.

Installation:

3/8" anchors are shipped with the rack. Place the rack in the desired location. Use a marker or pencil to outline the holes of the flange onto the base material. Drill the holes in accordance with the specifications shipped with the anchors. Make sure the holes are at least 3" away from any cracks in the base material.



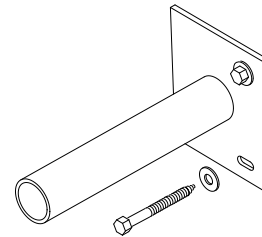
Concrete Spike



Sleeve Anchor



Titen Anchor



*Lag Screw
(wood install)*

Tamper Resistant Fasteners

The concrete spike is a permanent anchor. The top of the wedge anchor can also be pounded sideways after installation so that it cannot be removed. Other tamper resistant fasteners are also available for purchase.

When using the special tamper resistant nuts, always set and first tighten the anchors. Once the rack is installed, replace two nuts from the bracket (opposite sides from each other) with the tamper resistant fastener. DO NOT OVERTIGHTEN the tamper resistant nut.



Breakaway Nut



Stainless Tamper-Proof Nut



Triple-slot Nut



Concrete Spike



If you have any questions about installation or other features of the Wall Rack, please call us toll free at 1-800-298-4915



Tools Needed for Installation:

- 9/16" socket or wrench
- Hammer
- Drill (Hammer drill works best)
- Level
- Marker or Pencil

Installation Steps

- 1** Place rack against wall, lining up the holes with the center of the concrete block. Mark holes and lower rack.
- 2** Drill holes 2" deep with 1/2" diameter drill bit. If installing more than one Wall Rack, mark holes for each rack individually as there may be slight differences in the placement of holes from rack to rack.
- 3** Place rack back into position against wall and tap anchors through holes in the rack and into the wall.
- 4** Tighten anchors

