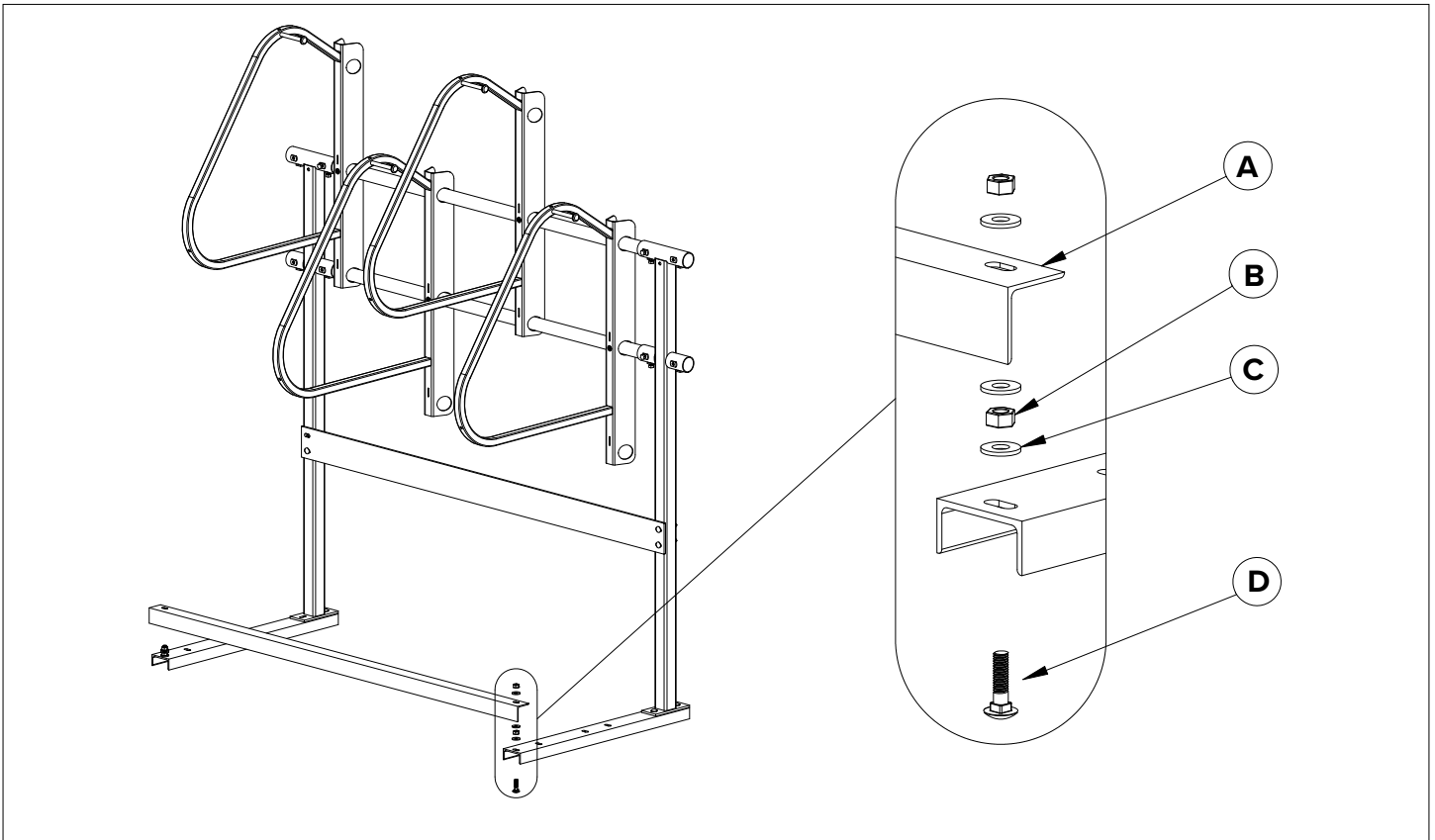


ADA Cane Stop

Ultra Space Saver

The Cane Stop provides a 2" high cane-detectable object beneath the bike hanger arms of the Ultra Space Saver for improved safety. Install the ADA Cane Stop on the Ultra Space Saver as directed below.

Installation



A Cane Stop



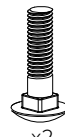
x4

B 3/8" Nut



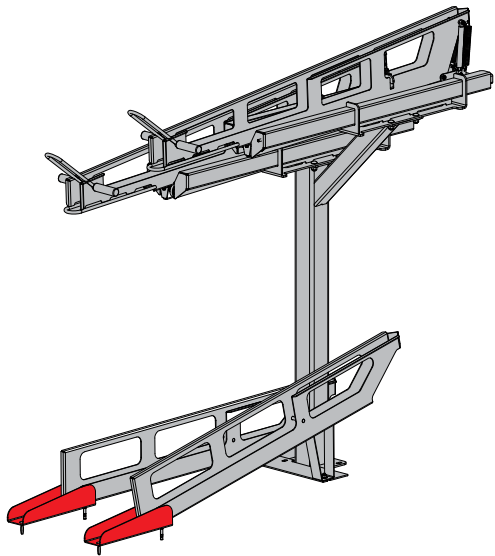
x6

C 3/8" Washer



x2

D 3/8" x 1.5" Carriage Bolt

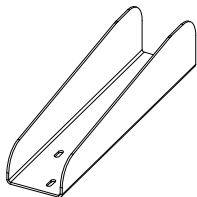
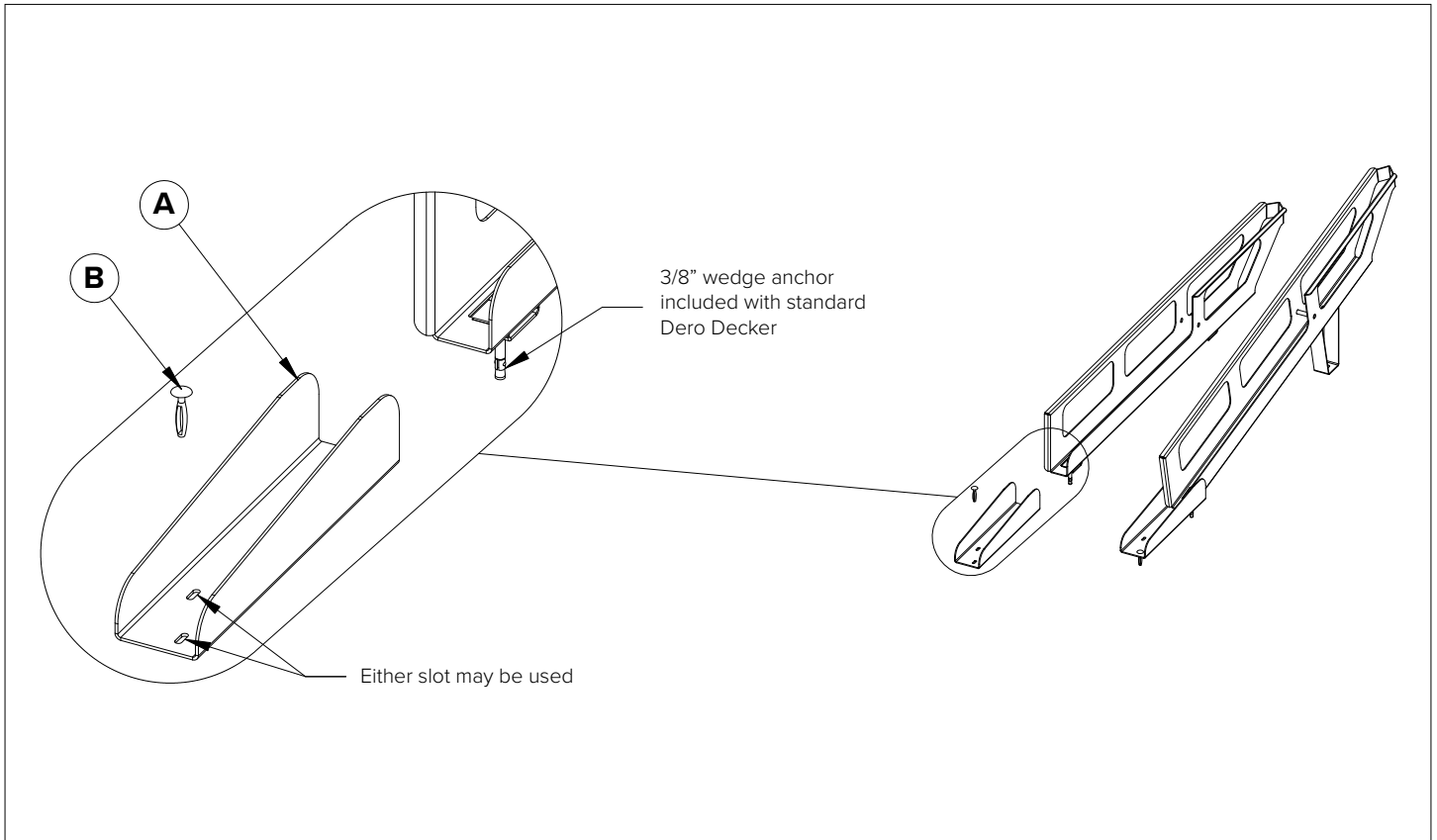


ADA Cane Stop

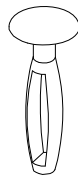
Dero Decker

The Cane Stop provides a 2" high cane-detectable object beneath the full length of the upper tier of the Dero Decker for improved safety. Install the ADA Cane Stop on the Dero Decker as directed below.

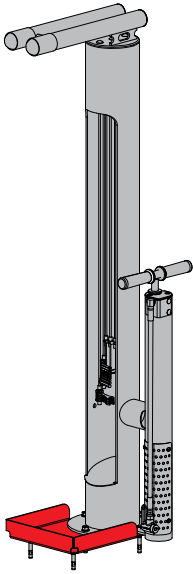
Installation



A Cane Stop



B 1/4" Split Drive Anchor

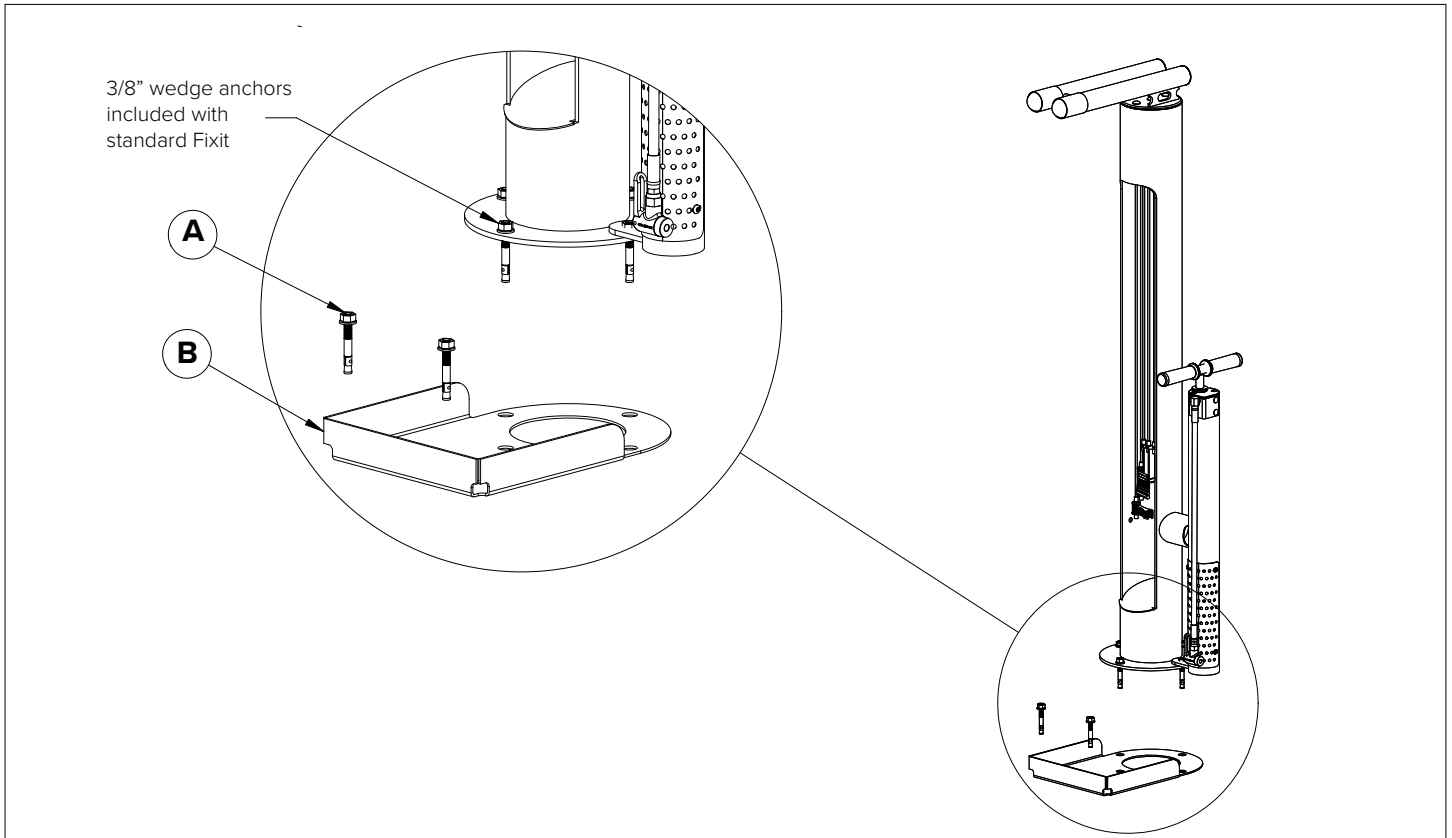


ADA Cane Stop

Fixit

The ADA Cane Stop provides a 2" high cane-detectable object beneath the bike hanger arms of the Dero Fixit for improved safety. Install the ADA Cane Stop on the Fixit as directed below.

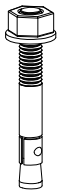
Installation



3/8" wedge anchors
included with
standard Fixit

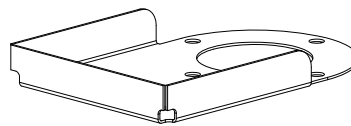
A

B



x2

A 3/8" x 3" Wedge Anchors



B Cane Stop