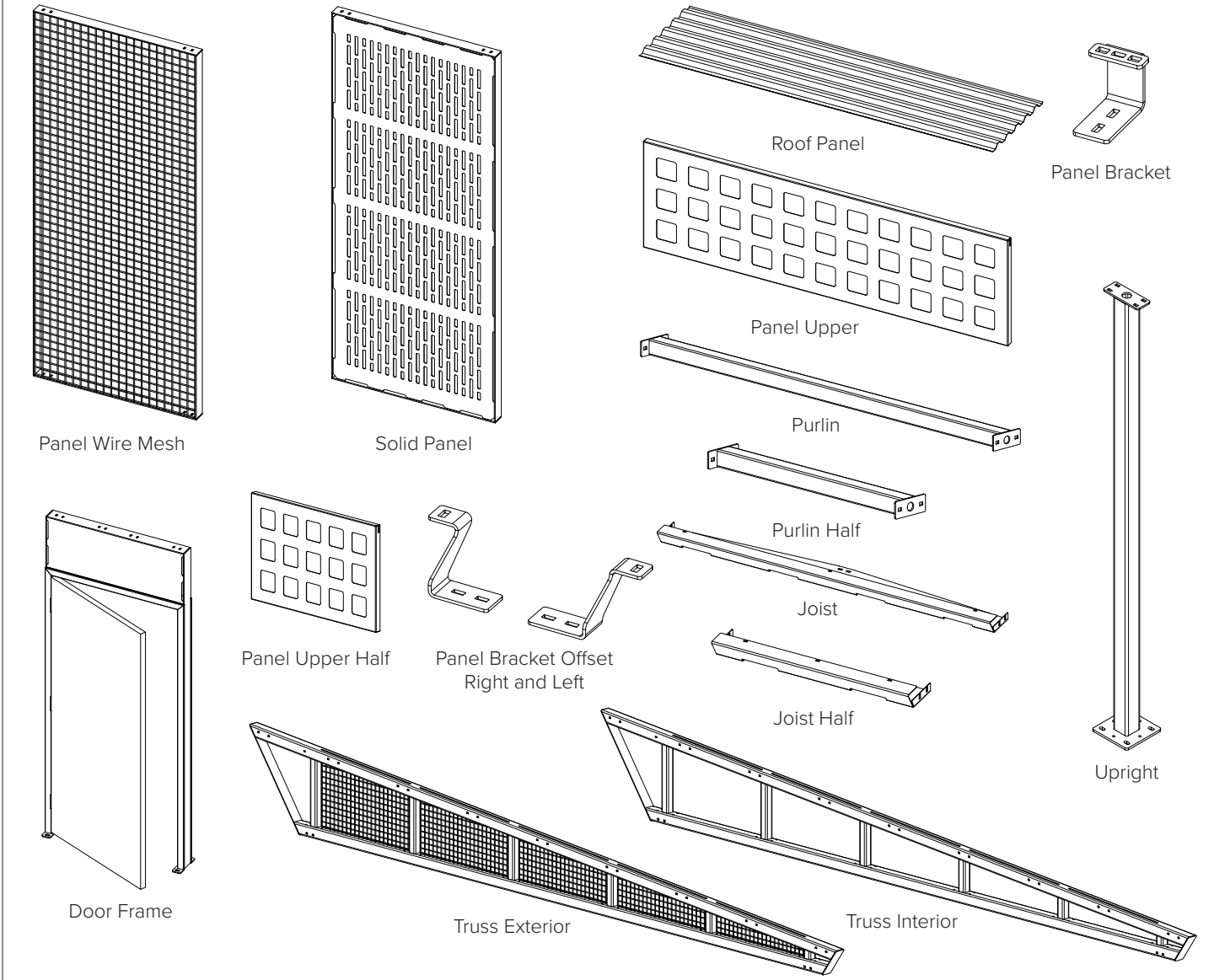
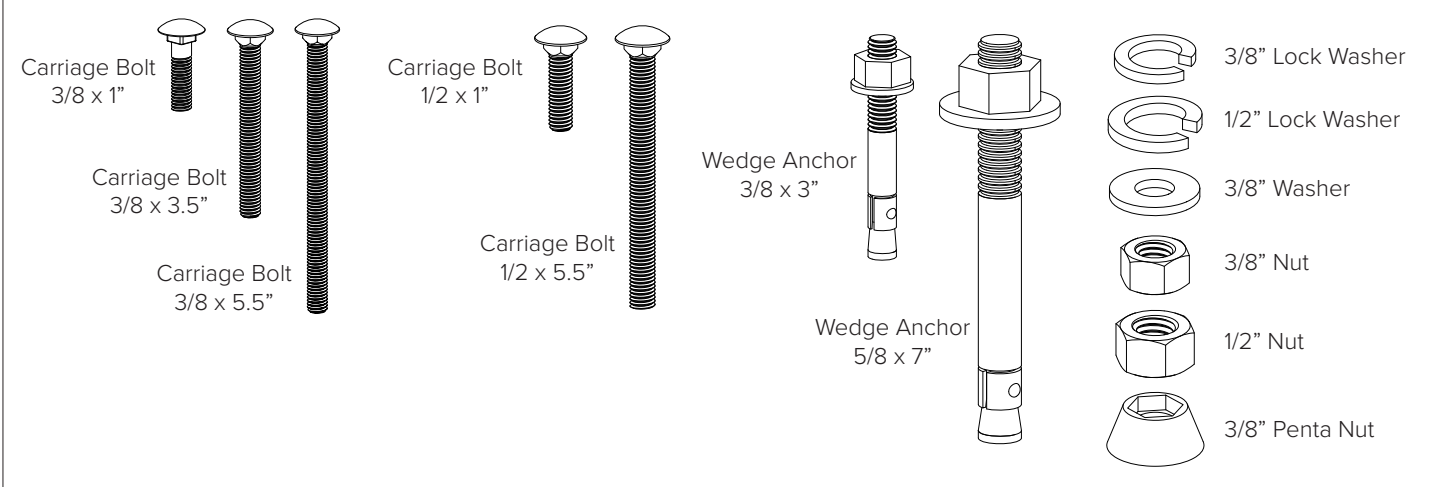


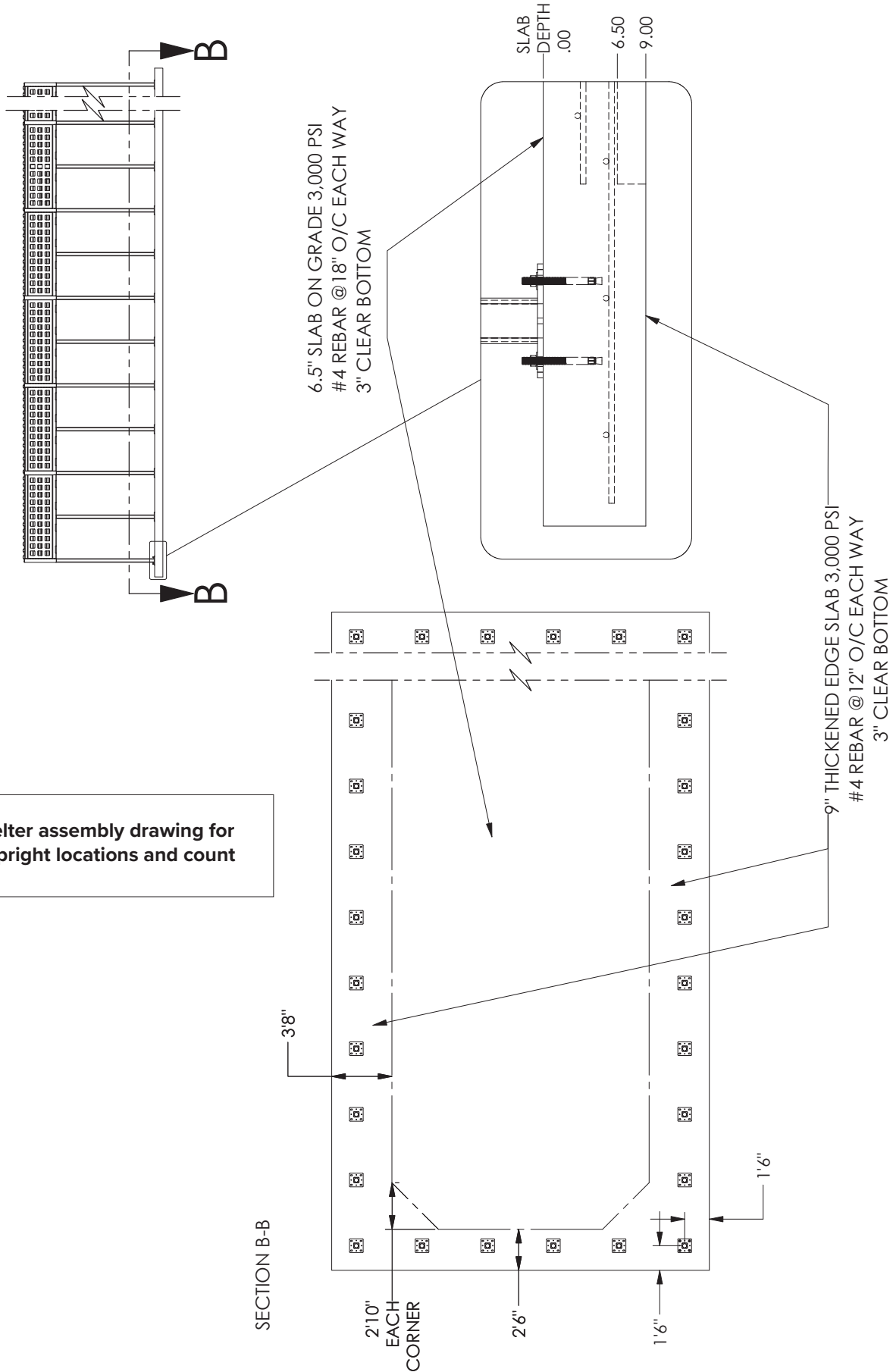
Components



Hardware



See shelter assembly drawing for exact upright locations and count




TOOLS NEEDED

Hammer Drill
 Masonry Bits: 3/8", 5/8"
 Large Hammer
 Level
 Chalk Line
 Tape Measure
 Tall Ladders

Forklift
 Wrenches: 9/16", 3/4", 15/16"
 Socket Wrench with Sockets: 9/16", 3/4", 15/16"
 Drill
 Nut Driver: 5/16"
 Metal Shears (up to 24g steel)

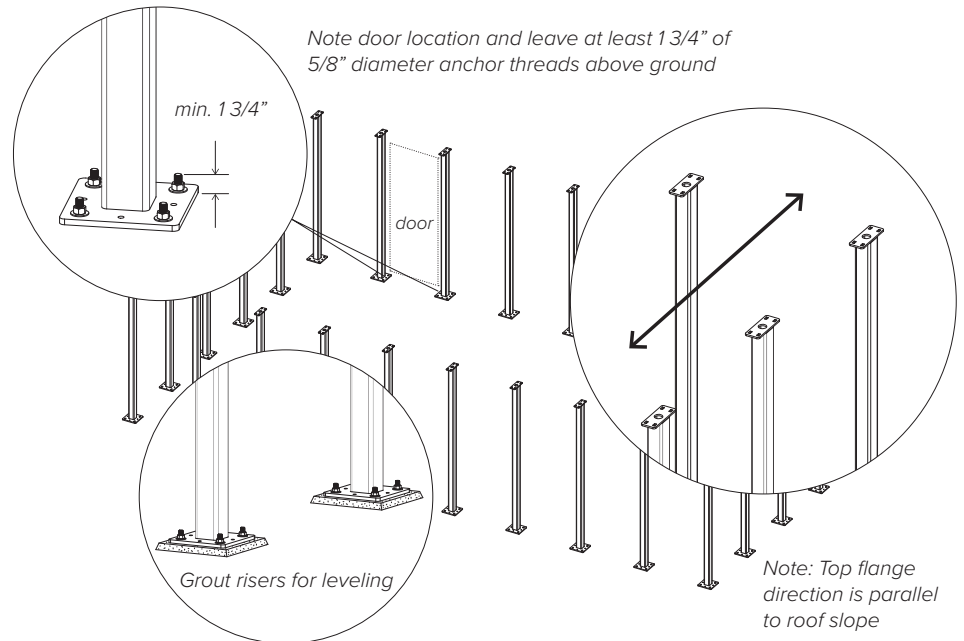
1

Place uprights on concrete foundation (see foundation design drawing).

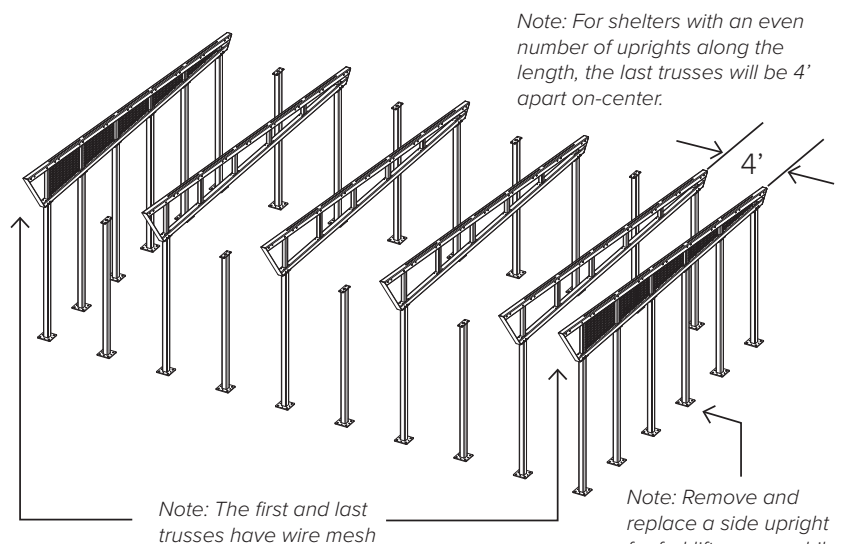
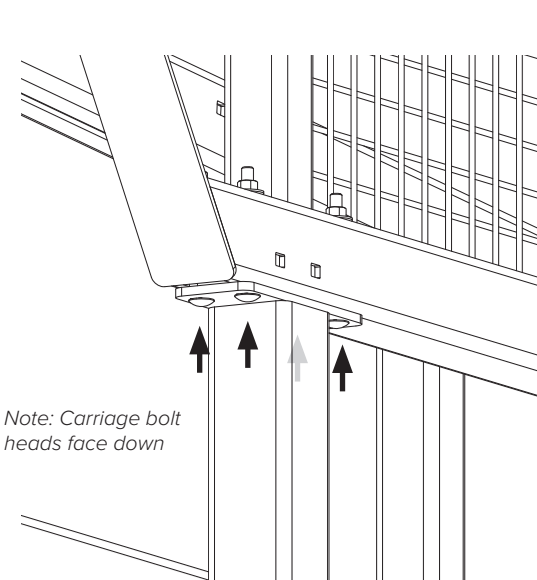
Confirm all uprights are properly spaced and square. All uprights should be at the same elevation; use non-shrink grout risers if needed. Longer anchors may be needed to maintain minimum 4 5/8" concrete embedment.

Using the upright base as a template, drill (4) 5/8" diameter holes at each upright. Install wedge anchors with a minimum embedment of 4 5/8".

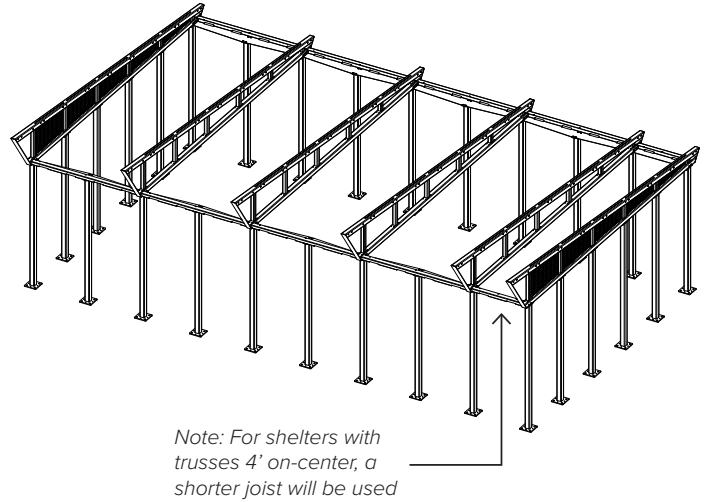
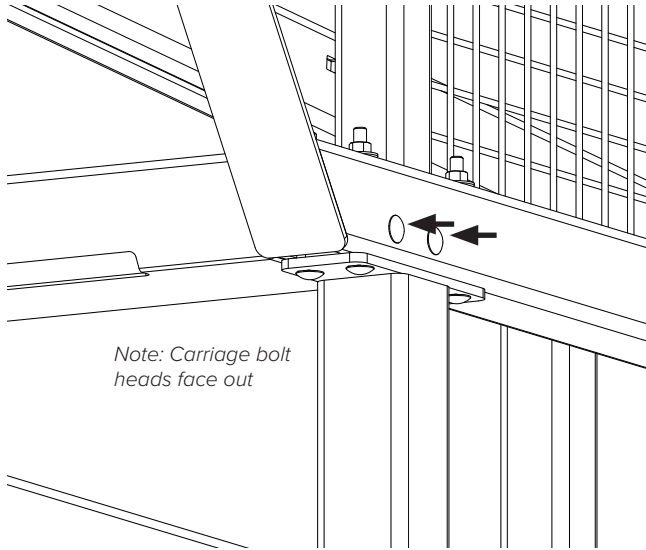
Add nuts and washers and leave finger-tight. See shelter assembly drawing for specific upright placement locations.


2

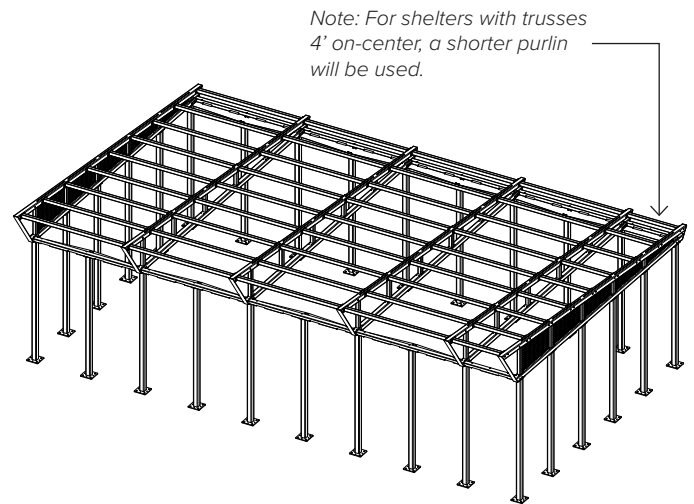
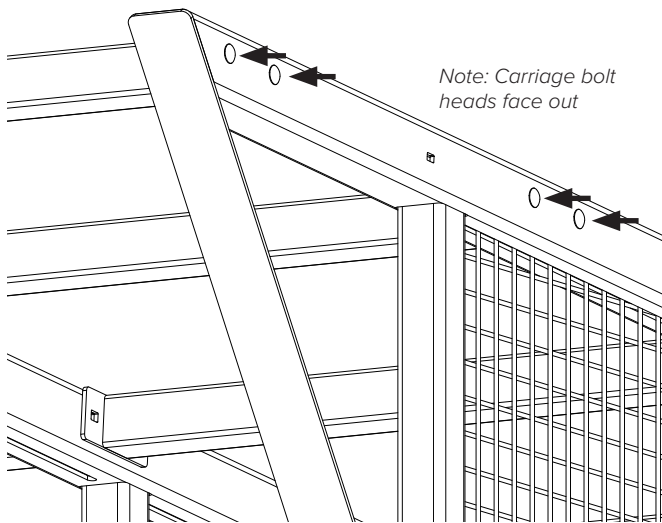
Lift trusses into place and fasten to uprights every 8' with (4) 1/2" x 5 1/2" carriage bolts, lock washers, and nuts at each upright. Leave finger-tight.



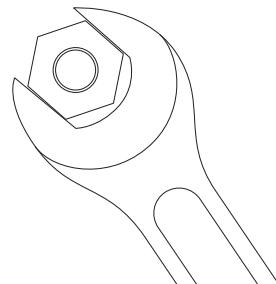
- 3** Attach the joists with (2) 1/2" x 5 1/2" carriage bolts, lock washers and nuts at both ends. Attach the joist to the middle upright with (4) 1/2" x 1 1/2" carriage bolts, lock washers and nuts. Leave finger-tight.



- 4** Attach the purlins with (2) 1/2" x 5 1/2" carriage bolts, lock washers and nuts at both ends. Leave finger-tight.

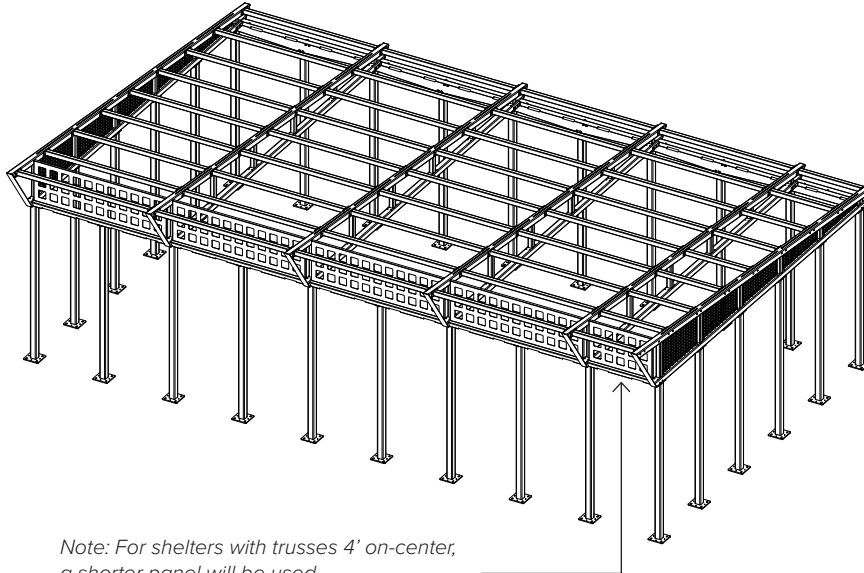


- 5** Tighten all fasteners:
- Confirm spacing of upright bases and tighten wedge anchors. All uprights are 48" on-center.
 - Tighten bolts at upright tops and trusses.
 - Tighten bolts at purlins and trusses.
 - Tighten bolts at joist ends and trusses.
 - Tighten bolts at remaining upright tops and joists.



6

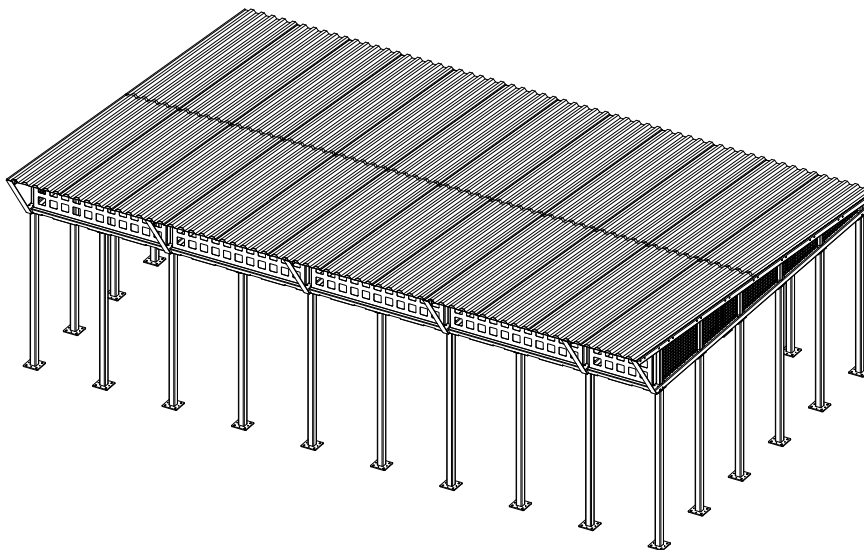
Attach the upper panels to the trusses with (2) 3/8" x 5 1/2" carriage bolts, lock washers and nuts at both top ends. Attach to the joists with (3) 3/8" x 1" carriage bolts, lock washers and nuts at bottom.



Note: For shelters with trusses 4' on-center, a shorter panel will be used.

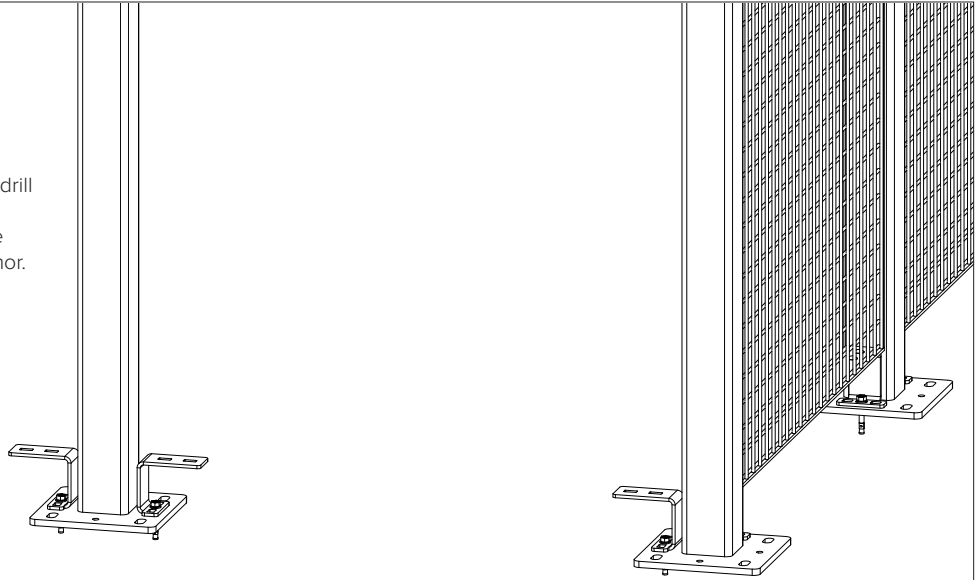
7

Attach roof panels with manufacturer's instructions.

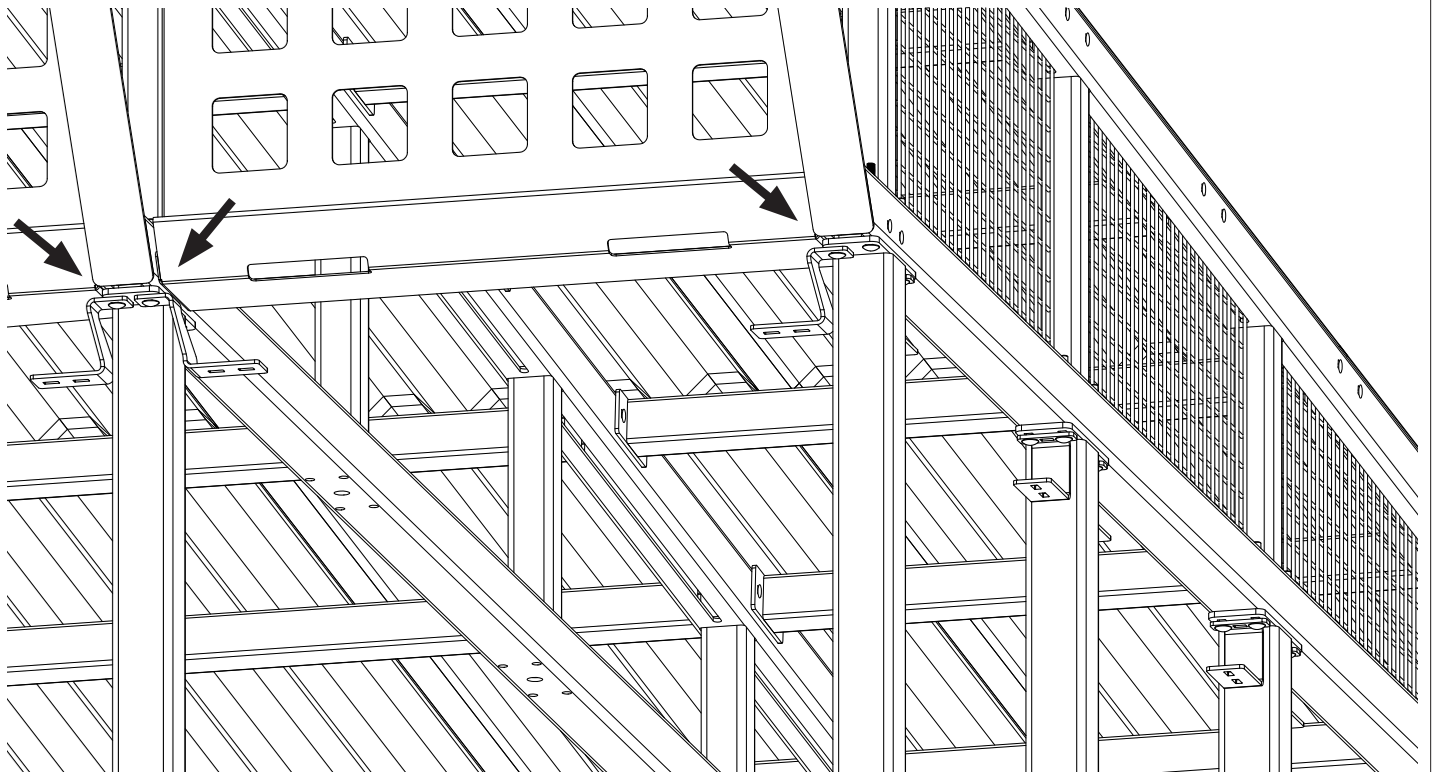


1

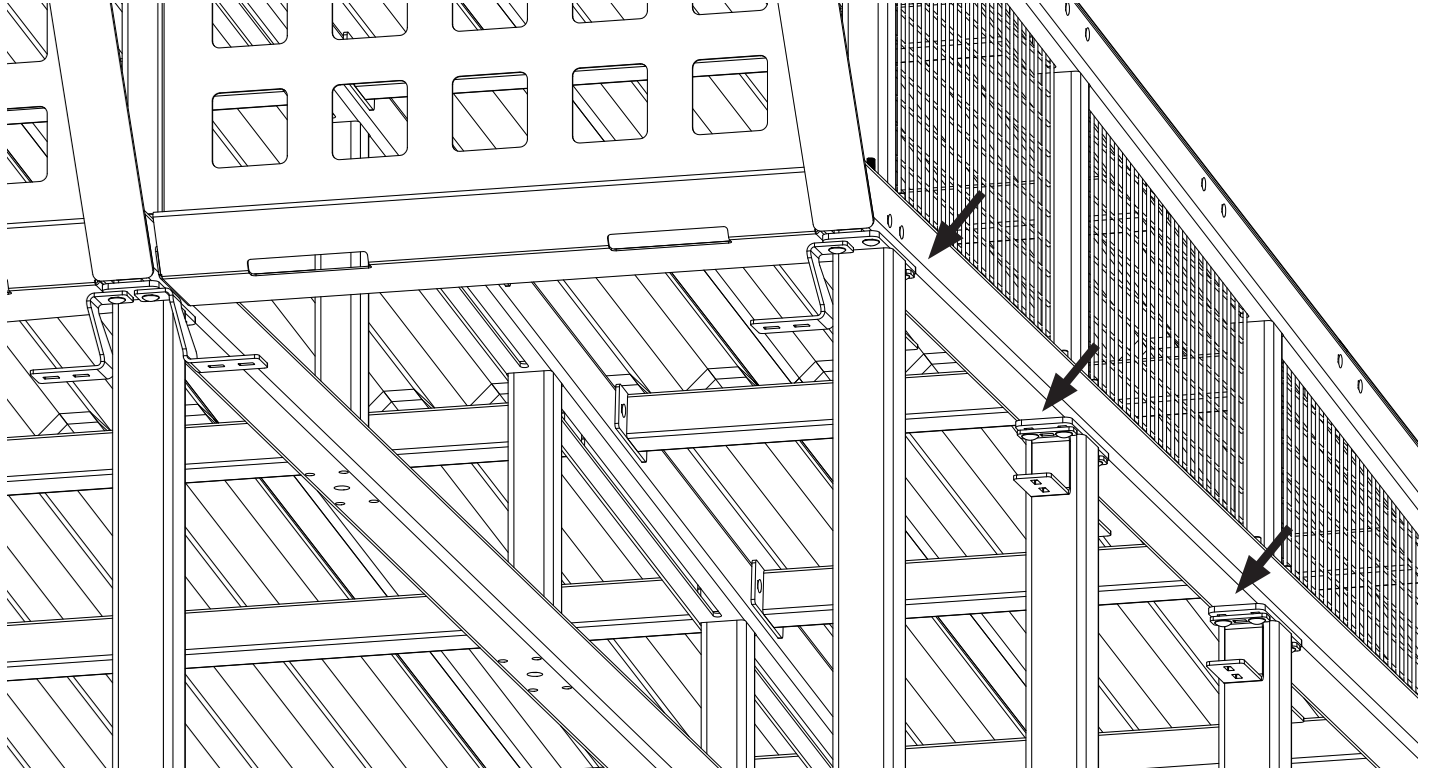
At every location a panel is to be installed, drill a 3/8" dia. hole in the concrete through the existing hole in the upright base. Attach the panel brackets with a 3/8" x 3" wedge anchor.

**2**

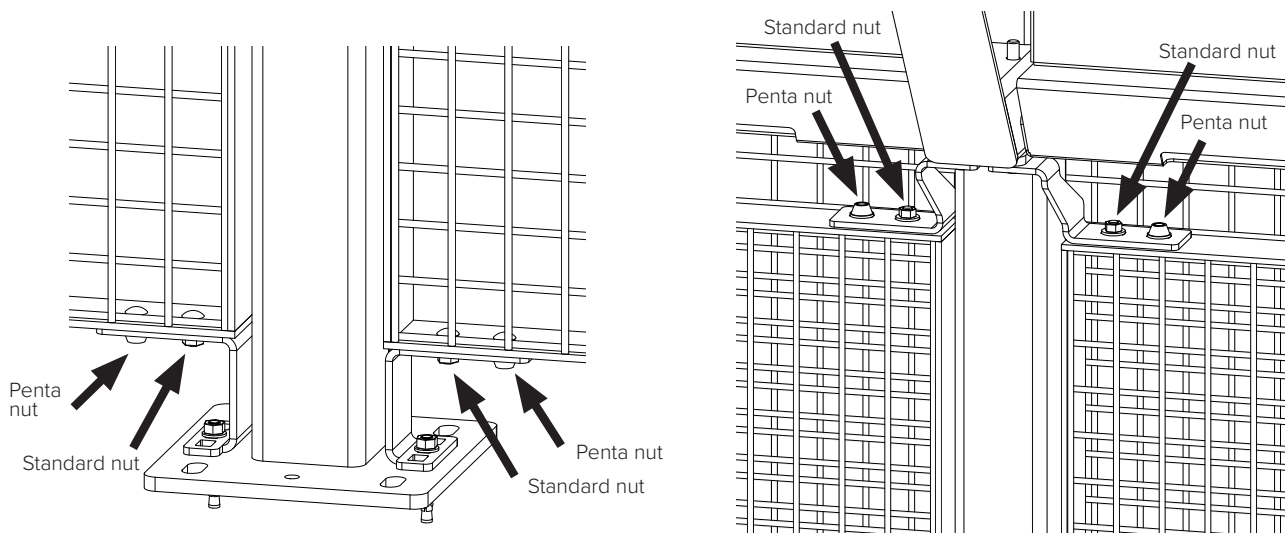
At every location a panel is to be installed on the front or back of the shelter, remove the (2) outer carriage bolts at the top of the uprights and add the offset panel brackets below the upright flanges with the same carriage bolts. The offset brackets angle towards the shelter.



- 3** At every location a panel is to be installed on the sides of the shelter, remove the (4) inner carriage bolts at the top of the uprights and add the panel brackets below the upright flanges with the same carriage bolts.



- 4** Attach panels to each bracket with (2) 3/8" x 1" carriage bolts, washers and nuts. (1) Nut at each bracket will be a Penta nut for security. There are (4) brackets per panel. Typically the panels adjacent to the door(s) will be solid for extra security. Consult the job-specific plan for more detail.

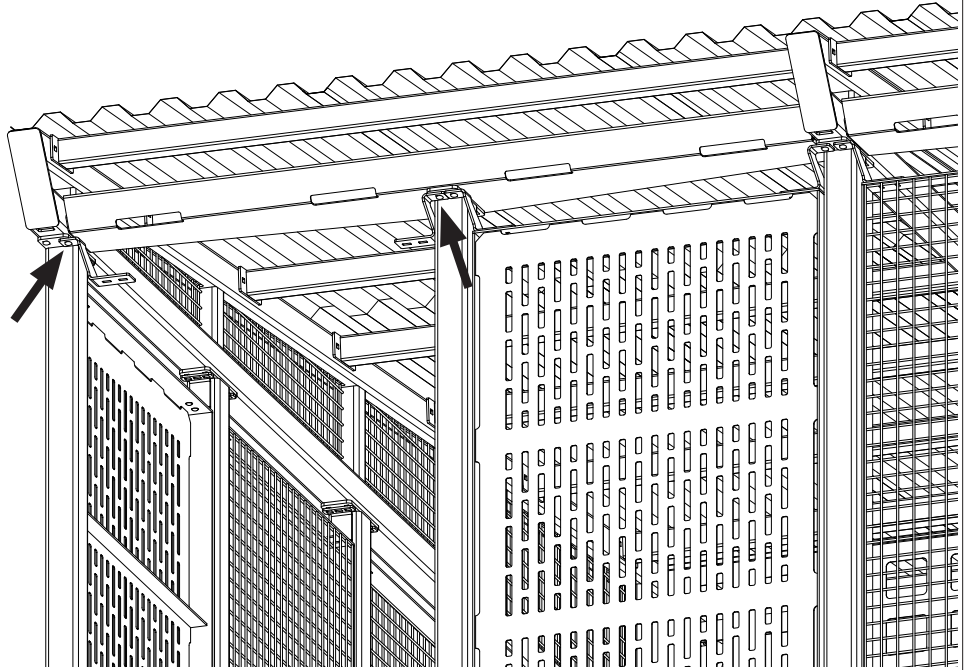




Front or back doors:

A.

At every location a door is to be installed on the front or back of the shelter, remove the (2) outer carriage bolts at the top of the uprights and add the offset panel brackets below the upright flanges with the same carriage bolts. The offset brackets angle towards the shelter.

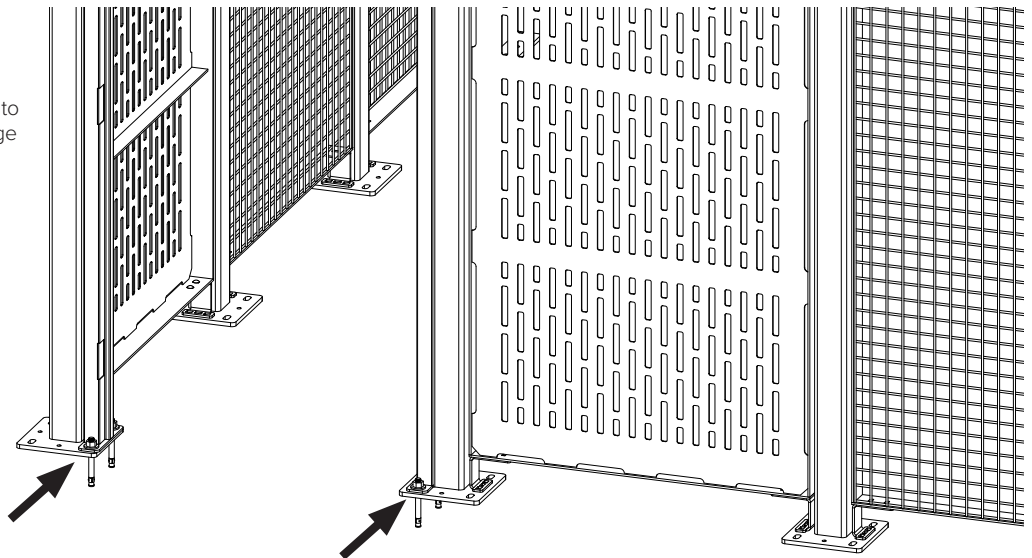


B.

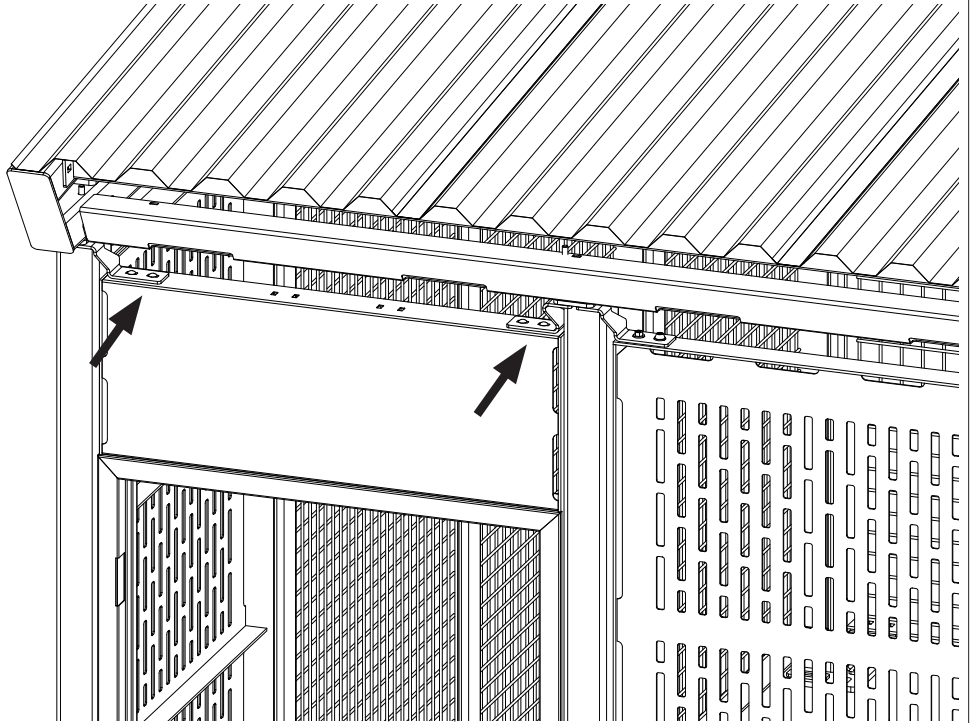
Below these panel brackets, remove the (4) inner 5/8" wedge anchor nuts and washers at the base of the uprights.

C.

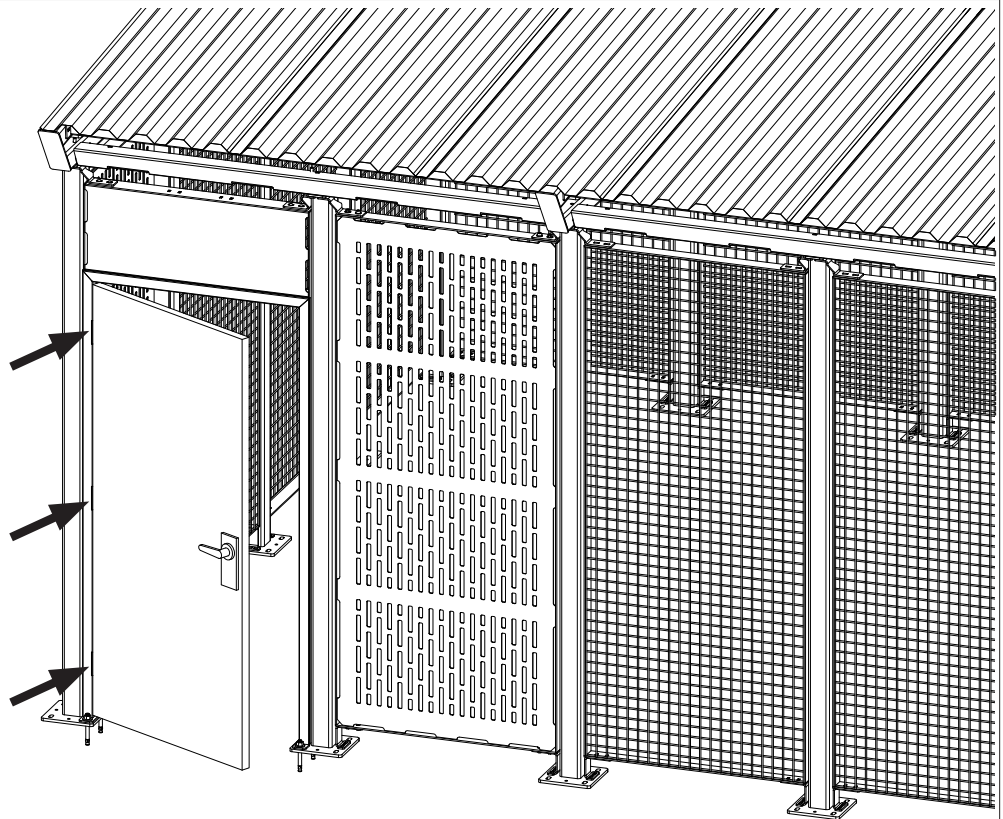
Attach the bottom of the door frame to the upright bases with the 5/8" wedge anchor nuts and washers.



- D.**
Attach the top of the door frame to each bracket with (2) 3/8" x 1" carriage bolts, washers and nuts. (1) Nut at each bracket will be a Penta nut for security.

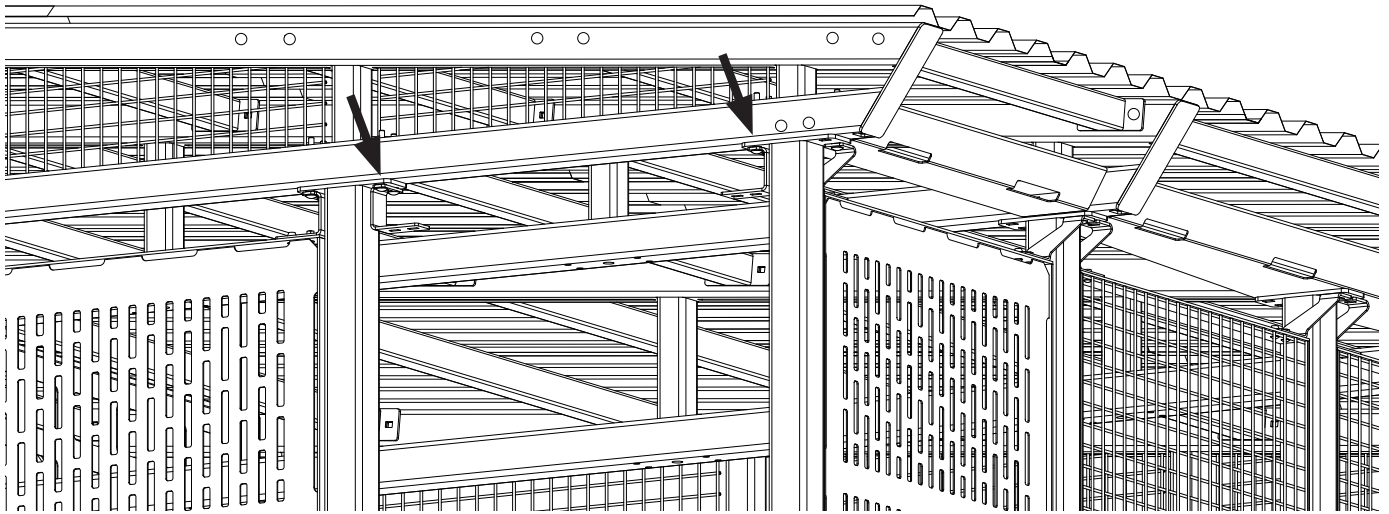


- E.**
Attach the door and hinges to door frame with supplied hardware.



Side doors:**A.**

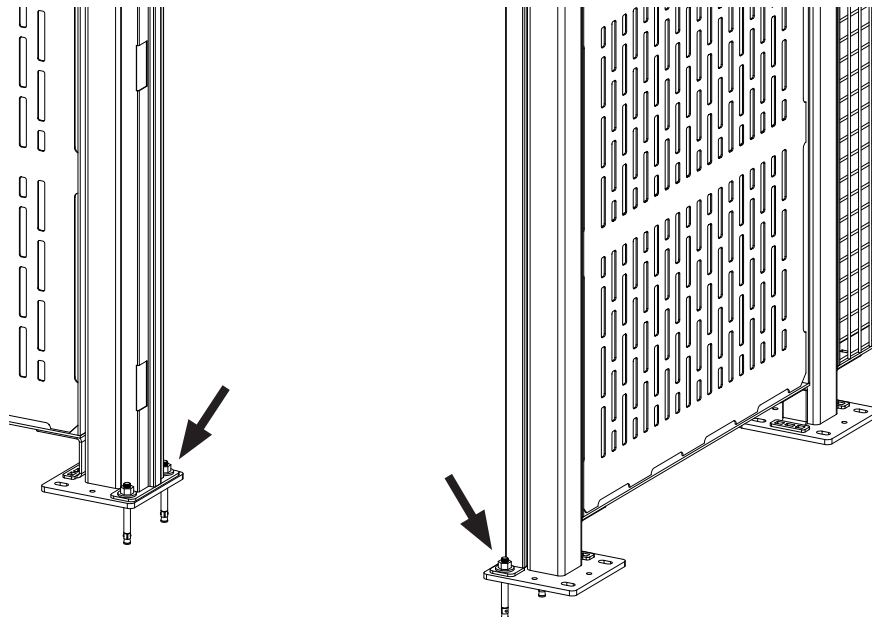
At every location a door is to be installed on the sides of the shelter, remove the (4) inner carriage bolts at the top of the uprights and add the panel brackets below the upright flanges with the same carriage bolts.

**B.**

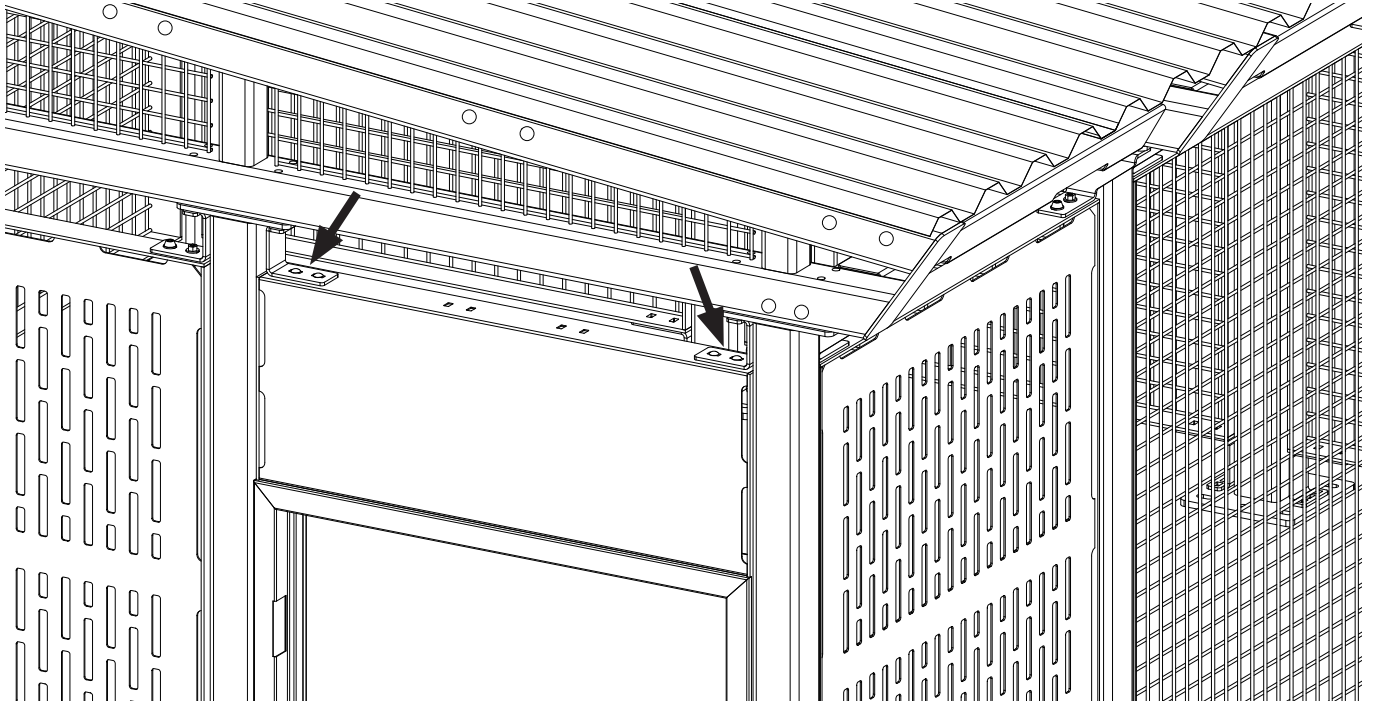
Below these panel brackets, remove the (4) inner 5/8" wedge anchor nuts and washers at the base of the uprights.

C.

Attach the bottom of the door frame to the upright bases with the 5/8" wedge anchor nuts and washers.



- D.**
Attach the top of the door frame to each bracket with (2) 3/8" x 1" carriage bolts, washers and nuts. (1) nut at each bracket will be a Penta nut for security.



- E.**
Attach the door and hinges to door frame with supplied hardware.

