

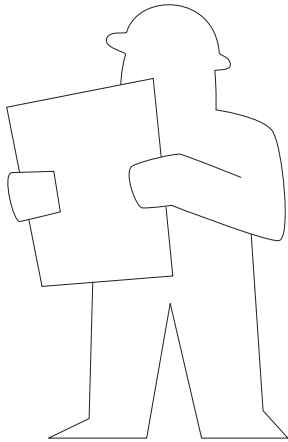

**TOOLS NEEDED**

Hammer drill  
 Masonry bit, 3/8", 1/2"  
 Hammer  
 Socket wrench  
 Sockets, 9/16", 3/4"  
 Socket extension, 4-6"

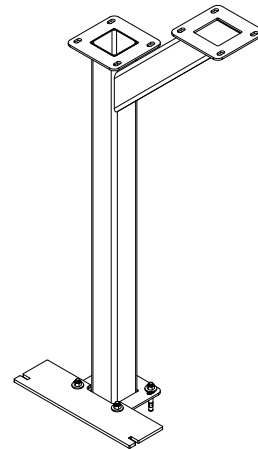
Hex wrench, 3/16"  
 Tape measure  
 Chalk line  
 Marker  
 Level

**RECOMMENDED BASE MATERIAL**

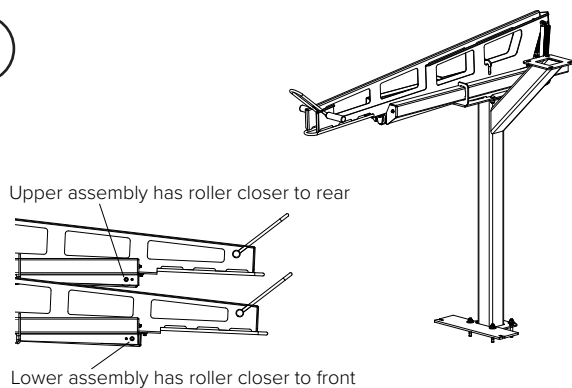
Solid concrete is the best base material for installation. To ensure the proper anchors are shipped with your racks, ask your Dero representative which anchor is appropriate for your application. Be sure nothing is underneath the base material that could be damaged by drilling.

**1**


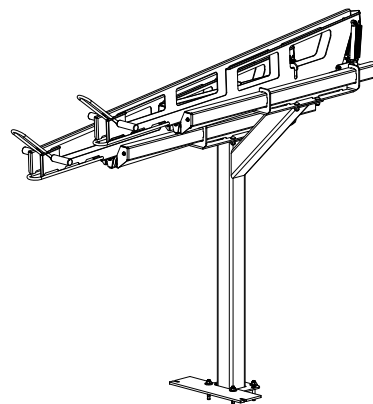
Refer to setback diagrams before installation to ensure sufficient space. Installation surface must be concrete of suitable strength. If surface is not level, contact Dero representative for workable solution.

**2**


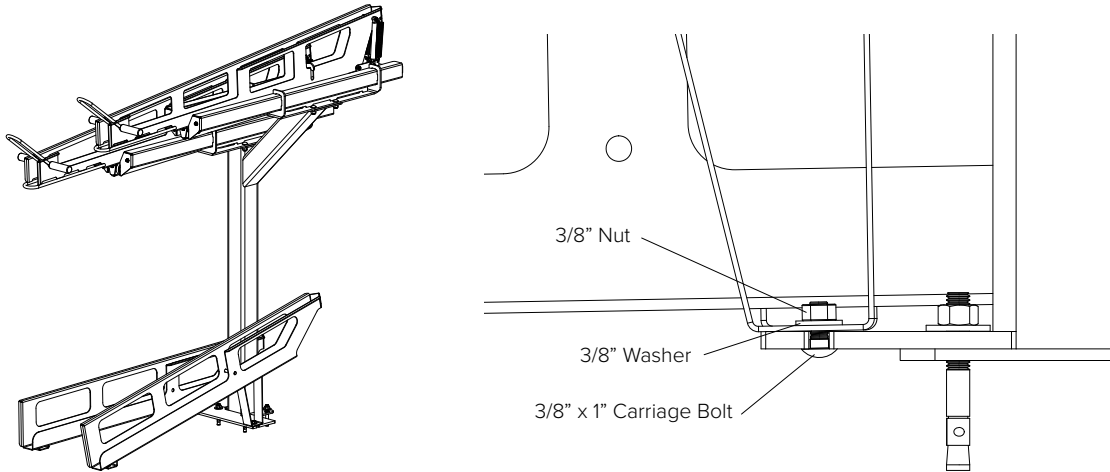
Place the Uprights in position and secure with (4) 1/2" x 3.75" wedge anchors. At least 1.25" of wedge anchor threads should remain above the concrete. The Lower Tray Mount should be placed on the front side of the Upright and secured with the existing wedge anchors.

**3**


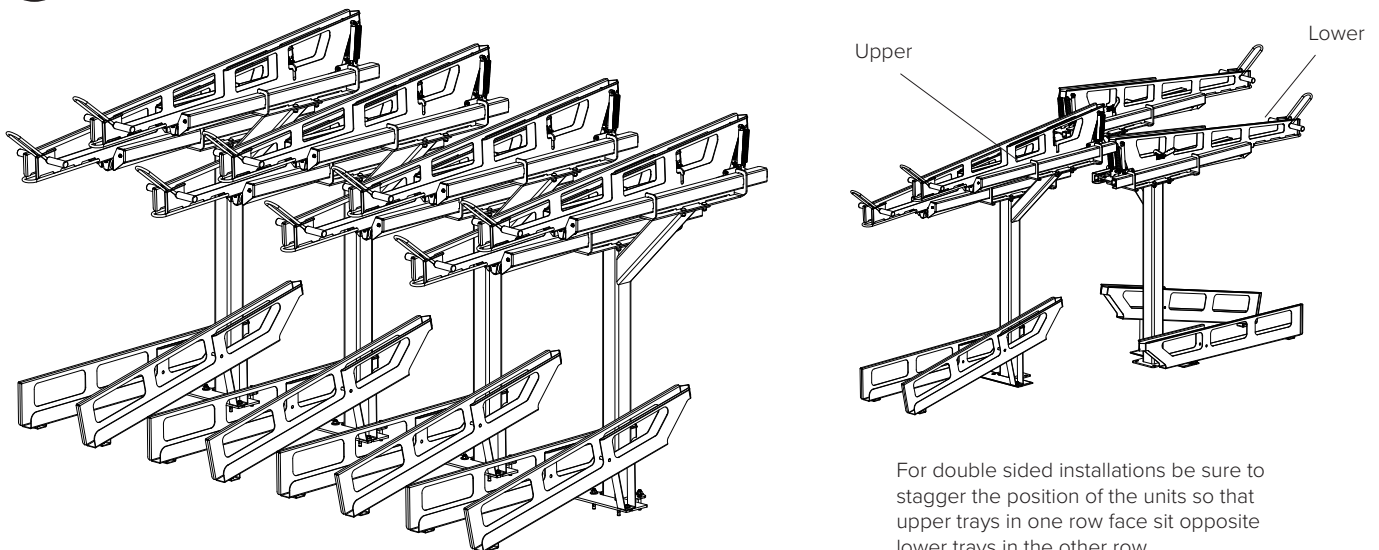
Place the lower Cantilever Assembly on the lower Upright position and secure with (4) 1/2" x 1.25" carriage bolts, 1/2" washers, and 1/2" nylock nuts.

**4**


Do the same for the upper Cantilever Assembly.

**5**

Place the bottom Lower and Upper Trays in position and secure at the rear with (1) 3/8" x 1" carriage bolt, 3/8" washer, and 3/8" nut each. Secure at the front with (1) 3/8" x 3" wedge anchor each.

**6**

For double sided installations be sure to stagger the position of the units so that upper trays in one row face sit opposite lower trays in the other row.

Continue to the next section and repeat the previous steps.

See diagrams below for guidance on installing the optional Cane Stop. This attachment provides a cane-detectable barrier beneath the upper trays of the Dero Decker for improved safety.

