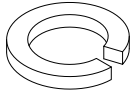
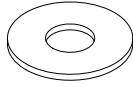


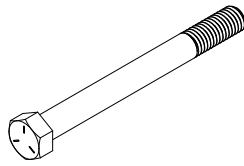
NUT .50



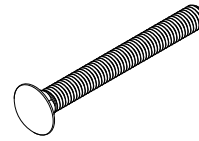
LOCK WASHER .50



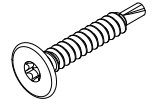
WASHER .50



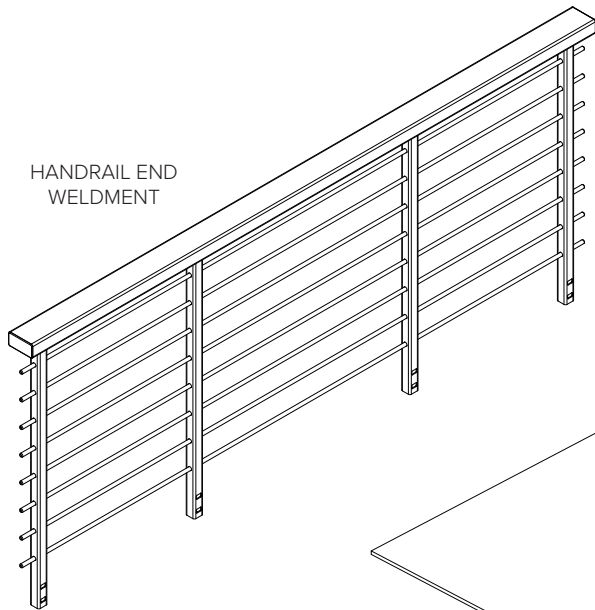
BOLT .50 X 5.00



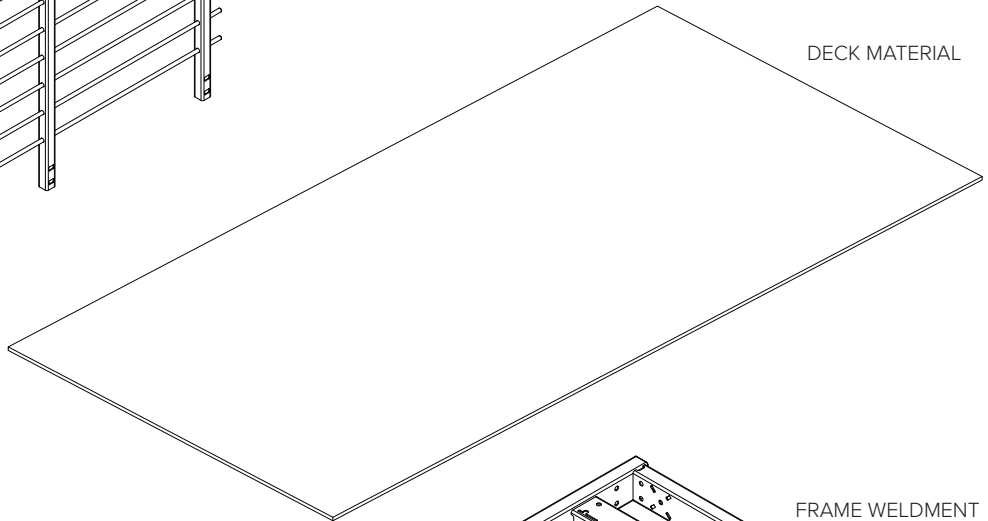
CARRIAGE BOLT .50 X 4.50



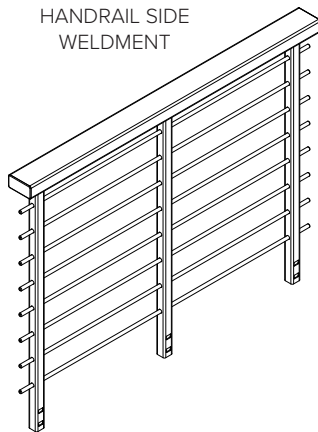
SELF DRILLING SCREW
10 X 1.25



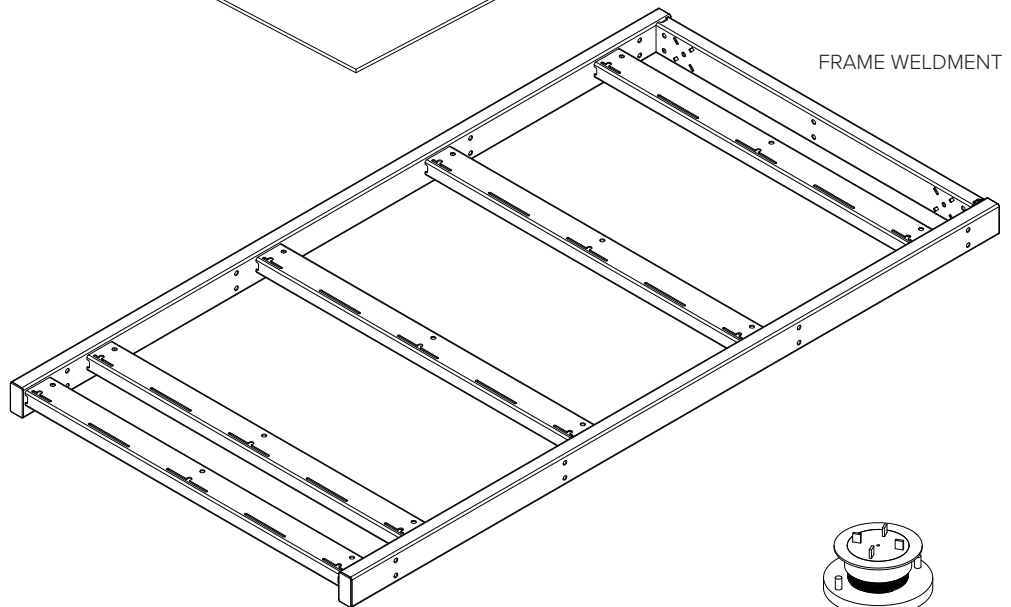
HANDRAIL END
WELDMENT



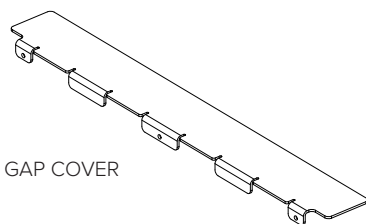
DECK MATERIAL



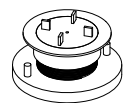
HANDRAIL SIDE
WELDMENT



FRAME WELDMENT



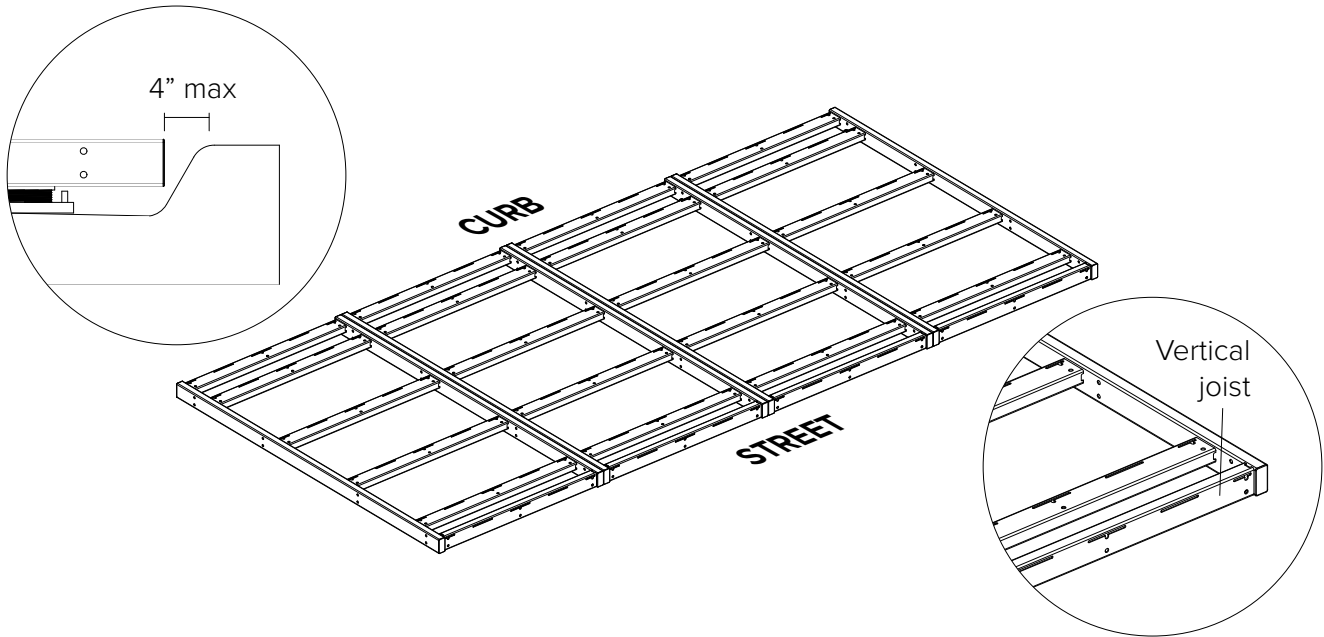
GAP COVER



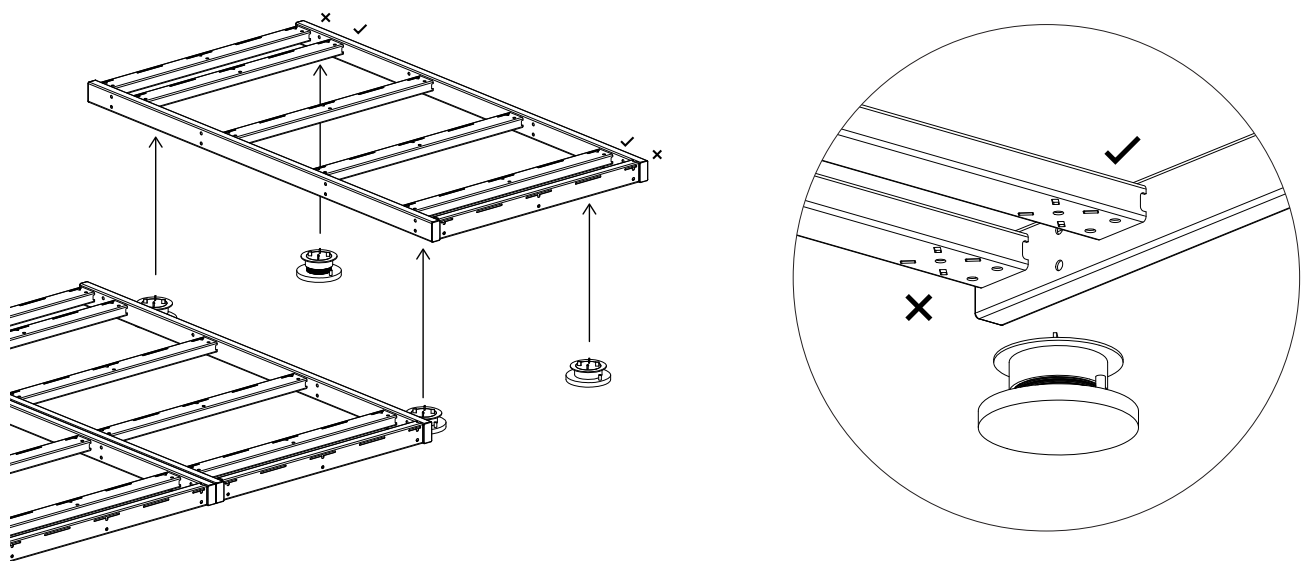
BISON DECK LEVELER

1

Layout frame sections where the Parklet is to be installed. Note the vertically oriented joist will face towards the street. The frame section should not be more than 4" from the curb top.

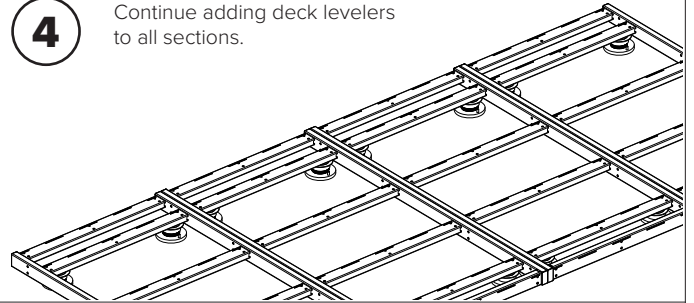
**2**

Lift one frame section at a time (just a few inches) and place (4) Bison deck levelers under the frame section. The tabs on the deck leveler will engage the cutouts on the bottom of the joists.

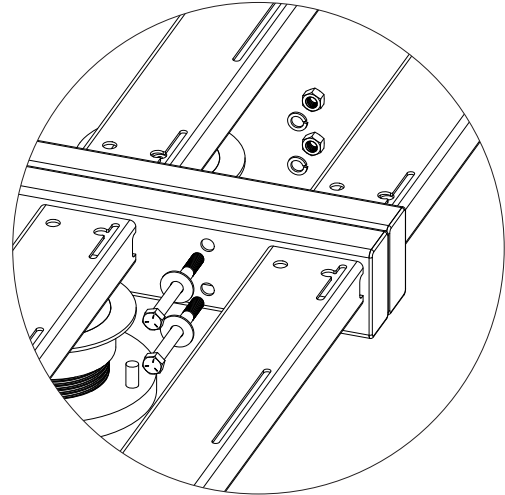
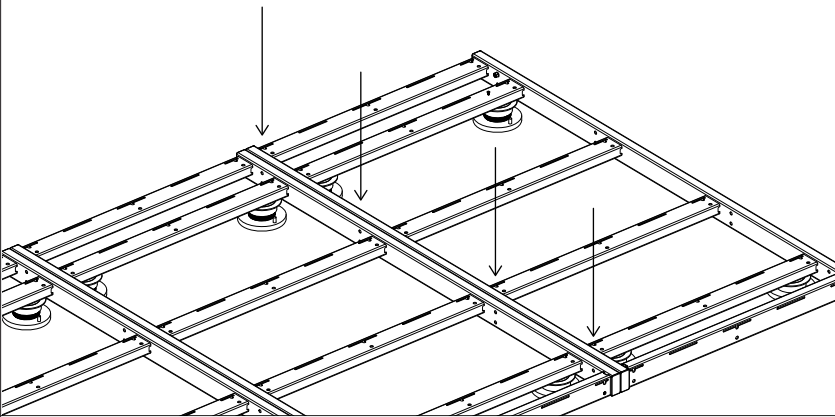


3 Once the frame section is resting on all (4) deck levelers, the levelers may be lengthened or shortened via the screw feature built into the leveler. The levelers on the street side should be as short as possible. The levelers on the curb side will then be lengthened to raise the frame section to level. All levelers should be bearing weight and not loose.

4 Continue adding deck levelers to all sections.

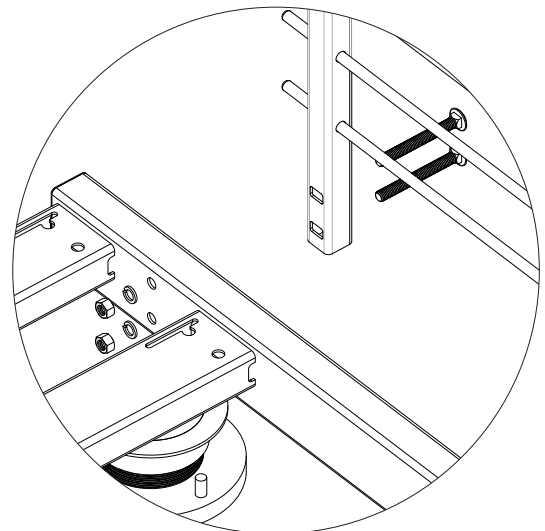
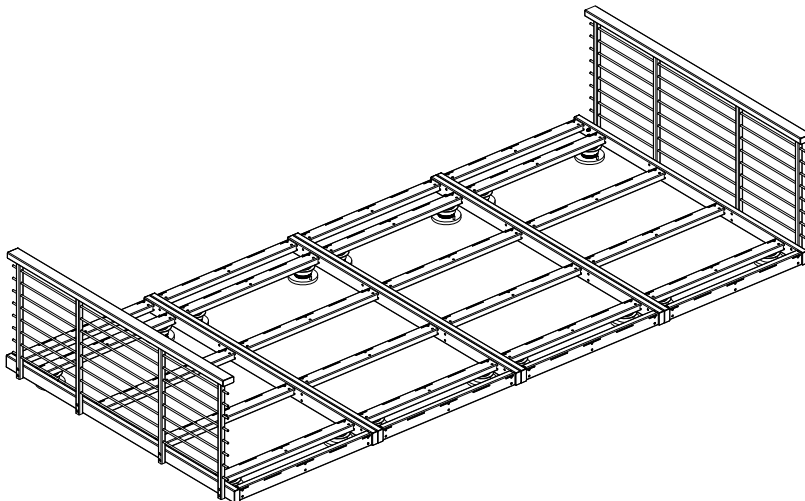


5 Bolt frame sections together with 1/2" x 5" bolts, flat washers, lock washers, and nuts. Each connection uses (8) sets of hardware.

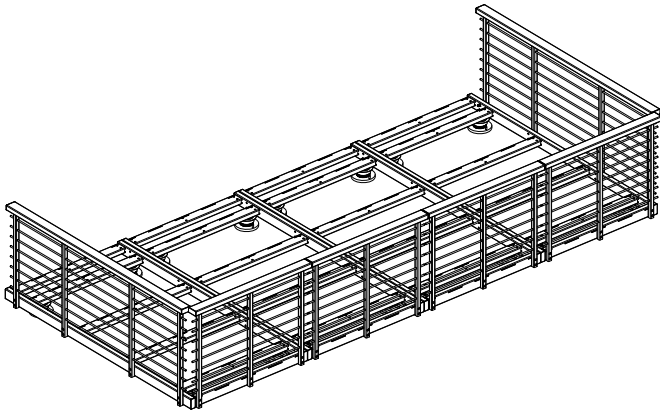


6 After all frame sections are bolted together, re-adjust deck levers so that the whole deck assembly is level and all deck levelers are bearing weight.

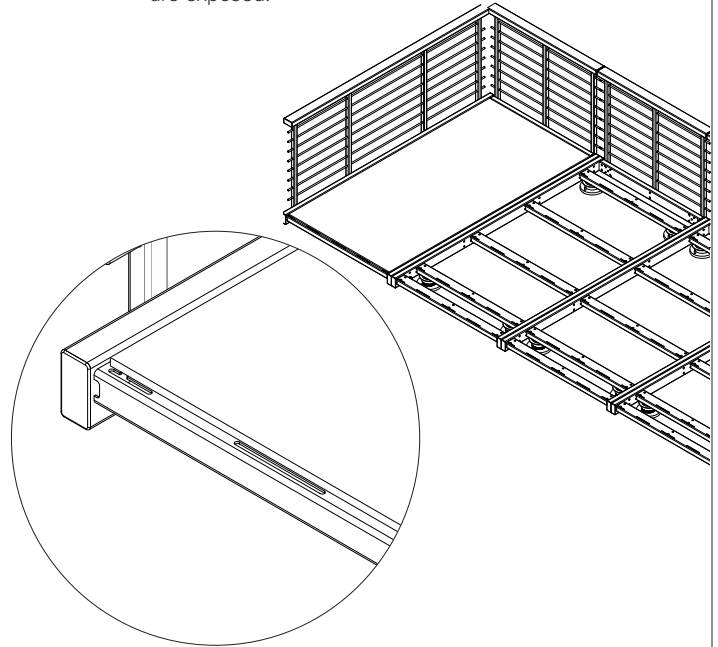
7 Bolt the end handrails to the frame sections with 1/2" x 4.5" carriage bolts, lock washers, and nuts. Each connection uses (8) sets of hardware (some custom sizes may use less). Confirm all 2" x 4" handrail tubes have plastic end caps before installing handrails.



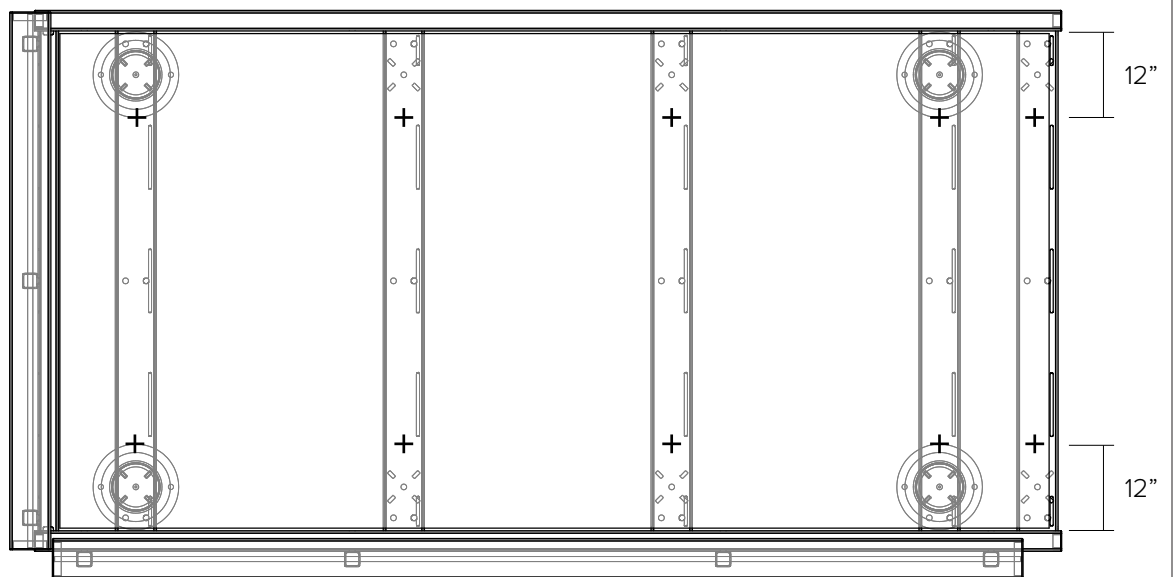
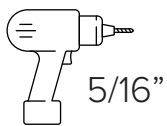
8 Repeat the previous step for the side handrails.



9 Place the 4' x 8' x 1/2" deck material so that it is centered in the frame section and pushed back toward the street side. Confirm joist slots near the curb side are exposed.

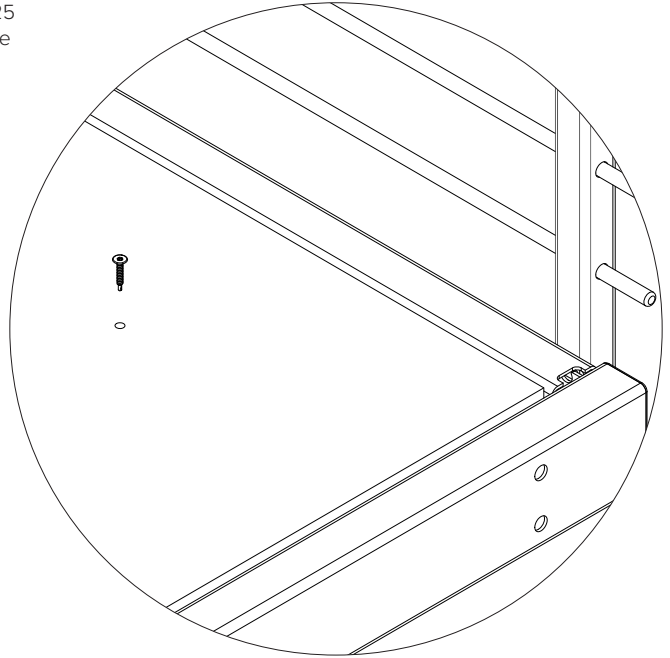
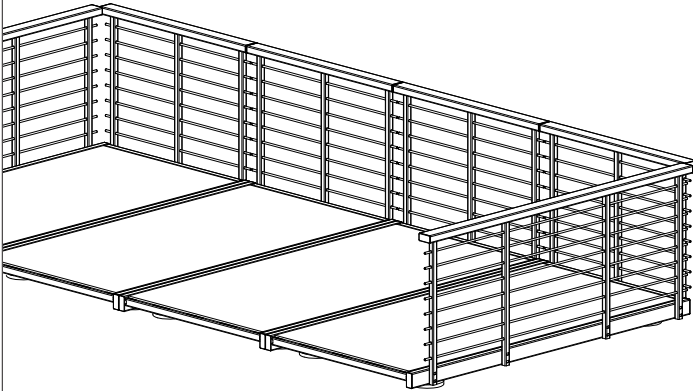


10 Note where the joists are under the deck and make (2) marks at every joist, each 12" in from the side. Drill a 5/16" hole almost all the way through the 1/2" deck material in all (10) locations.



11

Secure deck material with (10) #10 x 1.25" self-drilling screws. A T25 Torx driver is required. Do not overtighten the screw and break the head off. Repeat for remaining deck sections.

**12**

Set the gap cover tabs in the joist slots nearest the curb. The gap cover should span the gap between the Parklet and curb.

