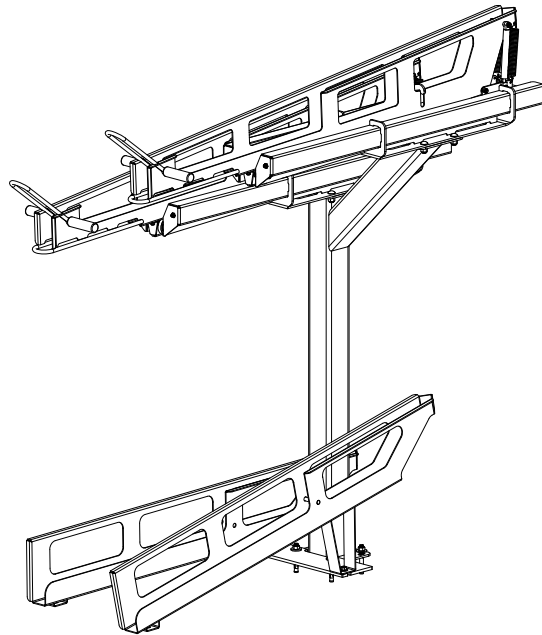
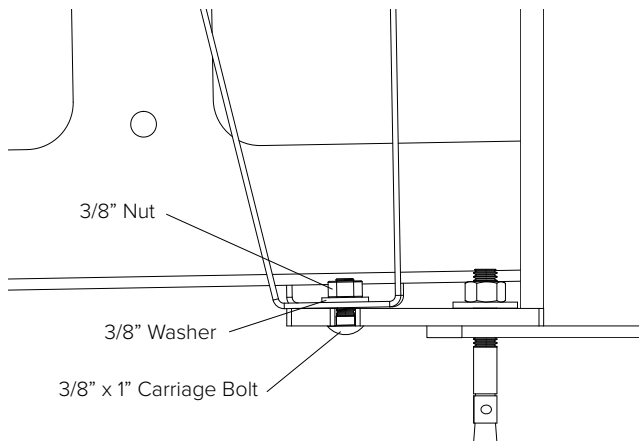


Trays should be installed at alternating heights 17" apart on center. Allow 24" spacing between tray and wall or other obstruction.



Place the bottom Lower and Upper Trays in position and secure at the rear with (1) 3/8" x 1" carriage bolt, 3/8" washer, and 3/8" nut each. Secure at the front with (1) 3/8" x 3" wedge anchor each.



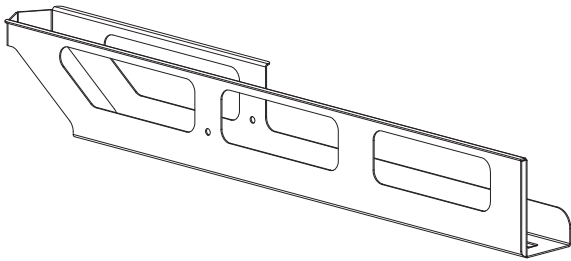
TOOLS NEEDED

Marker or Pencil
Masonry Drill Bit 3/8"
Drill (Hammer drill recommended)
Hammer
Wrench 9/16"
Level

RECOMMENDED BASE MATERIAL

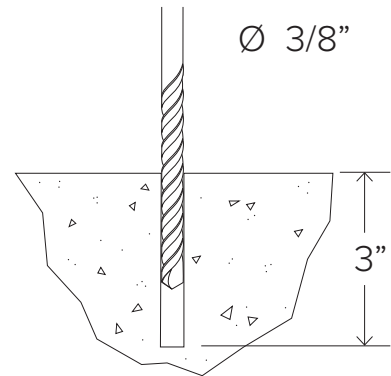
Solid concrete is the best base material for installation. To ensure the proper anchors are shipped with your rack, ask your Dero representative which anchor is appropriate for your application. Be sure nothing is underneath the base material that could be damaged by drilling.

1



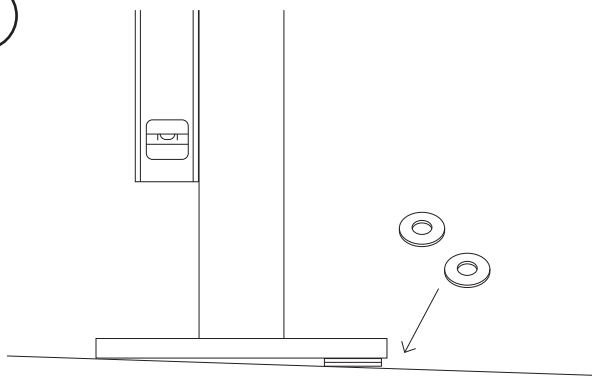
Place the rack in the desired location. Use a marker or pencil to outline the holes of the flange onto the base material.

2



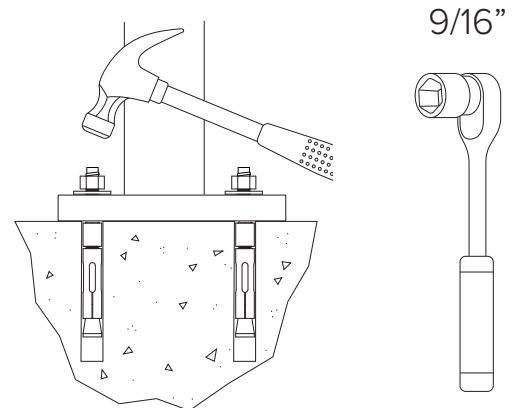
Drill 3/8" diameter holes 3" deep into surface. Make sure the holes are at least 3" away from any cracks in the base material.

3



Place rack (and washers to level rack if necessary) over holes.

4



Thread nuts onto anchors, leaving approximately 1/4" of the anchor protruding, and tap into surface. Tighten nuts down to secure rack.