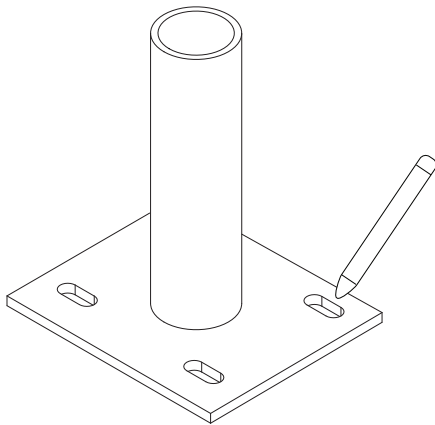



TOOLS NEEDED

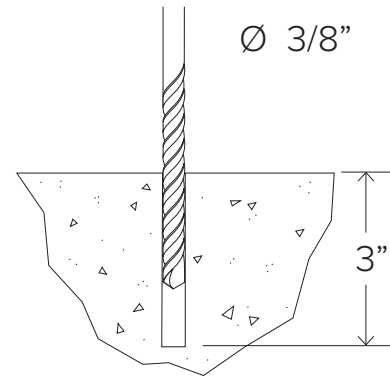
Marker or Pencil
 Masonry Drill Bit 3/8"
 Drill (Hammer drill recommended)
 Hammer
 Wrench 9/16"
 Level

RECOMMENDED BASE MATERIAL

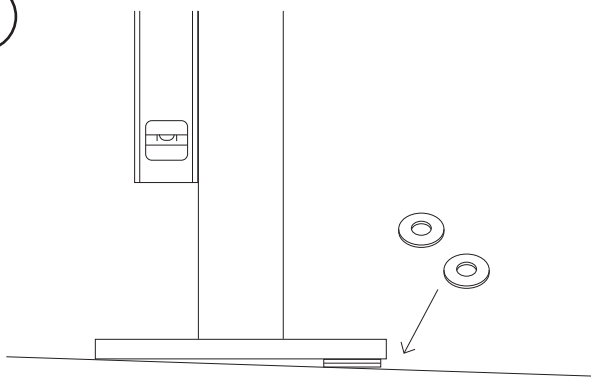
Solid concrete is the best base material for installation. To ensure the proper anchors are shipped with your rack, ask your Dero Rack representative which anchor is appropriate for your application. Be sure nothing is underneath the base material that could be damaged by drilling.

1


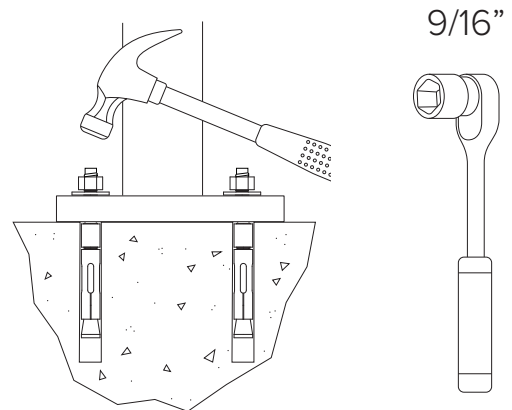
Place the rack in the desired location. Use a marker or pencil to outline the holes of the flange onto the base material.

2


Drill 3/8" diameter holes 3" deep into surface. Make sure the holes are at least 3" away from any cracks in the base material.

3


Place rack (and washers to level rack if necessary) over holes.

4


Thread nuts onto anchors, leaving approximately 1/4" of the anchor protruding, and tap into surface. Tighten nuts down to secure rack.

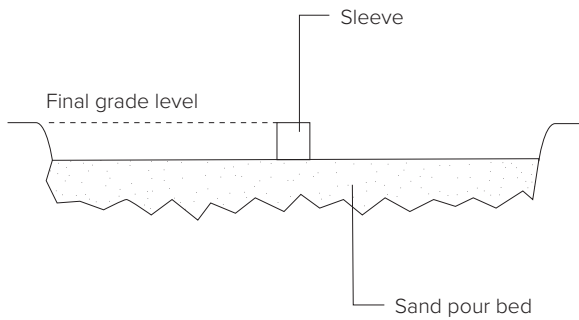


TOOLS NEEDED

Level
Cement mixing tub
Shovel

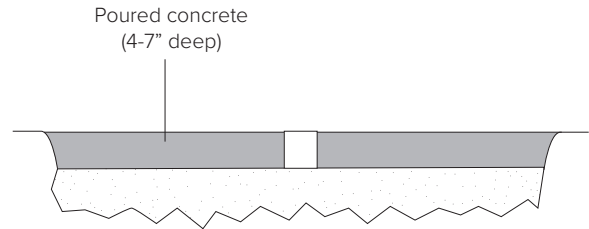
Trowel
Corrosion-Resistant Sleeve (min. 3" diameter)
Materials to build brace (see "Install Tip" at bottom of page)

1



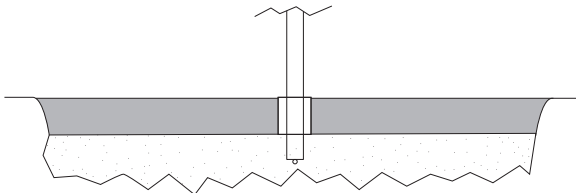
Place corrosion resistant sleeve (min. 3" inside diameter) in sand pour bed in exact location where rack will be installed. Make sure top of sleeve is at same level as desired finished concrete surface. Fill sleeve with sand to keep it in place and prevent it from filling with concrete.

2



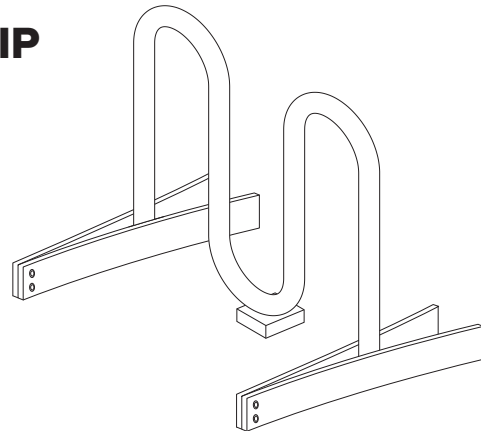
Pour concrete and allow to cure.

3



After appropriate cure time, dig out sand from sleeves and insert racks, making sure they are level and at the appropriate height. Pour in Super Por-Rok or epoxy grout and allow to set.

TIP



An easy way to brace the rack while the grout sets is to bolt two 1x4" boards together at one end and clamp them onto the rack like a clothes pin.

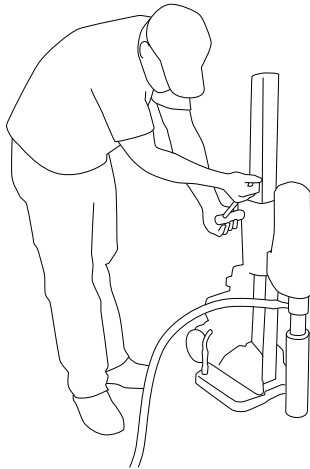


TOOLS NEEDED

Level
Cement mixing tub
Shovel
Access to water hose

Trowel
Hole coring machine with 4" bit
Materials to build brace (see "Install Tip" at bottom of page)

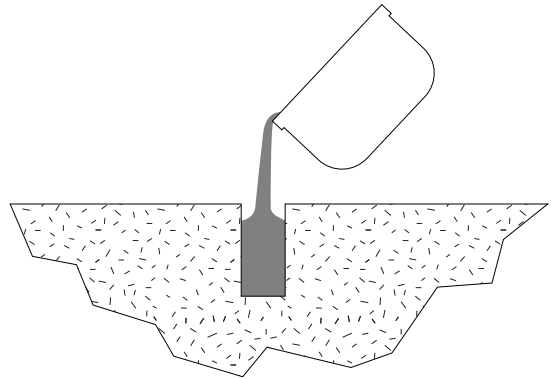
1



Ø 3" min.
↓ 10" min.

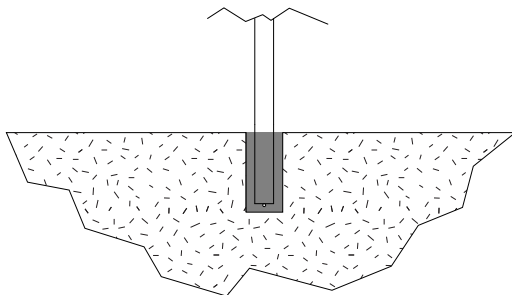
Core holes no less than 3" diameter (4" recommended) and no less than 10" deep into sidewalk.

2



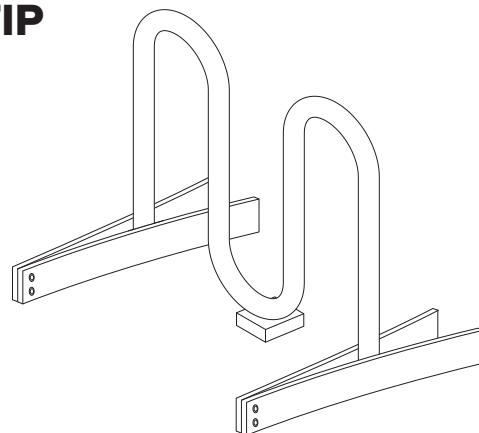
Fill holes with Super Por-Rok or epoxy grout.

3



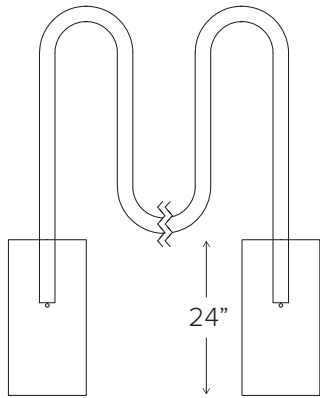
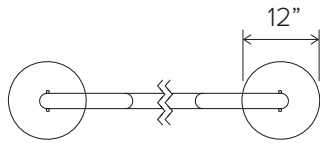
Place rack into holes, making sure the rack is level until the grout has set. 33"-36" of the rack should remain above the surface.

TIP

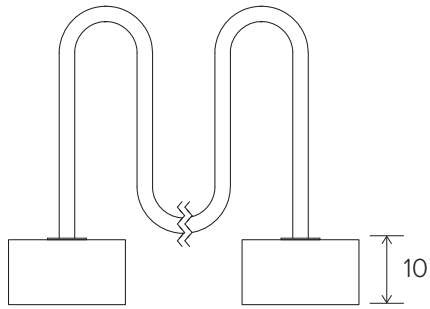
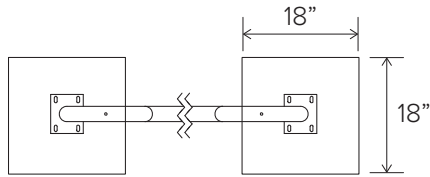


An easy way to brace the rack while the grout sets is to bolt two 1x4" boards together at one end and clamp them onto the legs of the rack like a clothes pin.

IN-GROUND MOUNT



SURFACE MOUNT



(or standard 4" sidewalk slab)