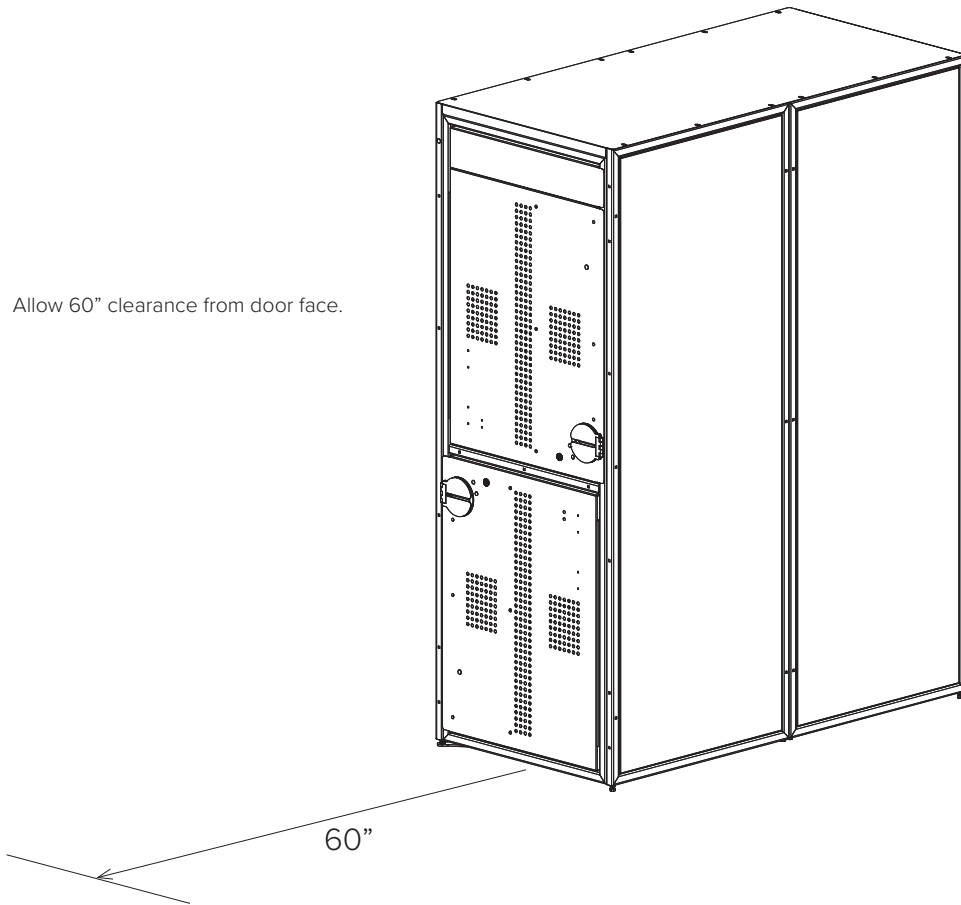
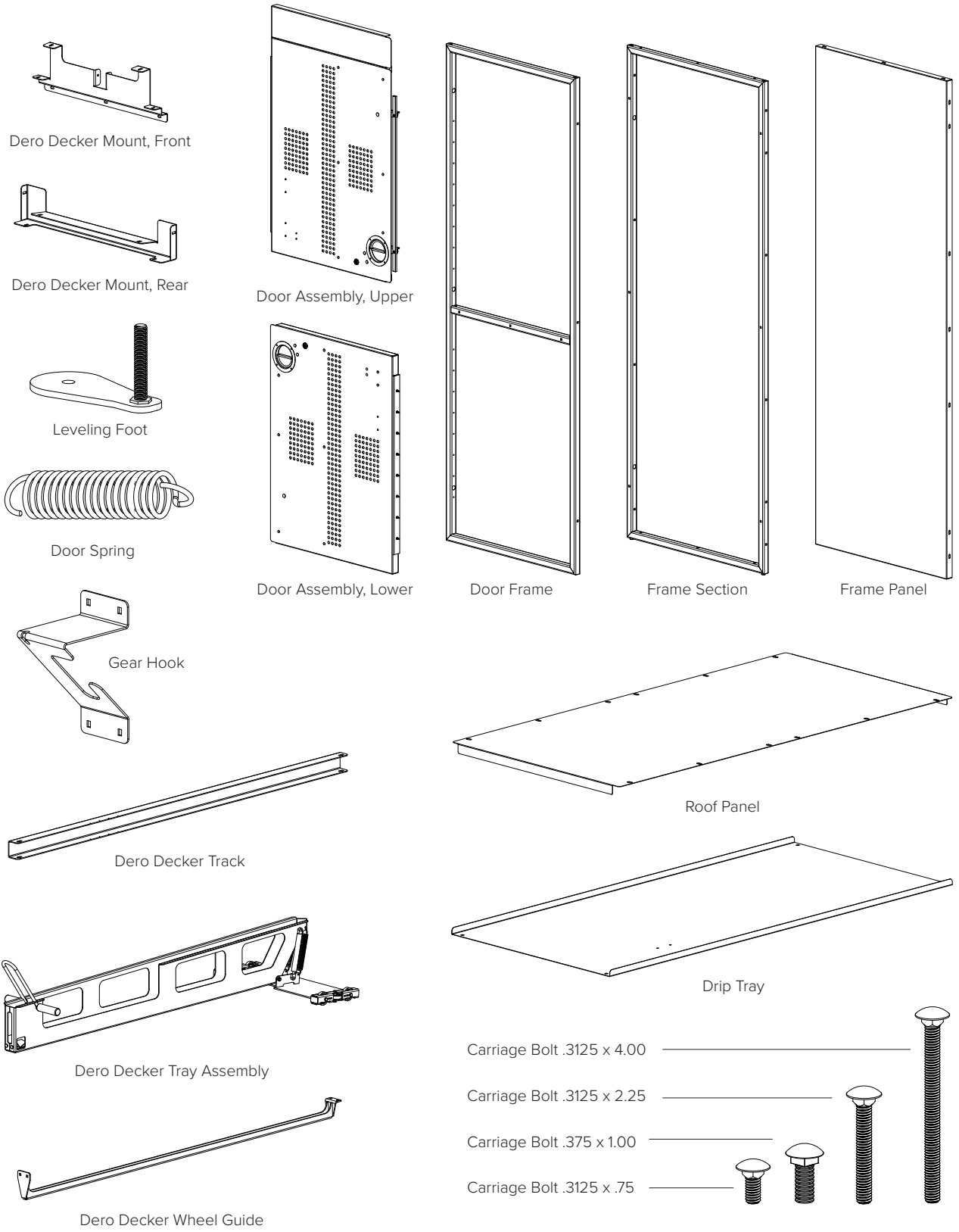


Allow 60" clearance from door face.







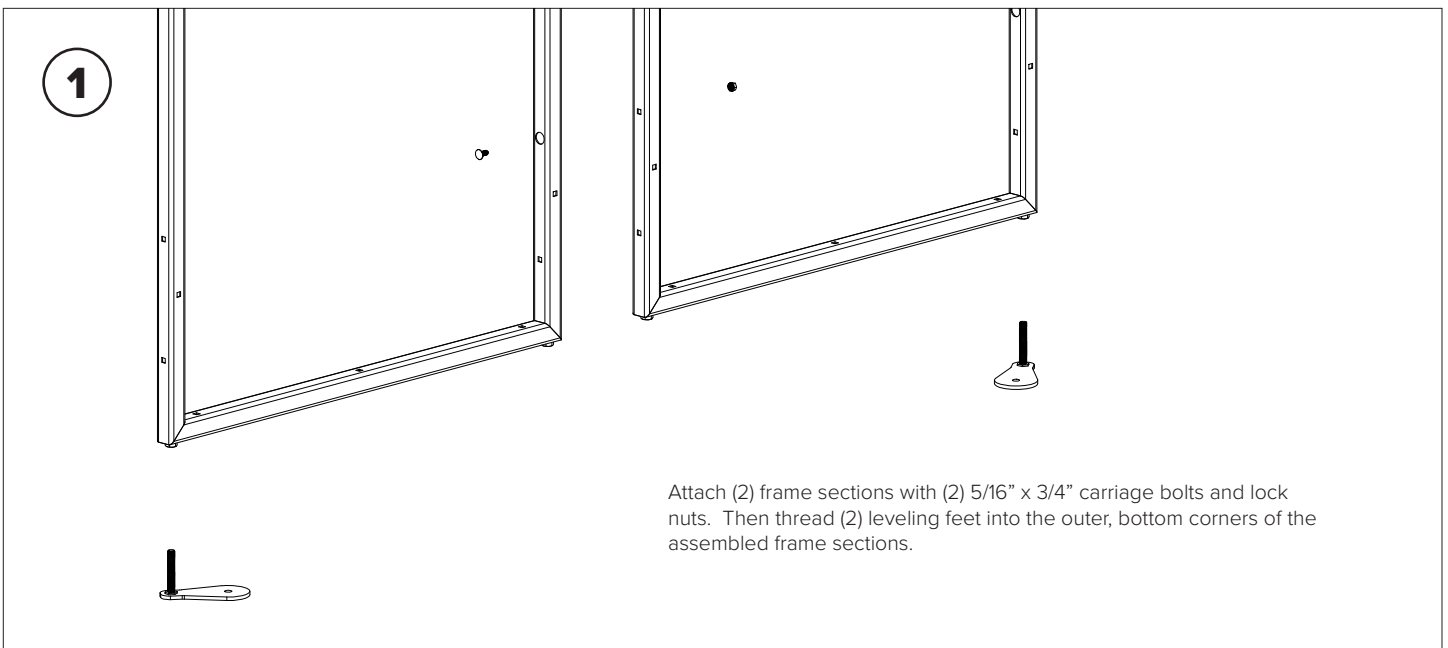
## TOOLS NEEDED

Hammer drill with 3/8" masonry bit  
 Hammer  
 Bubble level  
 Tape measure  
 3/8", 7/16", 1/2", 9/16" wrenches  
 Socket wrench  
 3/8", 7/16", 1/2", 9/16" sockets  
 Socket extension  
 Power drill  
 #3 Philips screw driver bit

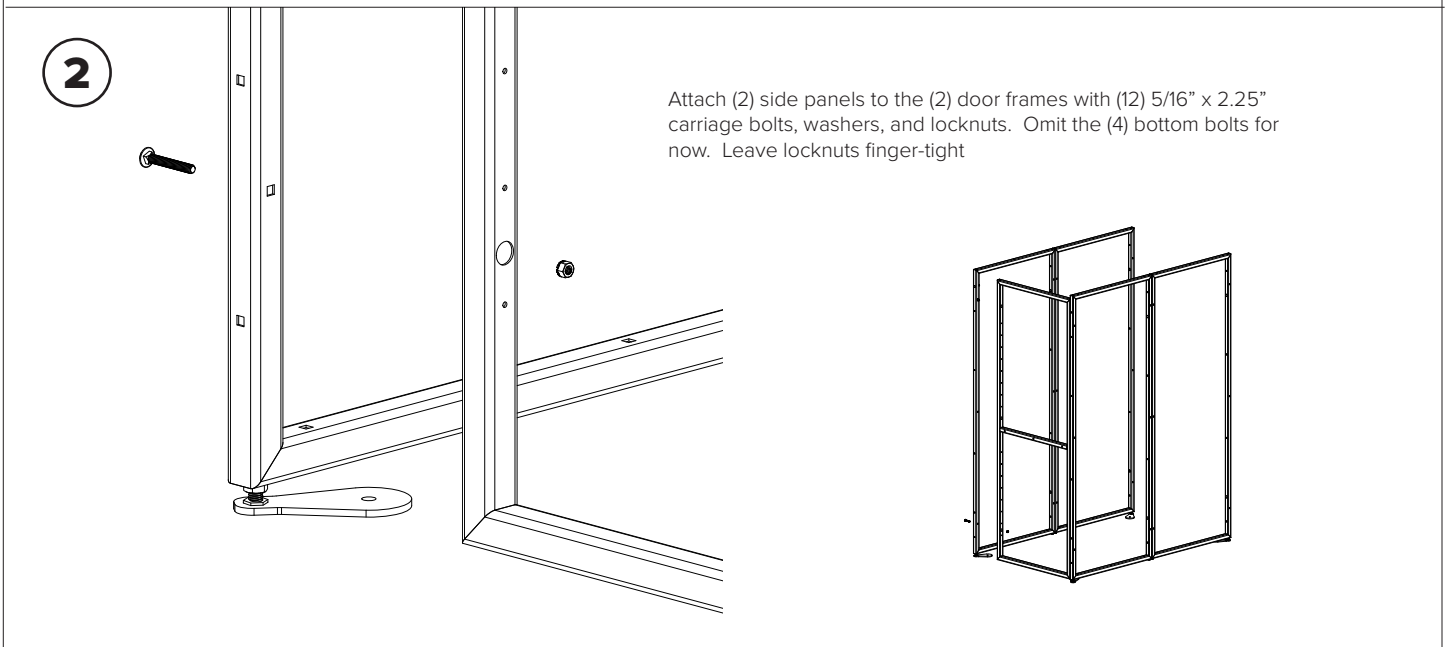
## RECOMMENDED BASE MATERIAL

Solid concrete is the best base material for installation. To ensure the proper anchors are shipped with your rack, ask your Dero representative which anchor is appropriate for your application. Be sure nothing is underneath the base material that could be damaged by drilling.

**Notify Dero sales department of any ground slope.**

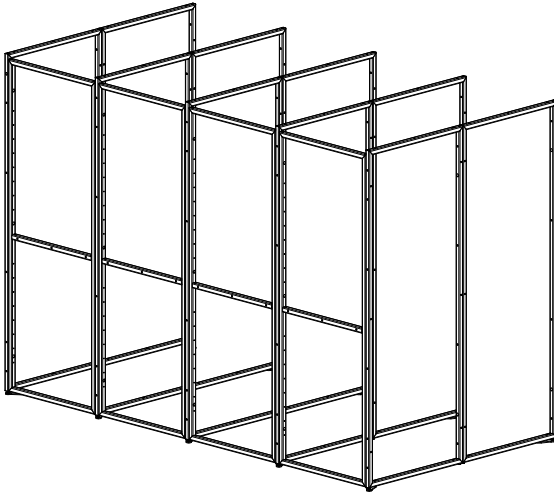


Attach (2) frame sections with (2) 5/16" x 3/4" carriage bolts and lock nuts. Then thread (2) leveling feet into the outer, bottom corners of the assembled frame sections.



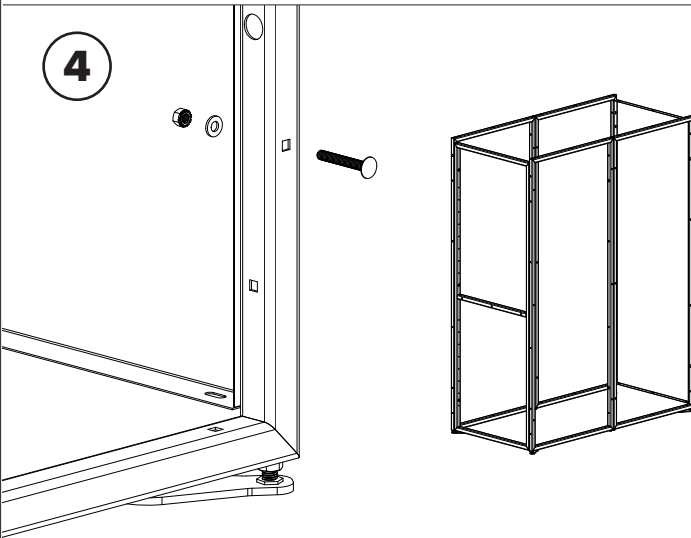
Attach (2) side panels to the (2) door frames with (12) 5/16" x 2.25" carriage bolts, washers, and locknuts. Omit the (4) bottom bolts for now. Leave locknuts finger-tight

**3**



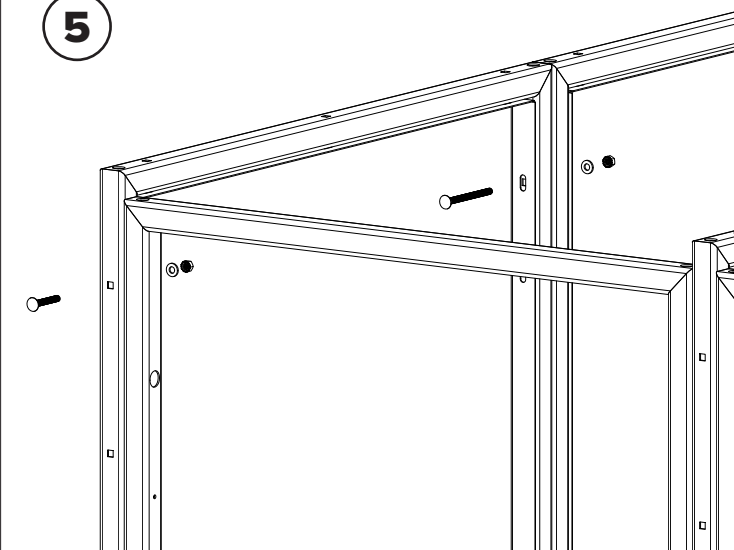
If a modular row of lockers is being assembled, continue attaching frame assemblies and door frames. Level the assembly with the leveling feet and secure them to the ground with 3/8" diameter anchors.

**4**

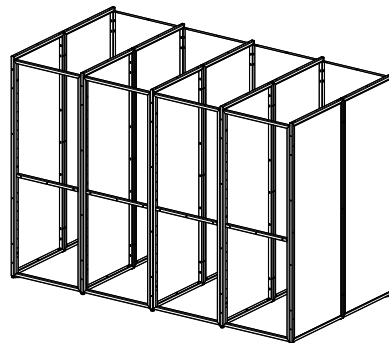


Attach (1) frame panel to the rear position in frame assembly with (4) 5/16" x 2.25" carriage bolts, washers, and lock nuts. Note the center bolt position will be left open for now. Continue adding rear frame panels if assembling a modular row.

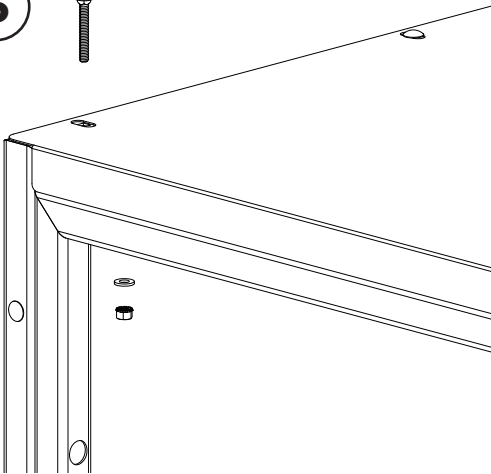
**5**



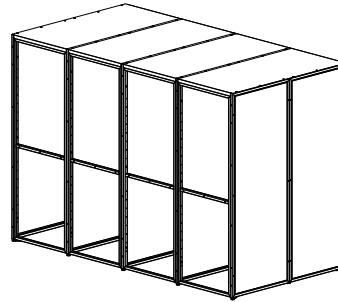
Attach the frame panels to the side positions in frame assembly with (4) 5/16" x 2.25" and (4) 5/16" x 4" carriage bolts, washers, and lock nuts. Continue adding side frame panels if assembling a modular row. The (3) bolt holes at the bottom of the panels are not used. The (3) bolt holes at the top of the panels will be used later.



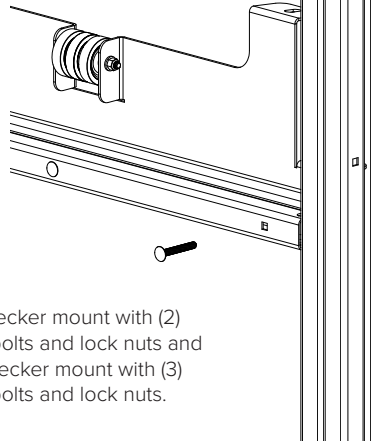
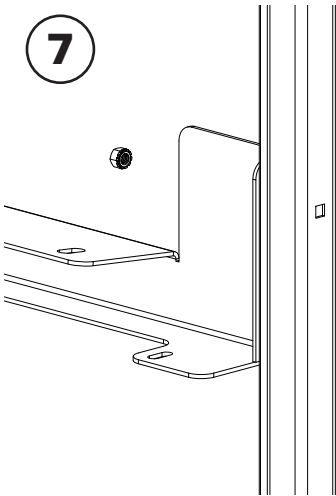
**6**



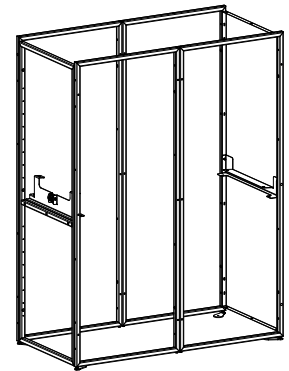
Attach the roof panels with (12) 5/16" x 2.25" carriage bolts, washers, and lock nuts. Continue adding roof panels if assembling a modular row.



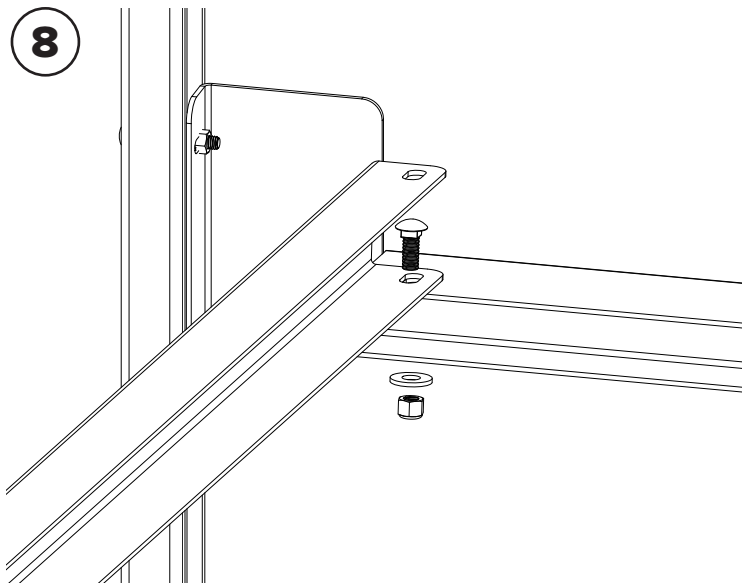
**7**



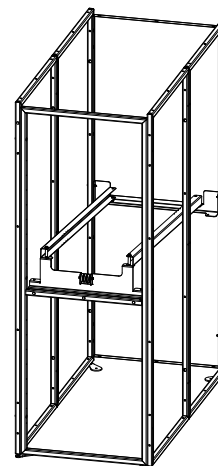
Attach the rear Dero Decker mount with (2) 5/16" x 2.25" carriage bolts and lock nuts and attach the front Dero Decker mount with (3) 5/16" x 2.25" carriage bolts and lock nuts.



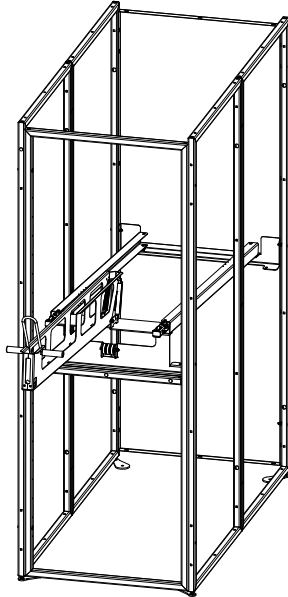
**8**



Attach the (2) Dero Decker tracks with (1) 3/8" x 1" carriage bolt, washer, and lock nut in the rear. Note the small holes in the tracks should be oriented towards the front of the locker.

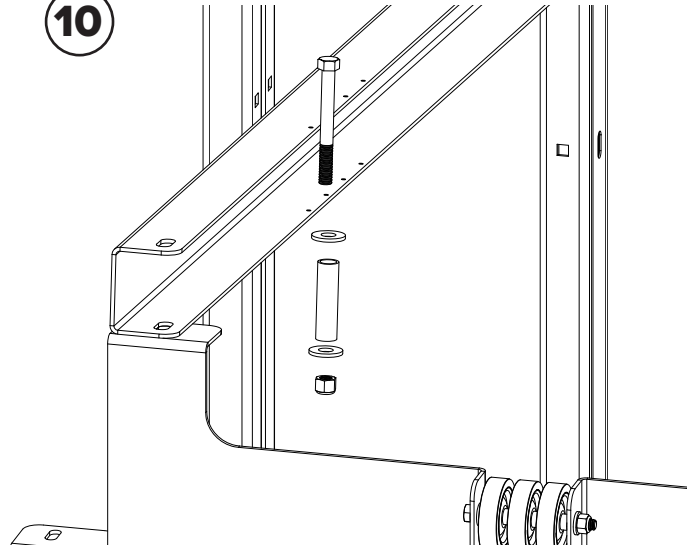


**9**



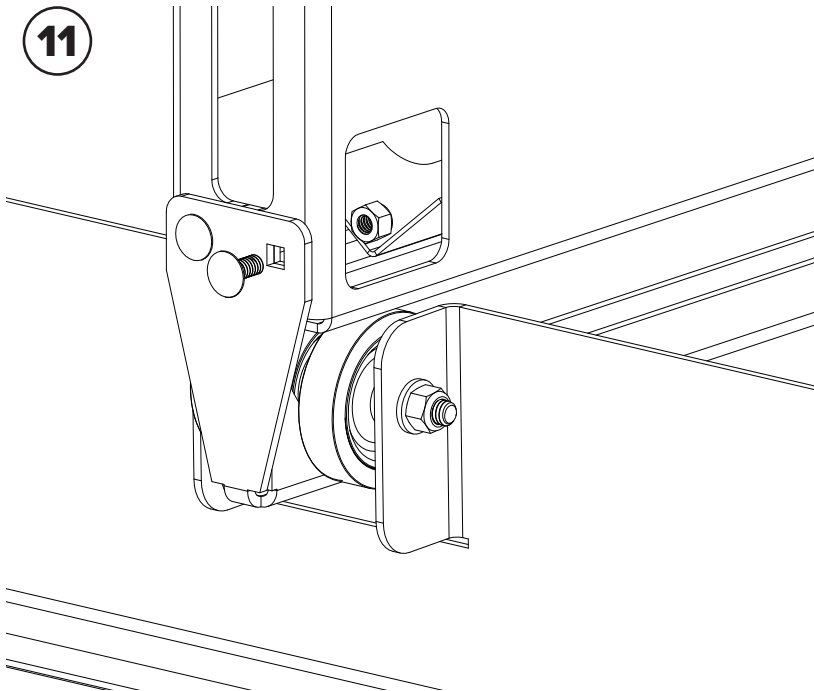
Insert the Dero Decker tray assembly into the tracks.

**10**

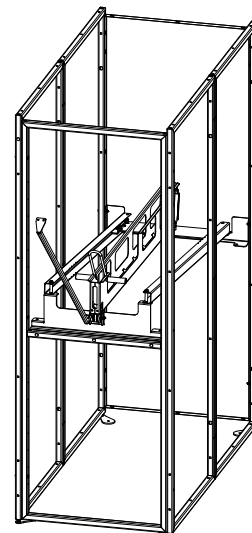


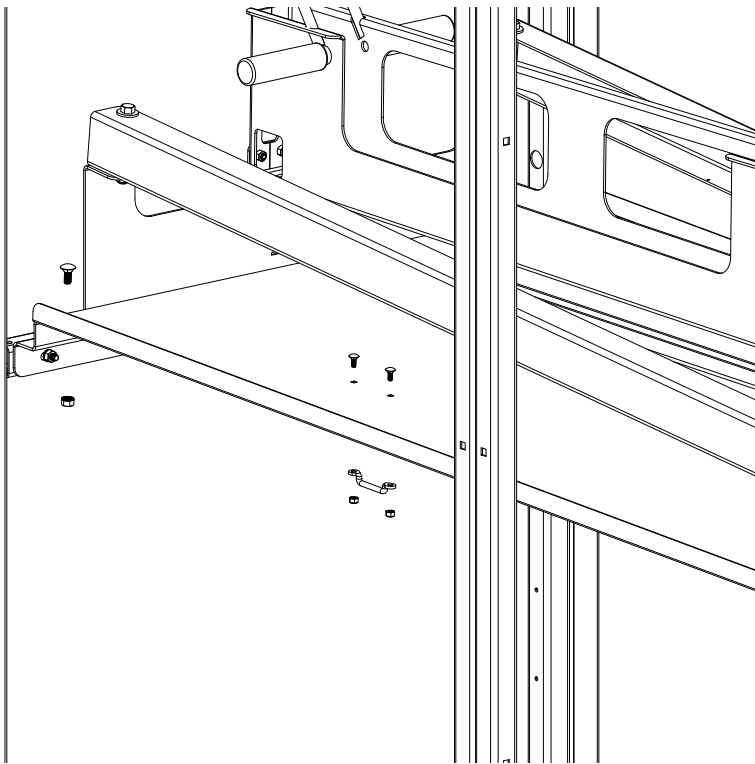
Secure the front of the (2) Dero Decker tracks with (1) 3/8" x 3.5" hex bolt, washers, and lock nut.

**11**

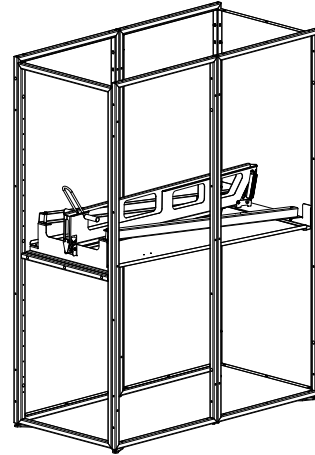
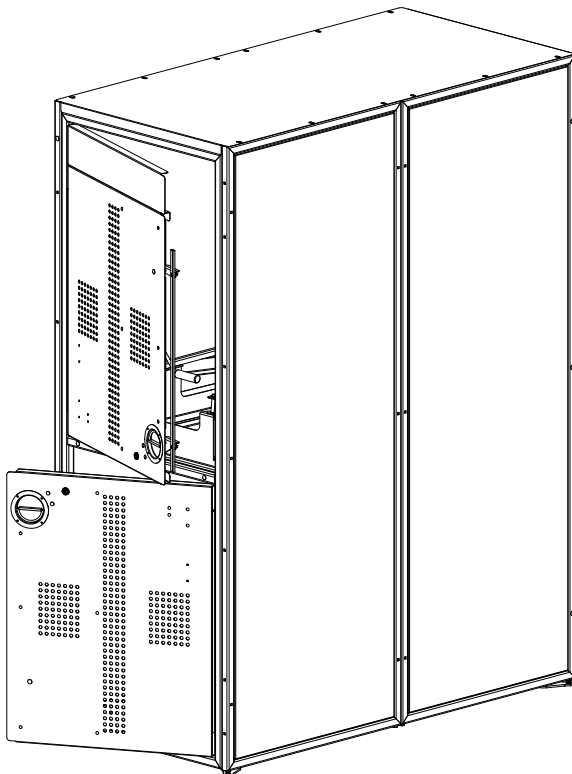


Feed the wheel guide under the center wheel and attach to the tray with (4) 1/4" x 5/8" carriage bolts and lock nuts.



**12**

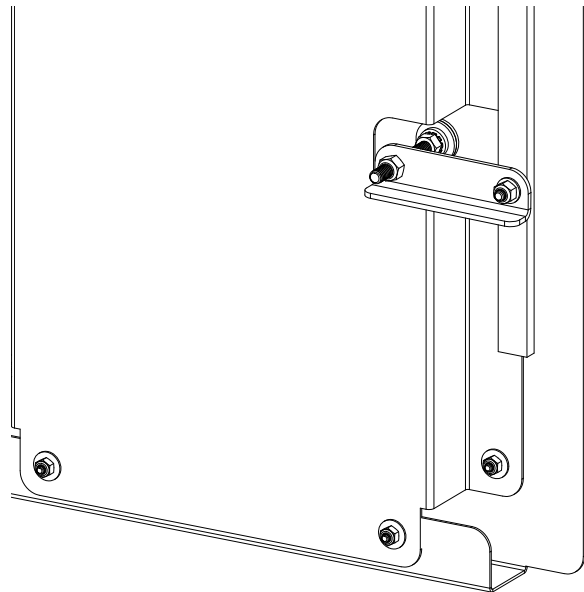
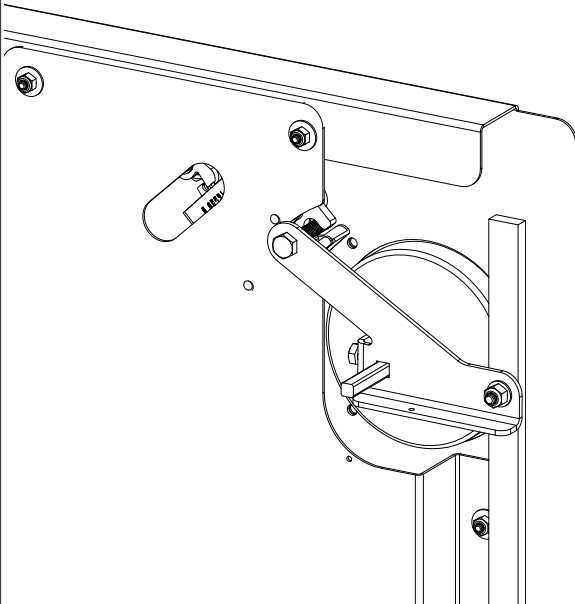
Attach the drip tray with (4) 5/16" x 3/4" carriage bolts and lock nuts. Note that the small holes in the drip tray are oriented towards the front of the locker. Attach the spring mount with (2) #10 x 1/2" carriage bolts and locknuts.

**13**

Attach the lower and upper doors with (8) #12 x 3/4" self-drilling screws. Pilot holes are present but may be partially filled with zinc. Note the upper door has an extra top panel.

**14**

The gap between the door and latch bar may need to be adjusted to properly engage the door frame. This can be done via the 1/4" bolt that tightens against the handle spindle and the 5/16" nuts at the other pivot point.



**15**

If any twist needs to be taken out of the door, loosen the (10) #10 locknuts, set the door, and re-tighten.

**16**

To install door closers, attach the springs to the door spring mounts and the Dero Decker track for the upper door, and the spring mount below the drip tray for the lower door. Gear hook may be installed on lower doors.

