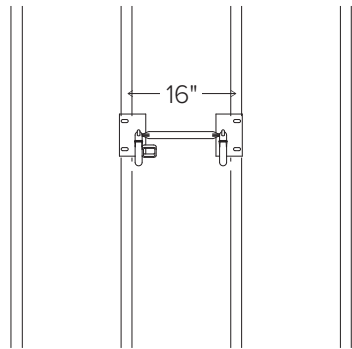
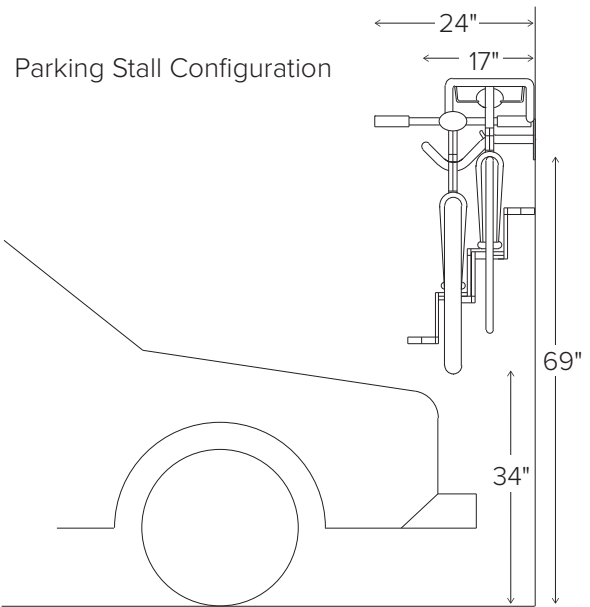


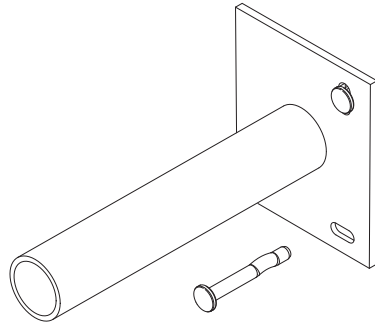
Block Wall



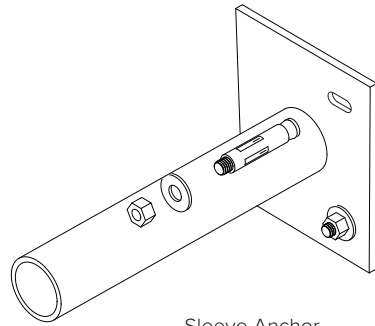
Stud Wall



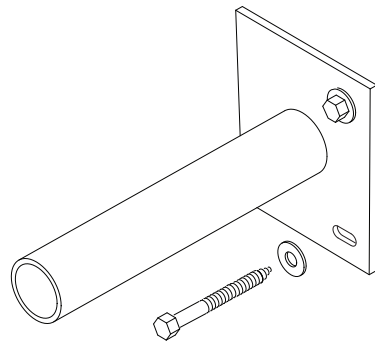
Wall Racks cannot be stacked on top of each other



Concrete Spike



Sleeve Anchor



Lag Screw
(wood install)



Titen Anchor



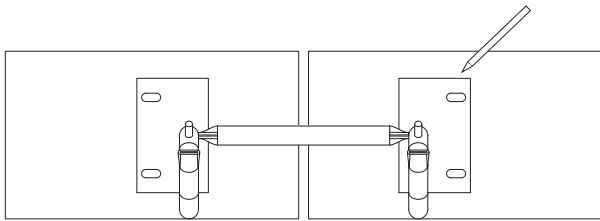
Wedge Anchor


TOOLS NEEDED

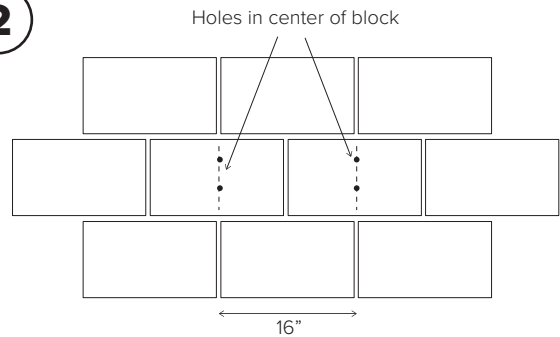
Tape Measure
 Marker or Pencil
 Masonry Drill Bit
 Drill (Hammer drill recommended)
 Hammer
 Wrench or ratchet 9/16"
 Level

RECOMMENDED BASE MATERIAL

Solid concrete is the best base material. Brick, block, and wood stud walls may be acceptable. Metal stud walls are not an acceptable material for installation. Before installing make sure nothing is behind the wall that could be damaged by drilling and that the base material is strong enough to support a fully loaded rack. Tell your Dero representative what kind of base material you are installing the Wall Rack into so the proper anchors can be shipped with the rack.

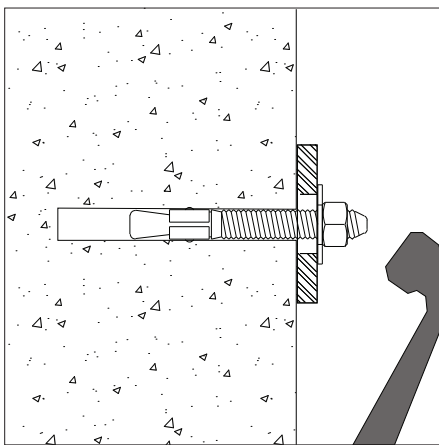
1


Place rack against wall, lining up the holes with the center of the concrete block. Mark holes and lower rack.

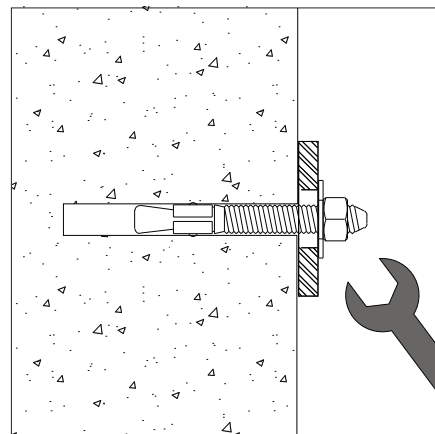
2


Sleeve anchors: Drill holes 2" deep with 1/2" diameter drill bit.
Wedge anchors: Drill holes 3" deep with 3/8" diameter drill bit.
Lag screws: Drill holes 3" deep with 9/32" diameter drill bit.
Titen anchor: Drill holes 3" deep with 3/8" diameter drill bit.
Concrete spikes: Drill holes 3" deep with 3/8" diameter drill bit.

If installing more than one Wall Rack, mark holes for each rack individually as there may be slight differences in the placement of holes from rack to rack.

3


Place rack back into position against wall and tap anchors through holes in the rack and into the wall.

4


Tighten anchors