



DERO
A PLAYCORE Company



Bike **Hook Solo**

The Bike Hook Solo provides a simple, space-efficient way to store and lock your bike. It includes all necessary hardware for mounting to the wall and an integrated 4 foot security cable to help keep your bike secure. This bike storage option is recommended for home use.

Maximum tire width: 2.5"

Bike Hook Solo



FINISH OPTIONS

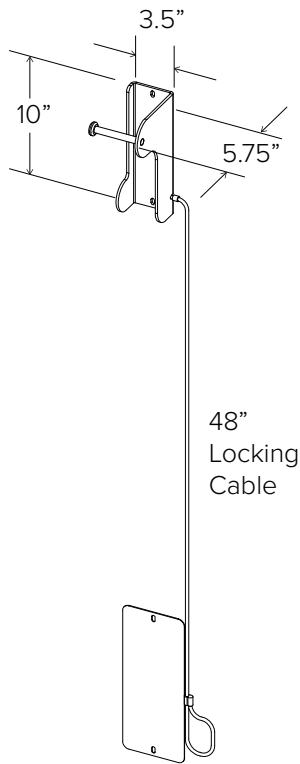
Galvanized



Powder Coat



Black



CAPACITY 1 Bike

MATERIALS **Main Body:** 3/16" steel plate
Security Cable: 3/16" vinyl coated cable
Optional Wall Guard: 14g aluminum plate

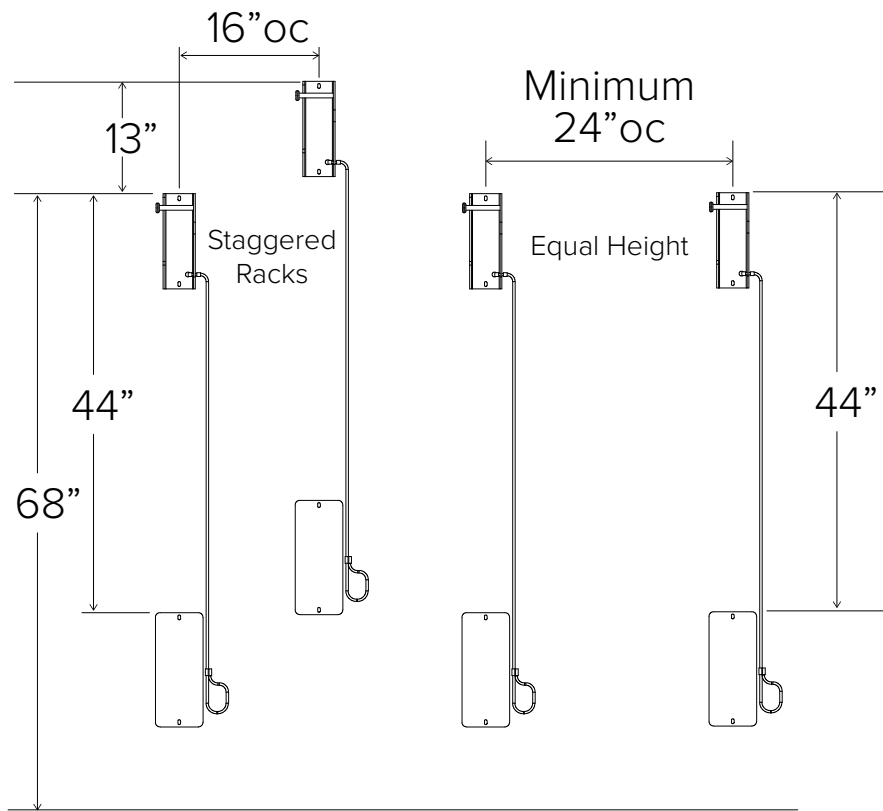
FINISHES

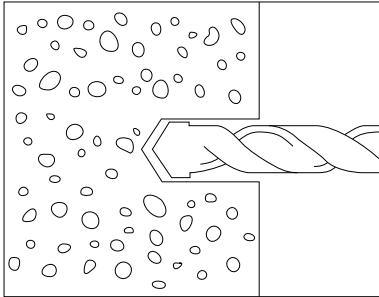
Powder Coat
 A black powder coat finish is our standard option. Our powder coat finish assures a high level of adhesion and durability by following these steps:
 1. Sandblast
 2. Epoxy primer electrostatically applied
 3. Final thick TGIC polyester powder coat

Galvanized
 An after fabrication hot dipped galvanized finish.

MOUNT OPTIONS

Wall Only
 Concrete wall mounted use 3/8" drop-in anchors with tamperproof screws. Wood and drywall mounted use 1/4" lag screws. Concrete block uses drive-in anchors.

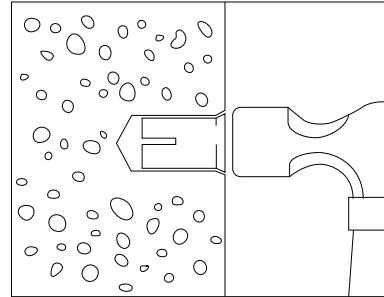


1

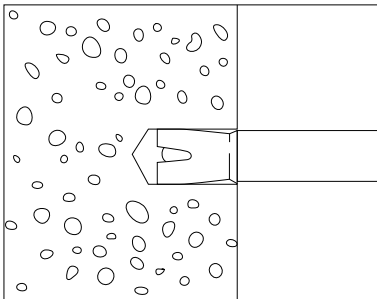
Ø 3/8"

↓ 1"

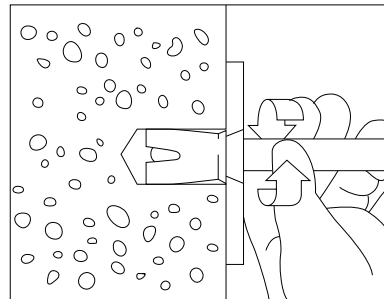
Drill a hole in the base material using a 3/8" diameter masonry bit. Drill the hole to 1" depth. Blow the hole clean using compressed air.

2

Insert Drop-In anchor into hole. Tap with hammer until flush against surface.

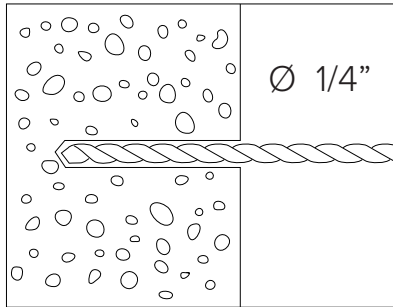
3

Using the Drop-In setting tool, drive expander plug towards the bottom of the anchor until shoulder of setting tool makes contact with the top of the anchor.

4

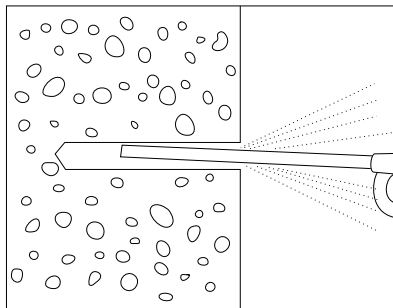
Place rack and screw anchor into wall.

1



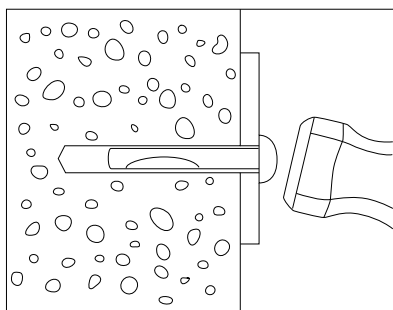
Drill a hole in the base material using a 1/4" diameter masonry bit.

2



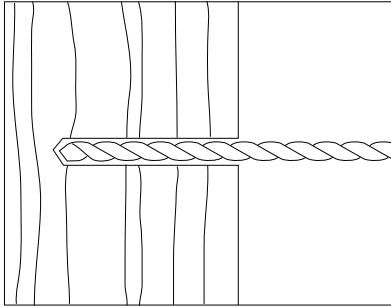
Blow the hole clean using compressed air.

3



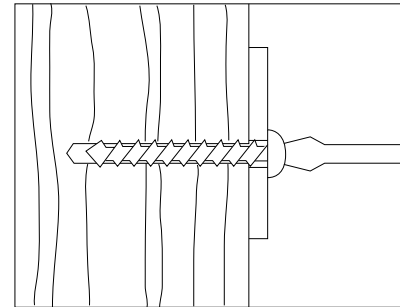
Tap in concrete anchor.

1



Drill small pilot holes into wood studs.
Drywall alone is not sufficiently strong to support loaded rack.

2



Place rack and use provided wood screws to secure to wall.