



Patent #8,950,592

## Dero **Decker**

The Dero Decker takes bike parking to the next level – literally. By stacking bikes on a two-tiered system, capacity doubles. Unlike other two-tier systems our mechanical lift-assist top trays slide down inches from the ground, thus requiring only minimal lifting of the bike into the tray. The Dero Decker has a front wheel safety locking lever and tray dampers to provide safe lowering of upper trays. The near vertical lowered trays also reduce the required aisle space, giving the Dero Decker the smallest footprint on the market.





- Sturdy red handle grips
- Lift-assist trays
- Dampers for safe lowering of trays
- Spring loaded levers hold bikes firmly in place
- U-lock compatible
- Smallest footprint
- Smooth and silent operation
- Simple installation
- Low maintenance
- Specially designed fat bike trays available
- ADA cane-detectable extensions available for lower trays

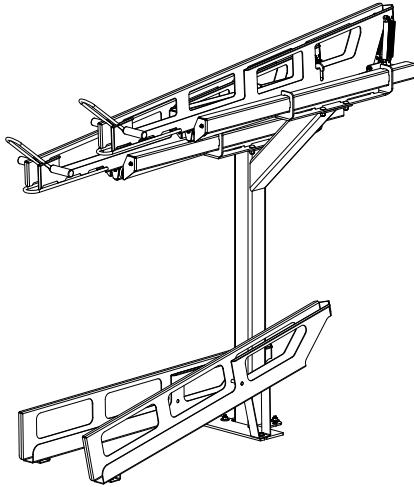
## FINISH OPTIONS

### Galvanized



### Powder Coat

 White	 Black	 Light Gray RAL 7042	 Deep Red RAL 3003	 Yellow RAL 1023
 CNH Bright Yellow	 Orange RAL 2004	 Beige RAL 1001	 Iron Gray RAL 7011	 Hunter Green RAL 6005
 Light Green RAL 6018	 Green RAL 6016	 Sepia Brown RAL 8014	 Blue RAL 5005	 Sky Blue RAL 5015
 Dark Purple	 Flat Black	 Wine Red RAL 3005	 Bronze	 Silver RAL 9007




---

**CAPACITY** 4 Bikes per unit

---

**MATERIALS** Uprights: 4" 11g square tube  
 Upright base: 1/4" plate  
 Cantilevers: 11g plate  
 Cantilever base: 1/4" plate  
 Trays: 11g plate

---

**FINISHES**

**Galvanized**  
 An after fabrication hot dipped galvanized finish is our standard option.

**Powder Coat**  
 Our powder coat finish assures a high level of adhesion and durability by following these steps:  
 1. Sandblast  
 2. Epoxy primer electrostatically applied  
 3. Final thick TGIC polyester powder coat

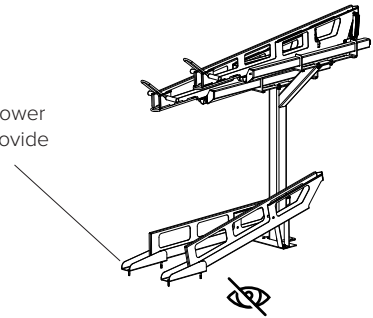
---

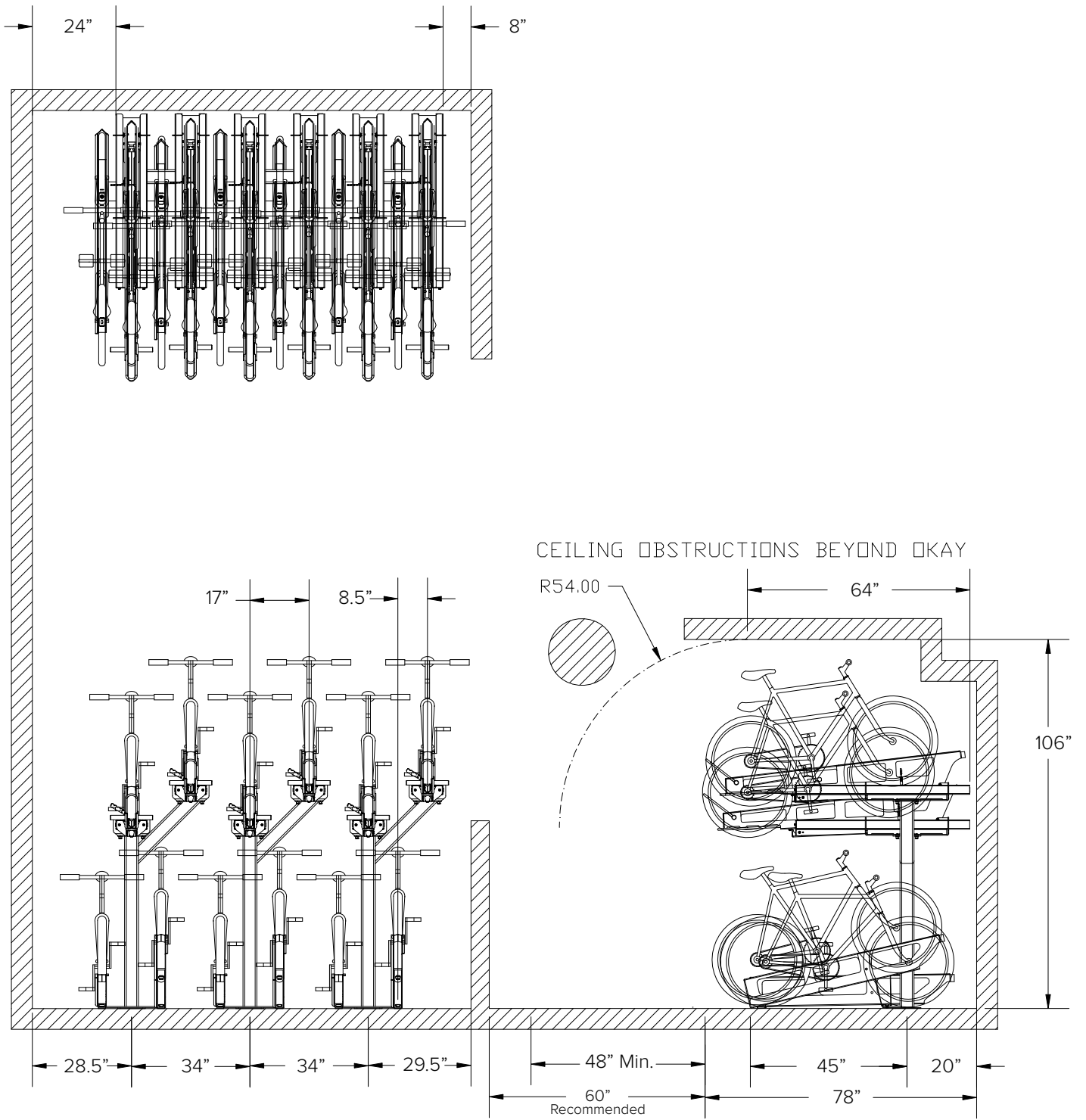
**MOUNT OPTIONS** **Surface only**  
 Each upright has one 1/4" plate feet that accept 1/2" wedge anchors

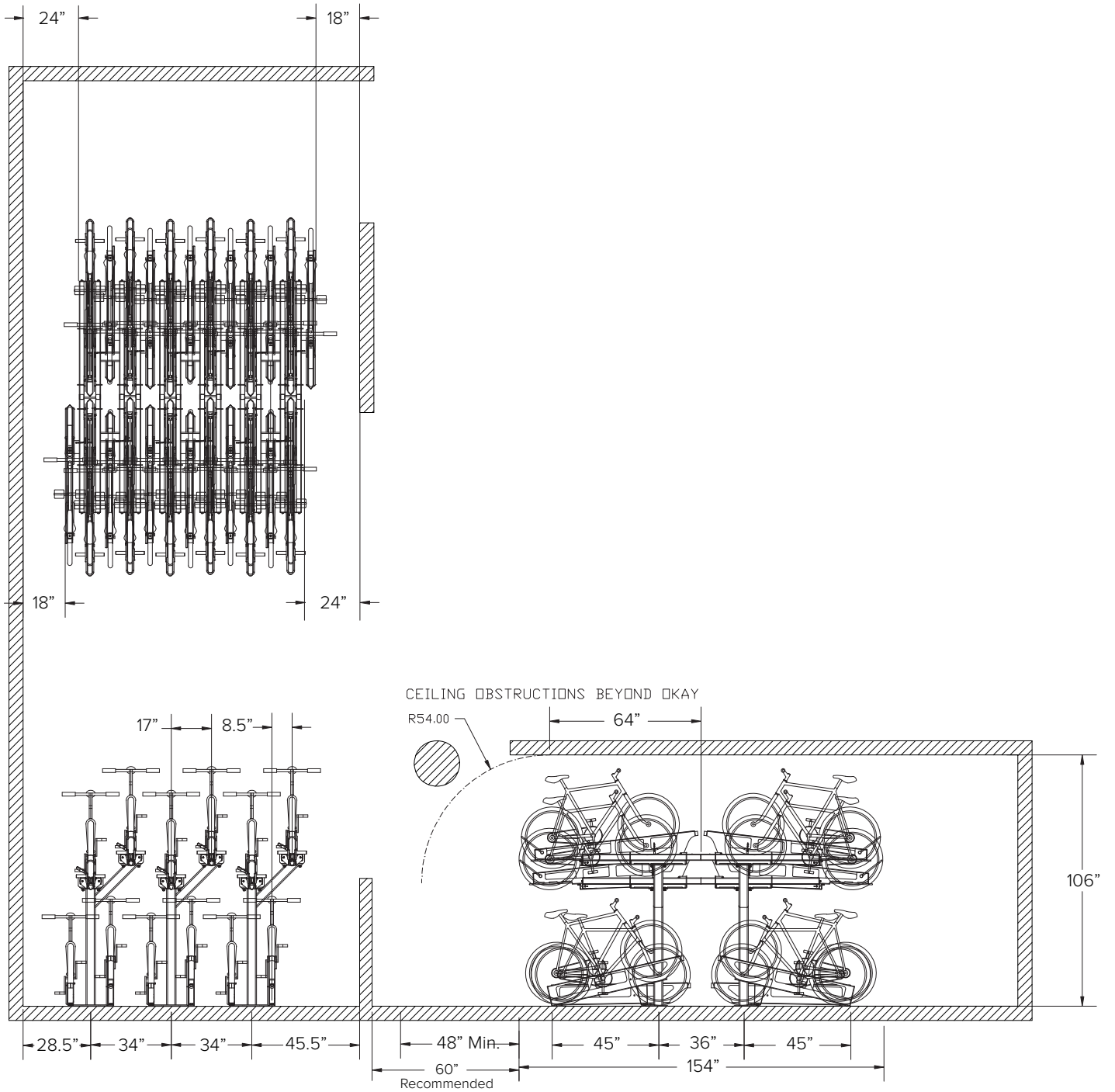
---

**CANE STOPS**  **Add cane stops (additional cost)**  
 Available in galvanized or powder coat finish

Cane-detectable lower tray extensions provide improved safety.







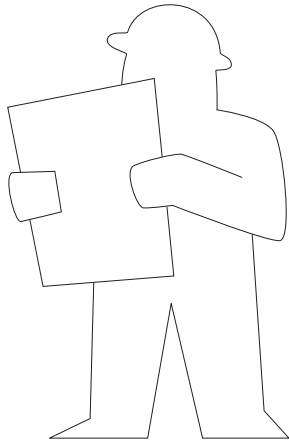

**TOOLS NEEDED**

Hammer drill  
 Masonry bit, 3/8", 1/2"  
 Hammer  
 Socket wrench  
 Sockets, 9/16", 3/4"  
 Socket extension, 4-6"

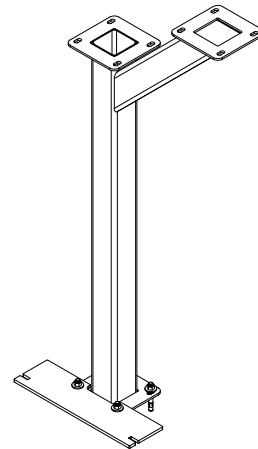
Hex wrench, 3/16"  
 Tape measure  
 Chalk line  
 Marker  
 Level

**RECOMMENDED BASE MATERIAL**

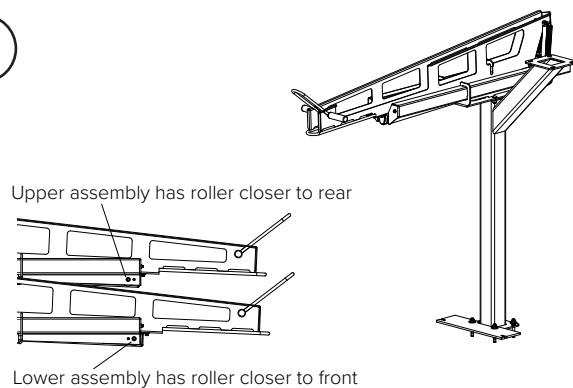
Solid concrete is the best base material for installation. To ensure the proper anchors are shipped with your racks, ask your Dero representative which anchor is appropriate for your application. Be sure nothing is underneath the base material that could be damaged by drilling.

**1**


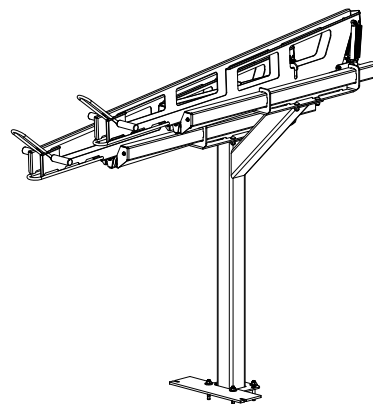
Refer to setback diagrams before installation to ensure sufficient space. Installation surface must be concrete of suitable strength. If surface is not level, contact Dero representative for workable solution.

**2**


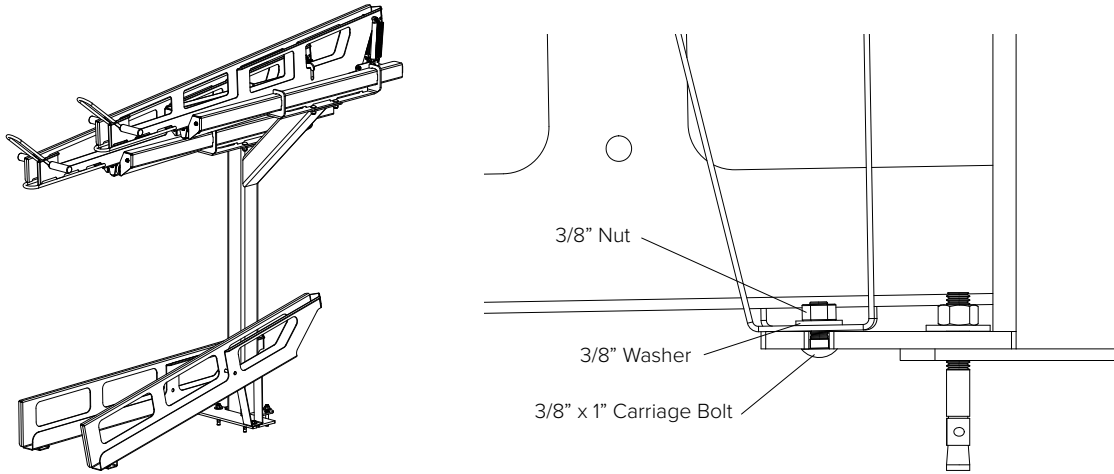
Place the Uprights in position and secure with (4) 1/2" x 3.75" wedge anchors. At least 1.25" of wedge anchor threads should remain above the concrete. The Lower Tray Mount should be placed on the front side of the Upright and secured with the existing wedge anchors.

**3**


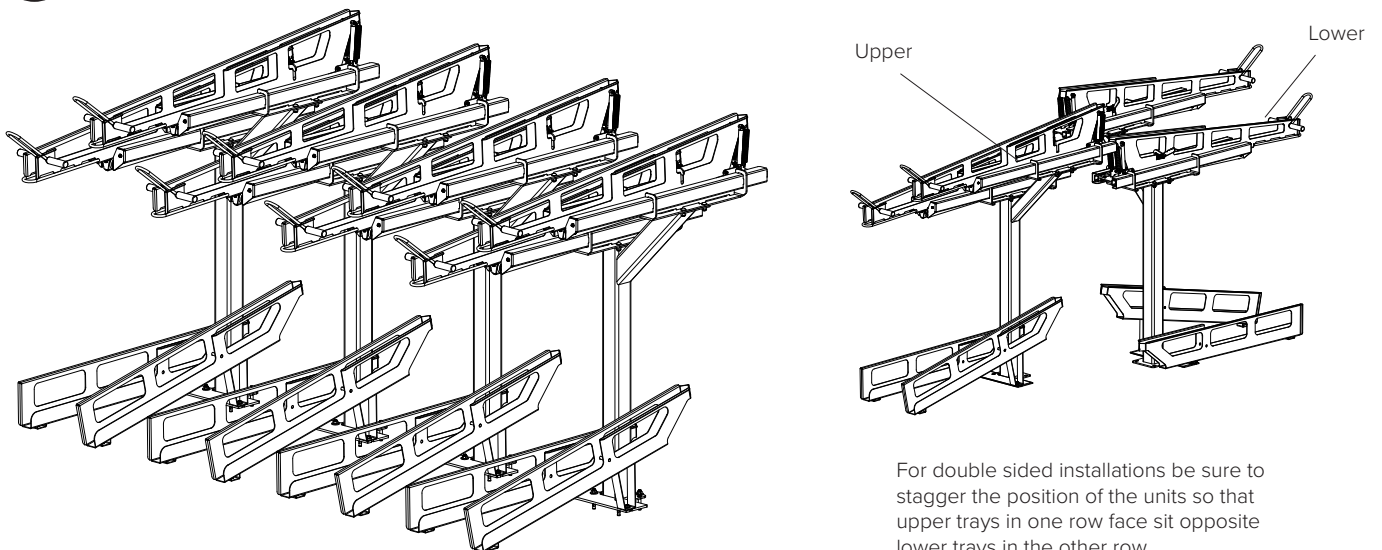
Place the lower Cantilever Assembly on the lower Upright position and secure with (4) 1/2" x 1.25" carriage bolts, 1/2" washers, and 1/2" nylock nuts.

**4**


Do the same for the upper Cantilever Assembly.

**5**

Place the bottom Lower and Upper Trays in position and secure at the rear with (1) 3/8" x 1" carriage bolt, 3/8" washer, and 3/8" nut each. Secure at the front with (1) 3/8" x 3" wedge anchor each.

**6**

For double sided installations be sure to stagger the position of the units so that upper trays in one row face sit opposite lower trays in the other row.

Continue to the next section and repeat the previous steps.

See diagrams below for guidance on installing the optional Cane Stop. This attachment provides a cane-detectable barrier beneath the upper trays of the Dero Decker for improved safety.

