



DERO
A PLAYCORE Company



eHitch™ Charging Rack

Dero's line of e-bike charging racks provides a welcome amenity for the increasing number of electric bike owners who want a secure place to charge up their batteries while parked. Each rack can lock and charge two e-bikes and make a great addition to any indoor bike room.

For indoor use only.

Patent pending

eHitch™ Charging Rack



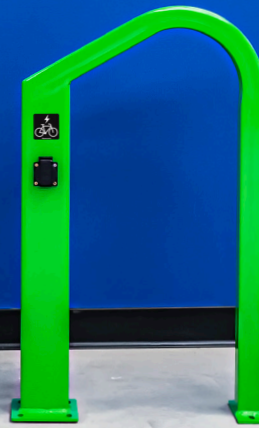
Part of our line of e-bike charging racks



eHitch



eBeam



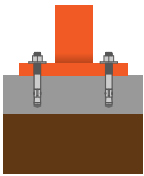
eDowntown



eSwerve

MOUNT OPTIONS

Surface

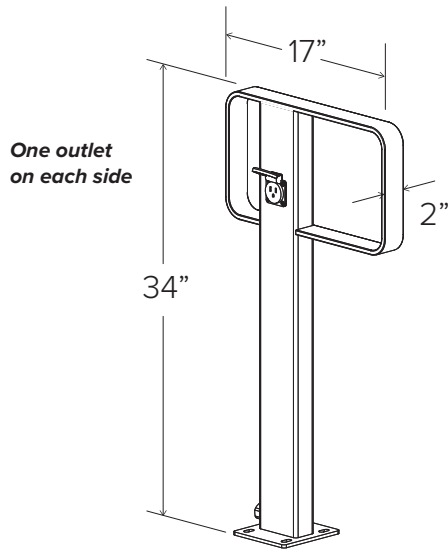


Tamper-resistant fasteners available for an additional cost

FINISH OPTIONS

Powder Coat

White	Black	Light Gray RAL 7042	Deep Red RAL 3003	Yellow RAL 1023
CNH Bright Yellow	Orange RAL 2004	Beige RAL 1001	Iron Gray RAL 7011	Hunter Green RAL 6005
Light Green RAL 6018	Green RAL 6016	Sepia Brown RAL 8014	Blue RAL 5005	Sky Blue RAL 5015
Dark Purple	Flat Black	Wine Red RAL 3005	Bronze	Silver RAL 9007

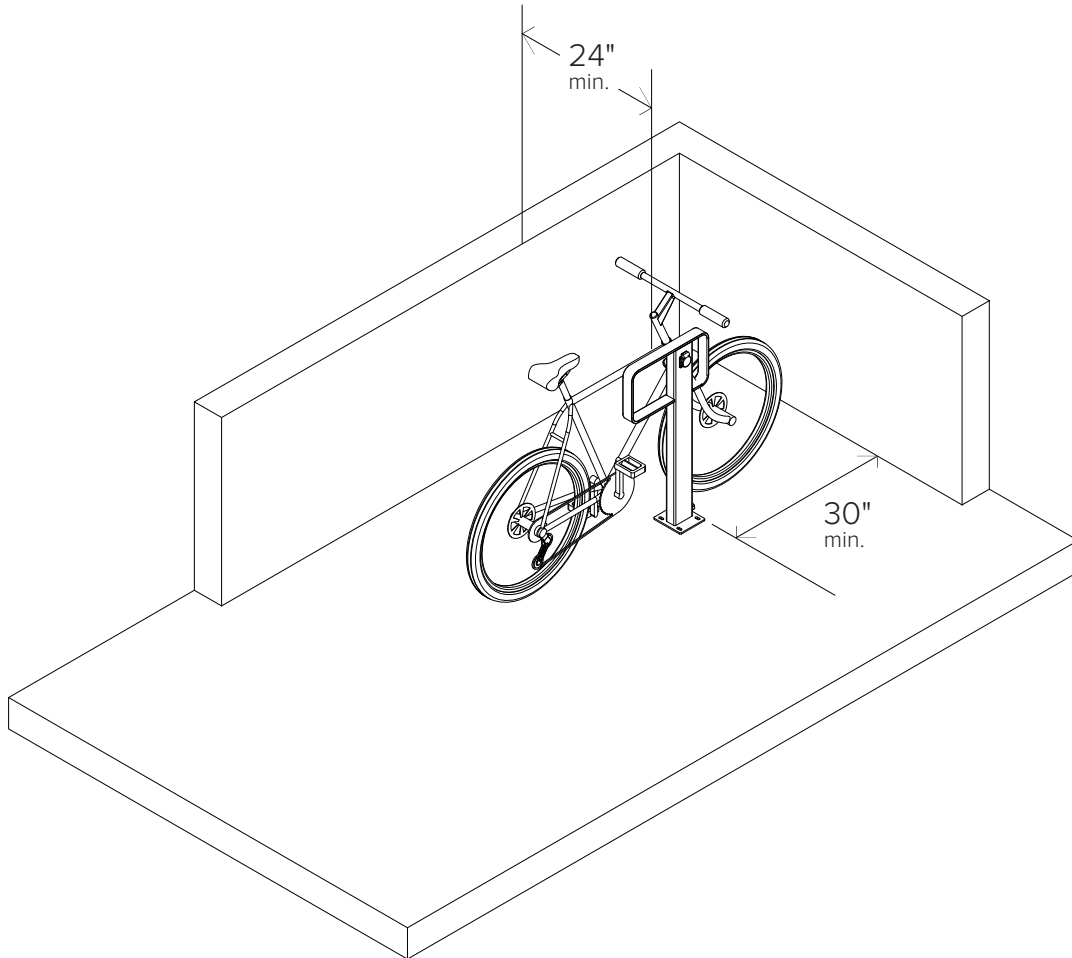


CAPACITY 2 Bikes, one outlet each side

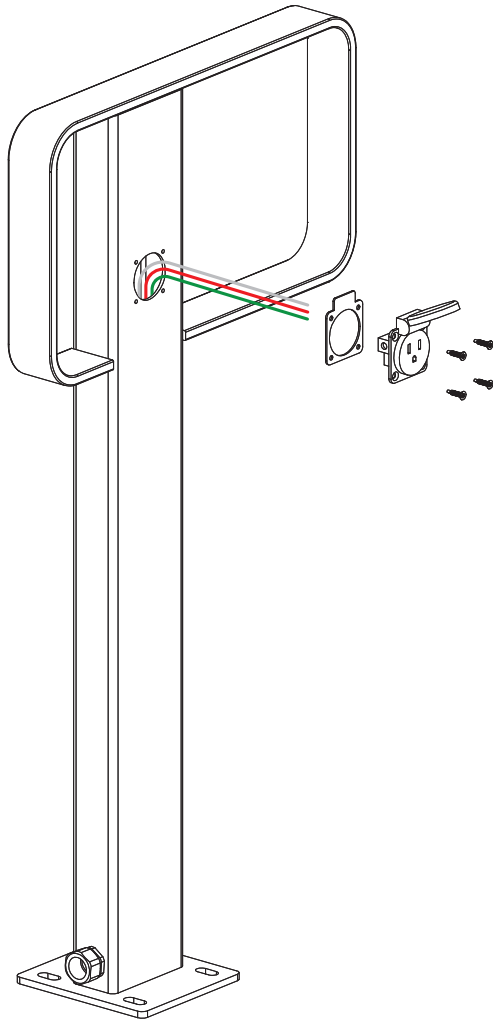
MATERIALS 4" x 2" x 11g rectangle tube, 2" x 3/8" flat bar

FINISHES **Powder Coat Only**
 Our powder coat finish assures a high level of adhesion and durability by following these steps:
 1. Sandblast
 2. Epoxy primer electrostatically applied
 3. Final thick TGIC polyester powder coat

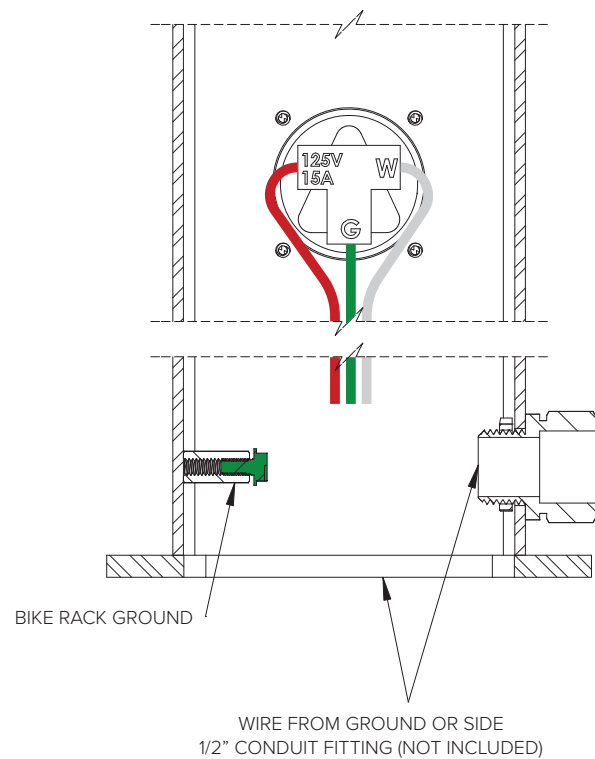
MOUNT OPTIONS **Surface Mount Only**
 Foot mount has a .25" thick steel foot with four anchors per foot. Specify foot mount for this option. Tamper-resistant fasteners available for added security.



All electrical wiring to be performed by a licensed electrician in accordance with NEC or the local electrical code



- 1** Route electrical wires through the bike rack and receptacle gasket.
- 2** Connect electrical wires to receptacle
- 3** Fasten the receptacle and gasket to the bike rack with (4) self-drilling screws
- 4** Repeat for second receptacle
- 5** Attach ground wires with #10 ring lug to bike rack ground with a #10-24 screw + tooth washer
- 6** Connect power and neutral wires to GCFI circuit breaker 125V/15A max

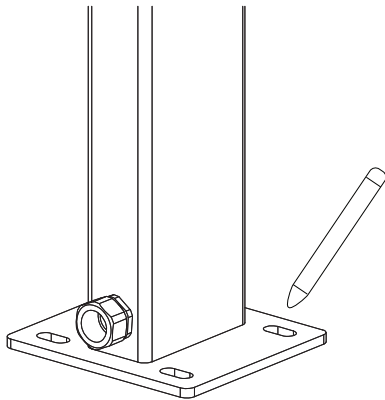



TOOLS NEEDED

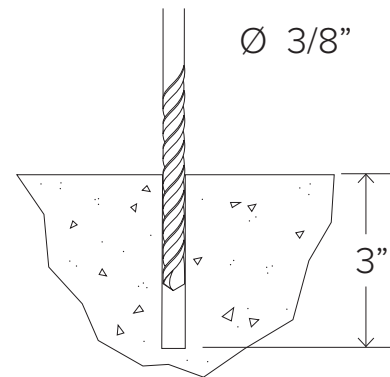
Tape Measure
 Marker or Pencil
 Masonry Drill Bit
 Drill (Hammer drill recommended)
 Hammer
 Wrench 9/16"
 Level
 Washers (for leveling if necessary)

RECOMMENDED BASE MATERIAL

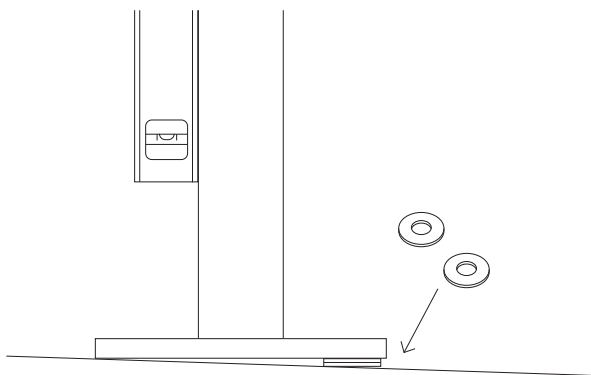
Solid concrete is the best base material for installation. To ensure the proper anchors are shipped with your rack, ask your Dero Rack representative which anchor is appropriate for your application. Be sure nothing is underneath the base material that could be damaged by drilling.

1


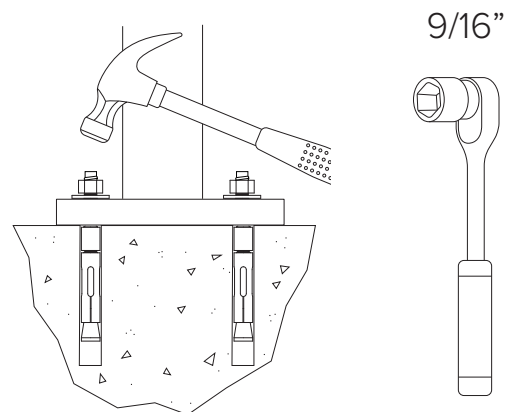
Place the rack in the desired location. Use a marker or pencil to outline the holes of the flange onto the base material.

2


Drill 3/8" diameter holes 3" deep into surface. Make sure the holes are at least 3" away from any cracks in the base material.

3


Place rack (and washers to level rack if necessary) over holes.

4


Thread nuts onto anchors, leaving approximately 1/4" of the anchor protruding, and tap into surface. Tighten nuts down to secure rack.