



DERO
A PLAYCORE Company



eSwerve™ Charging Rack

Dero's line of e-bike charging racks provides a welcome amenity for the increasing number of electric bike owners who want a secure place to charge up their batteries while parked. Each rack can lock and charge two e-bikes and make a great addition to any indoor bike room.

For indoor use only.

Patent pending

©2023



Part of our line of e-bike charging racks



eHitch



eBeam



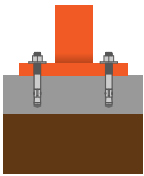
eDowntown



eSwerve

MOUNT OPTIONS

Surface

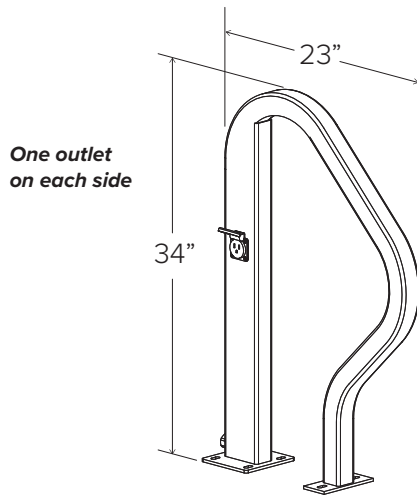


Tamper-resistant fasteners available for an additional cost

FINISH OPTIONS

Powder Coat

- | | | | | |
|-------------------------|--------------------|-------------------------|-----------------------|--------------------------|
| White | Black | Light Gray
RAL 7042 | Deep Red
RAL 3003 | Yellow
RAL 1023 |
| CNH Bright
Yellow | Orange
RAL 2004 | Beige
RAL 1001 | Iron Gray
RAL 7011 | Hunter Green
RAL 6005 |
| Light Green
RAL 6018 | Green
RAL 6016 | Sepia Brown
RAL 8014 | Blue
RAL 5005 | Sky Blue
RAL 5015 |
| Dark Purple | Flat Black | Wine Red
RAL 3005 | Bronze | Silver
RAL 9007 |



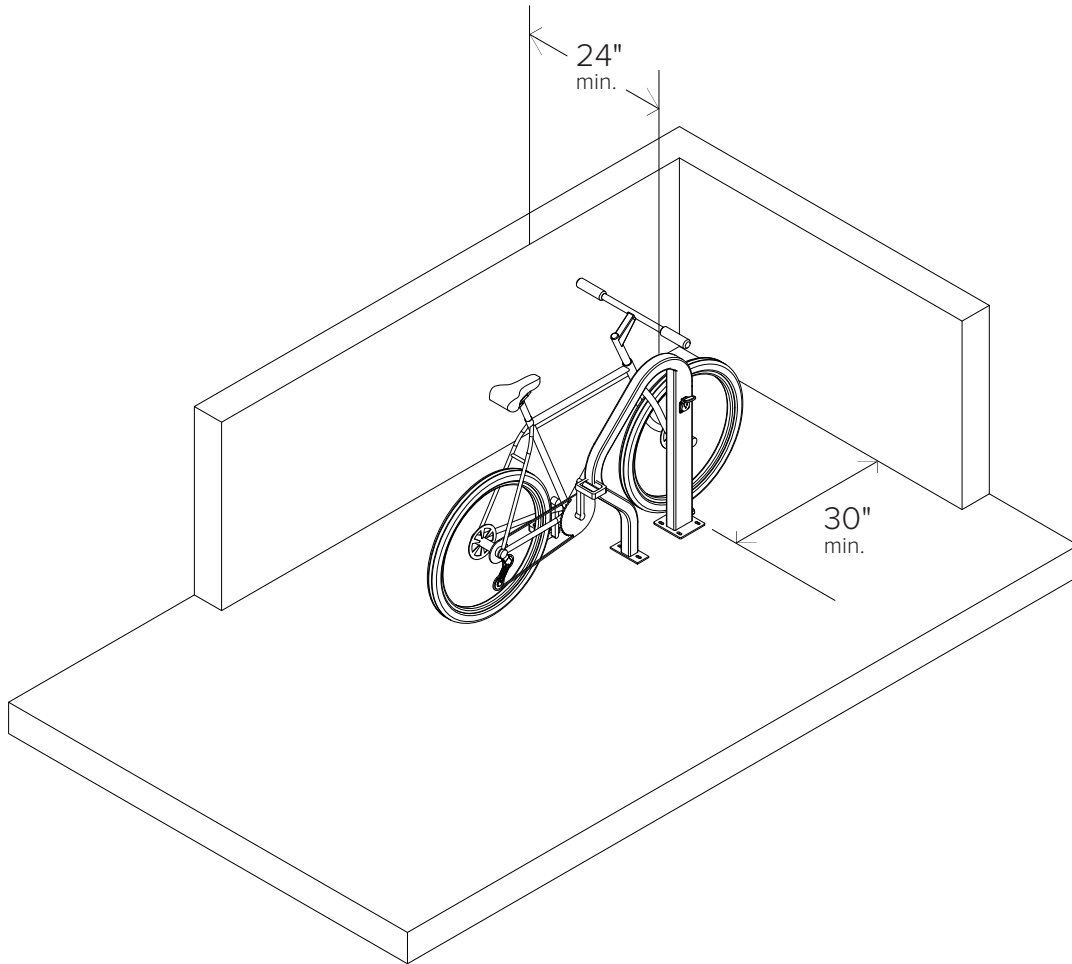
CAPACITY 2 Bikes, one outlet each side

MATERIALS 4" x 2" x 11g rectangle tube, 2" x 11g square tube

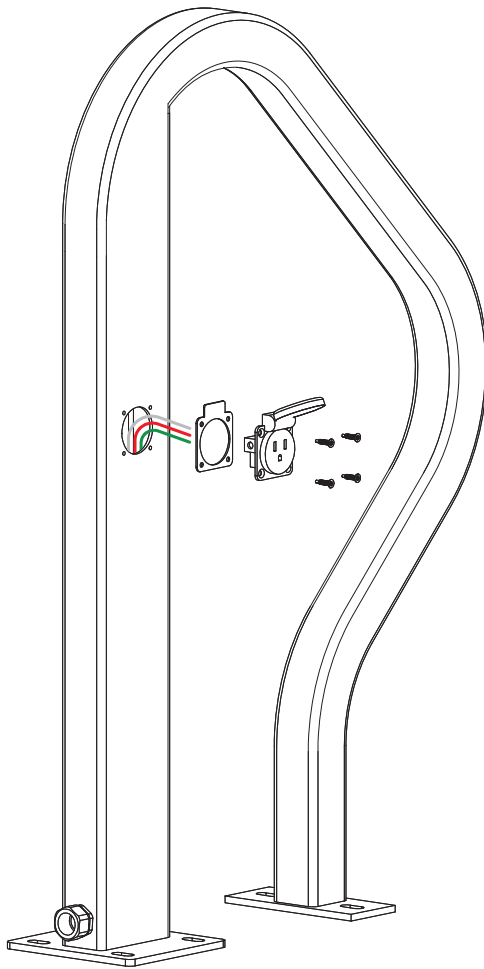
FINISHES **Powder Coat Only**
Our powder coat finish assures a high level of adhesion and durability by following these steps:

1. Sandblast
2. Epoxy primer electrostatically applied
3. Final thick TGIC polyester powder coat

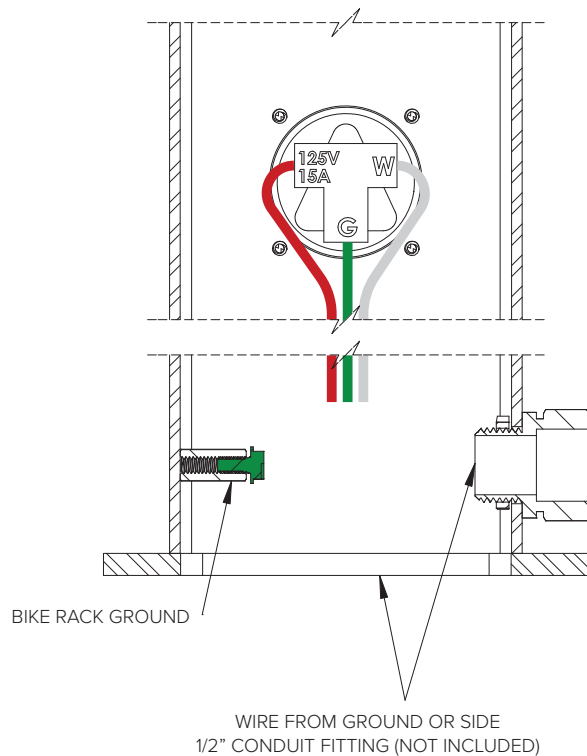
MOUNT OPTIONS **Surface Mount Only**
Foot Mount has .25" steel feet with six anchors in total. Specify foot mount for this option. Tamper-resistant fasteners available for added security.



All electrical wiring to be performed by a licensed electrician in accordance with NEC or the local electrical code



- 1** Route electrical wires through the bike rack and receptacle gasket.
- 2** Connect electrical wires to receptacle
- 3** Fasten the receptacle and gasket to the bike rack with (4) self-drilling screws
- 4** Repeat for second receptacle
- 5** Attach ground wires with #10 ring lug to bike rack ground ground with a #10-24 screw + tooth washer
- 6** Connect power and neutral wires to GCFI circuit breaker 125V/15A max

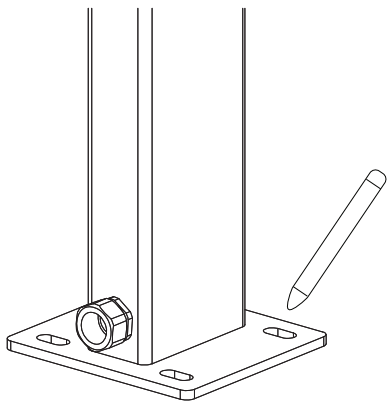



TOOLS NEEDED

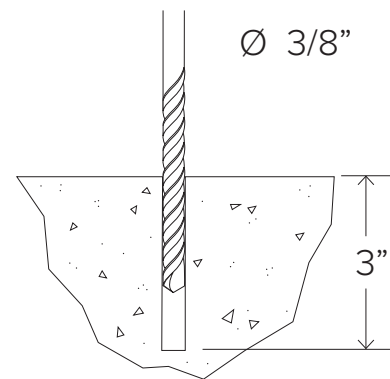
Tape Measure
 Marker or Pencil
 Masonry Drill Bit
 Drill (Hammer drill recommended)
 Hammer
 Wrench 9/16"
 Level
 Washers (for leveling if necessary)

RECOMMENDED BASE MATERIAL

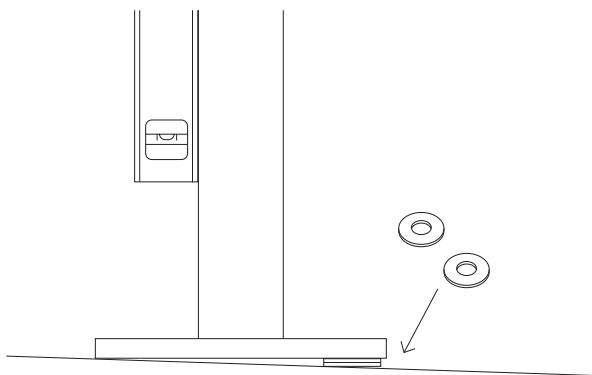
Solid concrete is the best base material for installation. To ensure the proper anchors are shipped with your rack, ask your Dero Rack representative which anchor is appropriate for your application. Be sure nothing is underneath the base material that could be damaged by drilling.

1


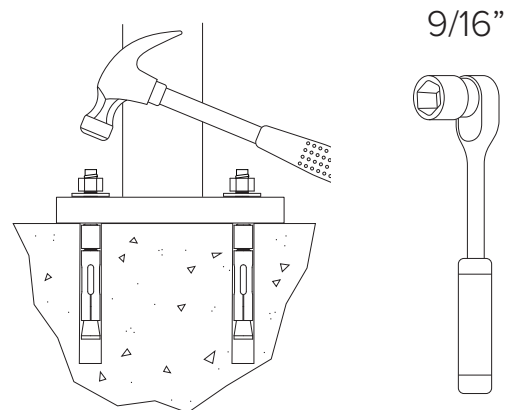
Place the rack in the desired location. Use a marker or pencil to outline the holes of the flange onto the base material.

2


Drill 3/8" diameter holes 3" deep into surface. Make sure the holes are at least 3" away from any cracks in the base material.

3


Place rack (and washers to level rack if necessary) over holes.

4


Thread nuts onto anchors, leaving approximately 1/4" of the anchor protruding, and tap into surface. Tighten nuts down to secure rack.