



DERO
A PLAYCORE Company



U-Lockit™

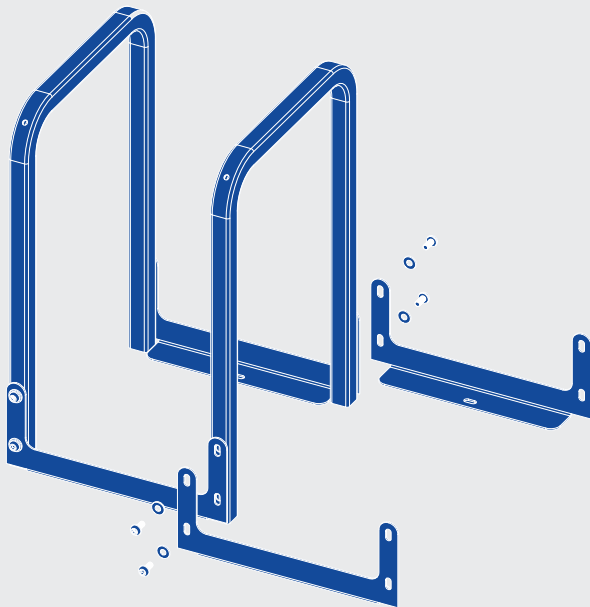
Bicyclists hate old-style “wheel bender” bike racks, the ones where you wedge your wheel between the bars and can’t use a U-lock. We hate them, too! That’s why we made the U-Lockit™ — a small, modular, affordable rack that actually does what bike racks are supposed to do: secure your bike with any lock. Perfect for smaller applications and short-term parking at schools, churches, and small businesses.

Patent 9,592,868 B2

©2023

ADD ON AS NEEDED

Individual U-Lockit™ arms bolt together so you can order just the amount you need, and it's easy to add more later.



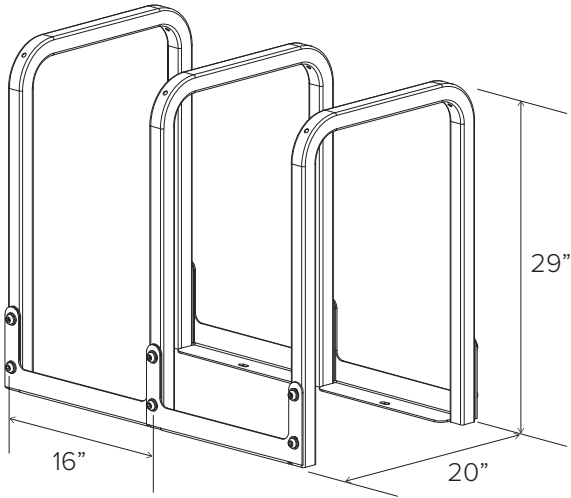
FINISH OPTIONS

Galvanized



Powder Coat

| | | | | |
|---|--|---|---|--|
|  White |  Black |  Light Gray RAL 7042 |  Deep Red RAL 3003 |  Yellow RAL 1023 |
|  CNH Bright Yellow |  Orange RAL 2004 |  Beige RAL 1001 |  Iron Gray RAL 7011 |  Hunter Green RAL 6005 |
|  Light Green RAL 6018 |  Green RAL 6016 |  Sepia Brown RAL 8014 |  Blue RAL 5005 |  Sky Blue RAL 5015 |
|  Dark Purple |  Flat Black |  Wine Red RAL 3005 |  Bronze |  Silver RAL 9007 |



CAPACITY

Single Sided: 1 bike per hoop
Double Sided: 2 bikes per hoop

3 hoop minimum needed for stability

MATERIALS

Hoop: 1.5" 11g sq. tube
Connectors: 11g plate

FINISHES

Galvanized

An after fabrication hot dipped galvanized finish is our standard option. Pre-fabrication galvanizing is standard on panel components.

Powder Coat

Our powder coat finish assures a high level of adhesion and durability by following these steps:

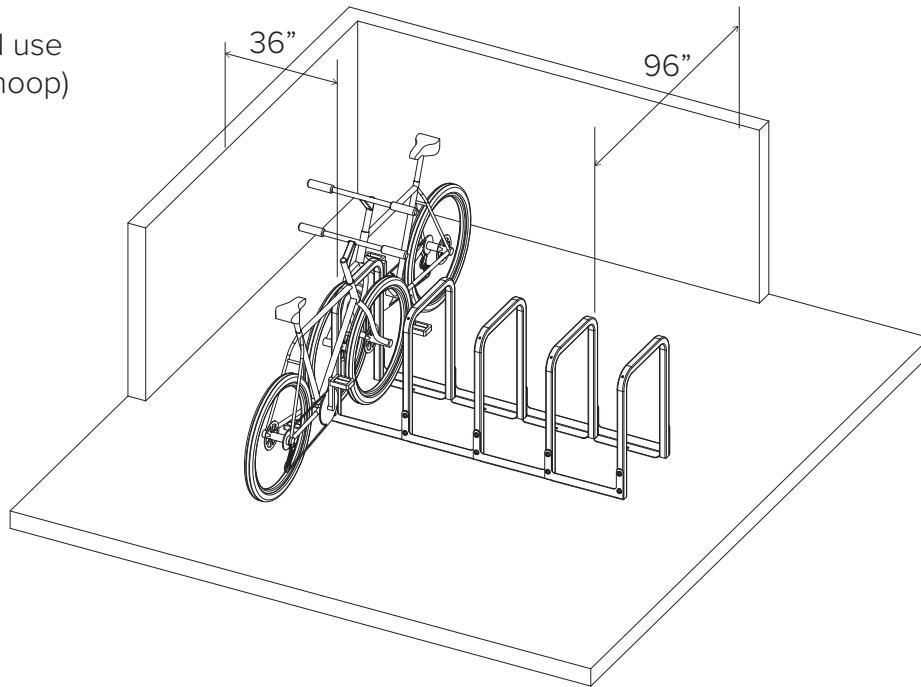
1. Sandblast
2. Epoxy primer electrostatically applied
3. Final thick TGIC polyester powder coat

MOUNT OPTIONS

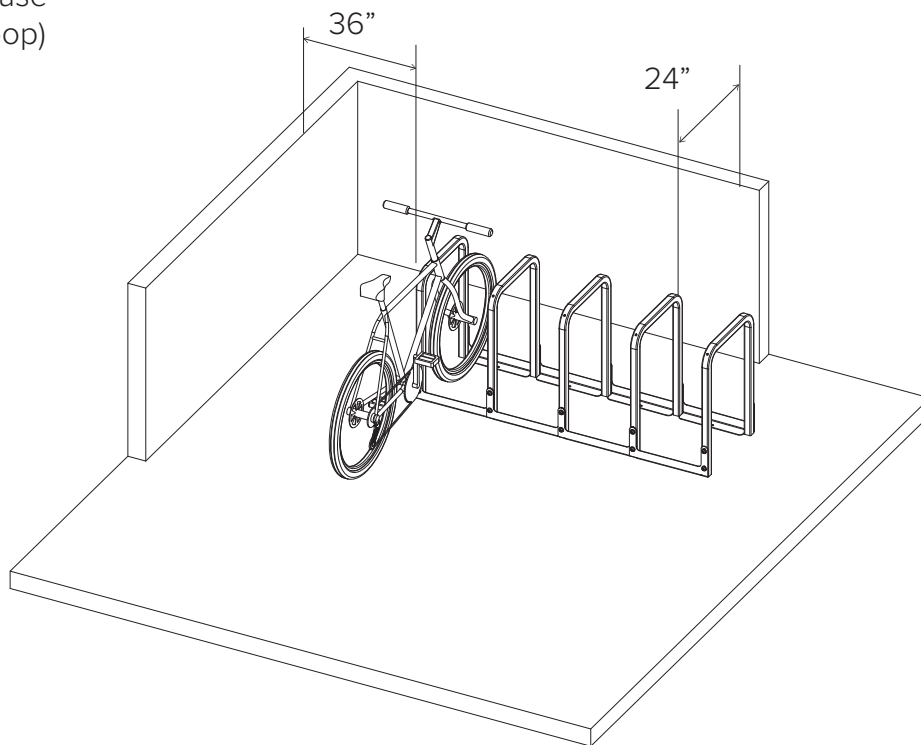
Surface only

All connections and mounting parts have pre-threaded mounting holes (except the feet). No drilling or tapping required. Dero recommends anchoring the U-Lockit to the installation surface.

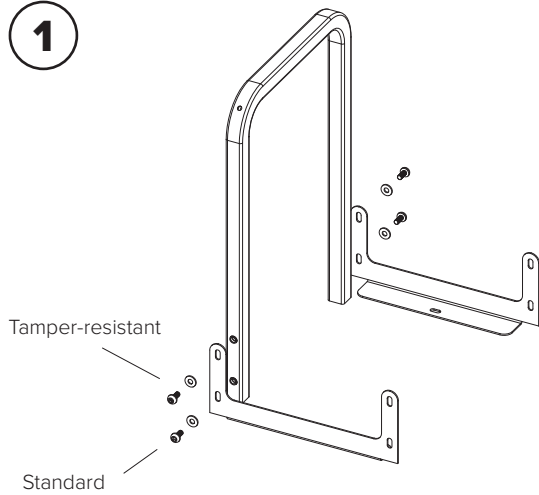
Double sided use
(2 bikes per hoop)



Single sided use
(1 bike per hoop)

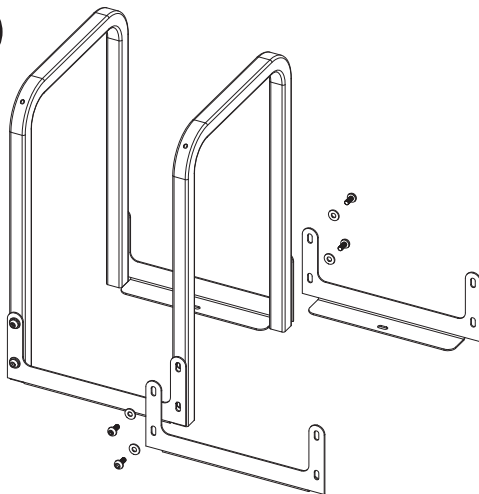


1



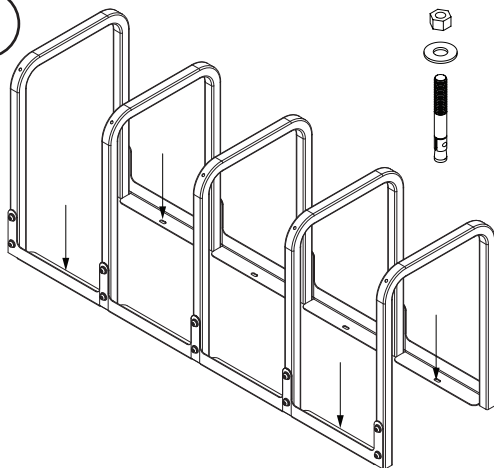
Place the rack in the desired location. Use a marker or pencil to outline the holes of the flange onto the base material.

2



Attach the next hoop and (2) plates with (2) 3/8" x 1" tamper-resistant bolts, (2) 3/8" x 1" bolts, and (4) washers. Continue attaching hoops and plates as needed.

3



When assembly is completed, position the assembly and anchor to the ground through the slotted holes in the plates on each end of the run of racks. For longer runs you may also need to add anchors to a middle section.