



*Example shown above is a 4-unit section.
Lengths may vary based on your space.*

Ultra Space Saver™ Squared

Dero's Ultra Space Saver Squared offers high-security, vertical bike parking. Adjustable sliding arms make it easy for customers to best utilize their space. It also creates flexibility to make sure bike spacing follows city requirements as they evolve. Pipe-cutter resistant squared steel tubing makes the Ultra Space Saver Squared more secure than the original Ultra Space Saver.

Patent D774,441

Ultra Space Saver™ Squared



- Modular design fits nearly any space
- U-lock compatible
- Easy assembly
- Double your capacity
- Square tubing for greater security
- Spacing between arms can be varied
- Tire stops available
- ADA cane stops available



FINISH OPTIONS

Galvanized

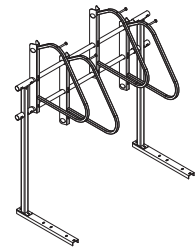


Powder Coat

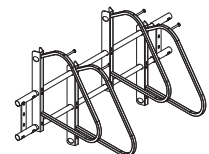
 White	 Black	 Deep Red RAL 3003	 Yellow RAL 1023
 CNH Bright Yellow	 Orange RAL 2004	 Beige RAL 1001	 Hunter Green RAL 6005
 Light Green RAL 6018	 Green RAL 6016	 Sky Blue RAL 5015	 Blue RAL 5005
 Dark Purple	 Flat Black	 Wine Red RAL 3005	 Iron Gray RAL 7011
 Light Gray RAL 7042	 Silver RAL 9007	 Sepia Brown RAL 8014	 Bronze

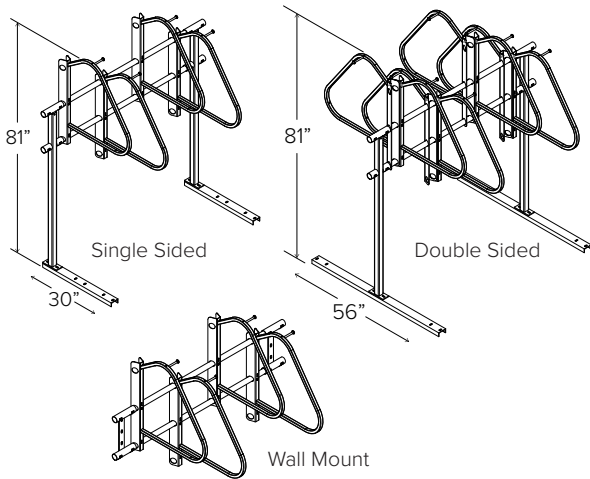
MOUNT OPTIONS

Floor

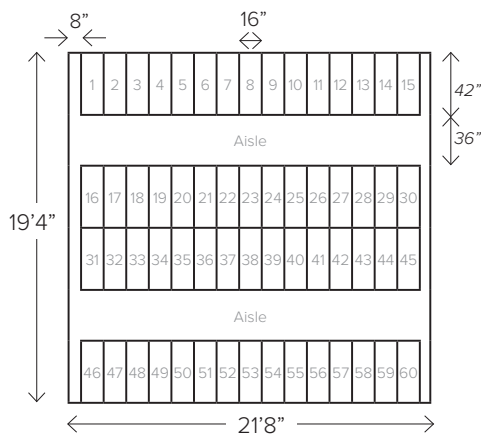
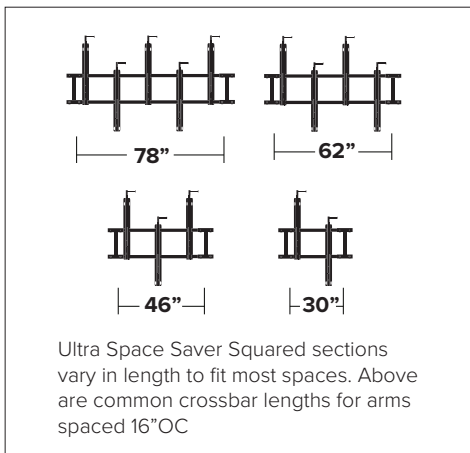


Wall





(Examples above show 62" long crossbar sections)



As a general guideline, the above space can fit approximately 60 bicycles.

The Ultra Space Saver Squared parks one bike every 16" with a typical bike extending out 42" from the wall.

CAPACITY

Modular construction
1 bike per arm

MATERIALS

Hanger: 1" square tube with steel slider head with tamperproof locking bolts.
Upright: 2" square tube.
Feet: AISI C3 x 4.1 galvanized steel channel.
Crossbeams: 1.25" sched. 40 galvanized pipe.

FINISHES

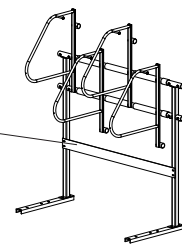
- Black Powder Coat (Interior Use)**
Our interior powder coat finish assures a high level of adhesion and durability for indoor use by following these steps:
1. Sandblast
2. Final thick TGIC polyester powder coat
- Black Powder Coat (Exterior Use) Additional Cost**
Our exterior powder coat finish assures a high level of adhesion and durability for outdoor or exposed air use by following these steps:
1. Sandblast
2. Epoxy primer electrostatically applied
3. Final thick TGIC polyester powder coat

MOUNT OPTIONS

- Floor mount**
Ultra Space Saver Squared have steel channel feet (30" for single sided and 56" for double sided units) which must be anchored to the floor.
- Wall mount**
A wall mounted unit which contains special brackets is also available for CMU or solid concrete walls. Cannot be used on sheetrock without additional support.

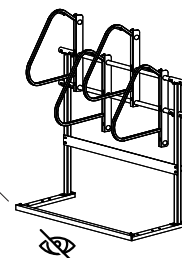
WHEEL STOPS

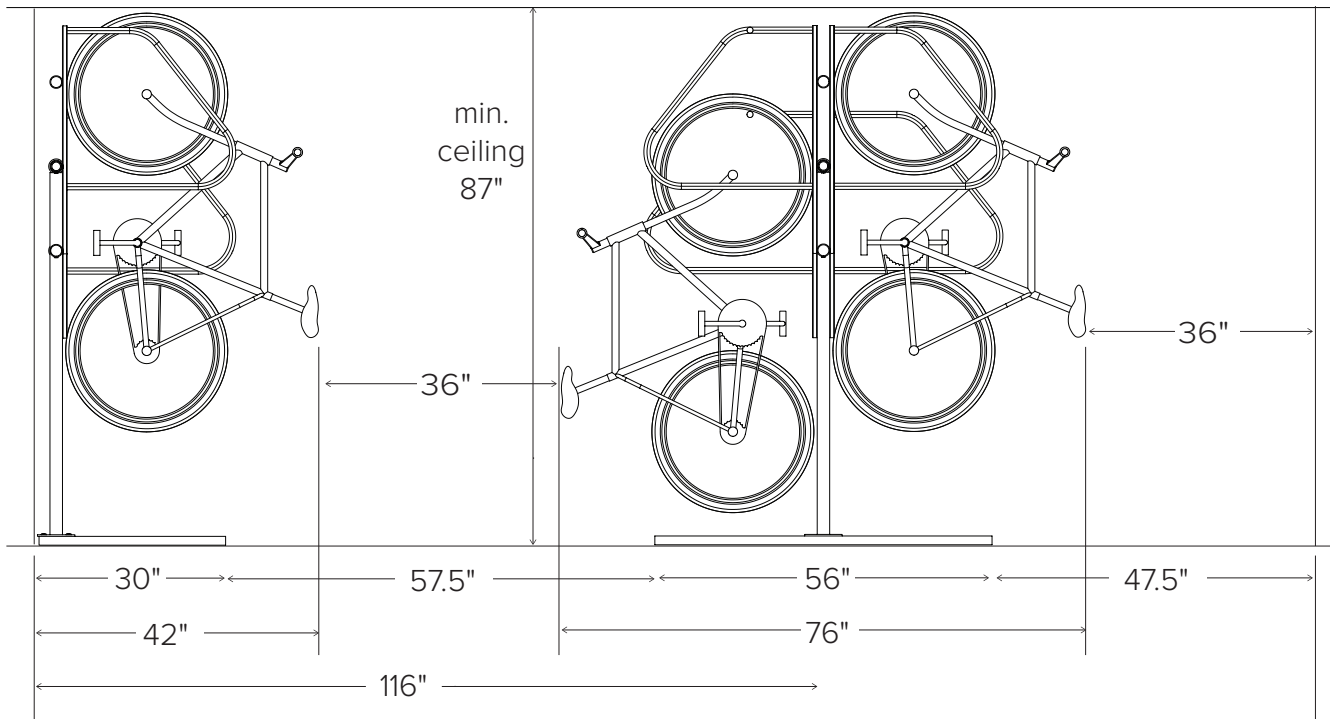
- Include wheel stops**
Optional wheel stops are available for both floor and wall mounted racks for an additional cost



CANE STOPS

- Include cane stops**
Optional cane-detectable stops are available for both floor and wall mounted racks for an additional cost





The Ultra Space Saver Squared has several steps for installation. Note that the single and double sided setups and parts are different. Make sure you follow the instructions according to the model you ordered.

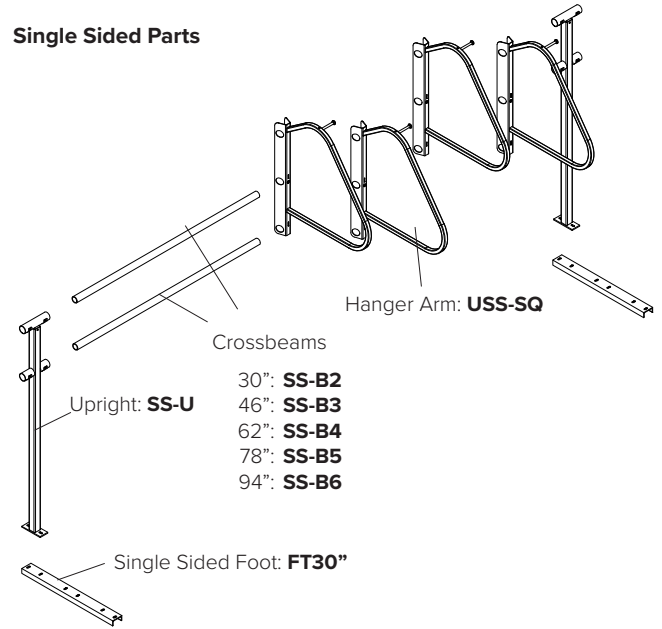
Recommended Base Materials:

Solid concrete is the best base material for installation. Make sure nothing is underneath the base material that could be damaged by drilling (i.e. post-tension cable). Use the 3.75" wedge anchors that are included to install the rack into the concrete (wall anchors are 3").

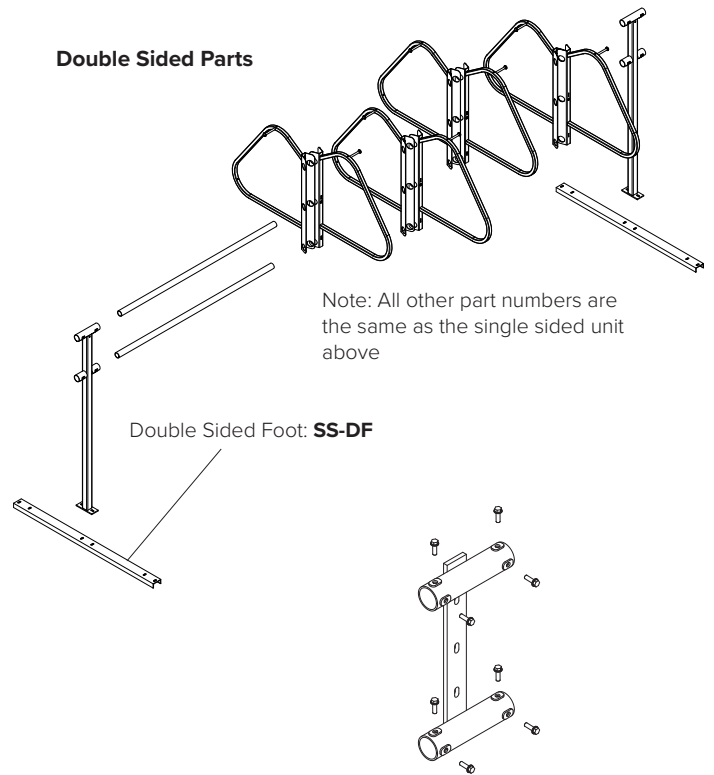
Installation:

Sort out the parts to the rack and identify each of them accordingly. The 1" carriage bolts are for assembly of the rack and the 3.75" wedge anchors are for mounting the rack to the floor.

Single Sided Parts

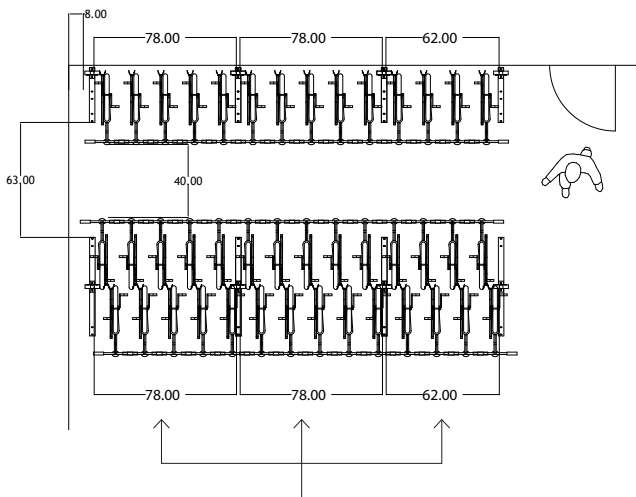


Double Sided Parts



Reading your Dero designed layout

Ultra Space Saver Squared come in varying configurations, making it **very important** that you carefully **follow the layout provided by Dero** when installing the racks. If you do not follow the diagram, you may well end up short of parts. The length of each Ultra Space Saver Squared unit will be indicated in your layout like the example below.



Be sure to use the crossbar lengths indicated in your layout!


TOOLS NEEDED

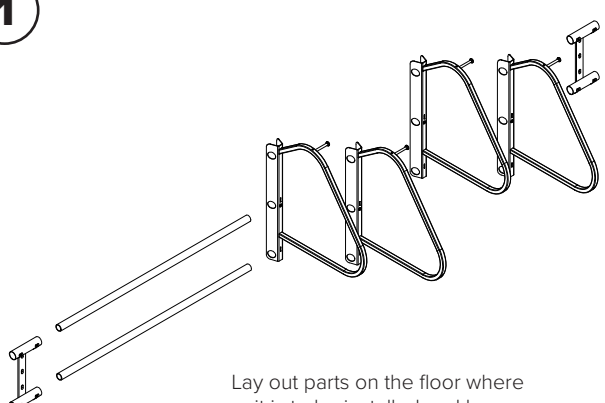
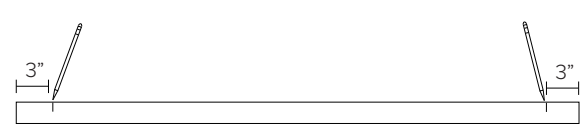
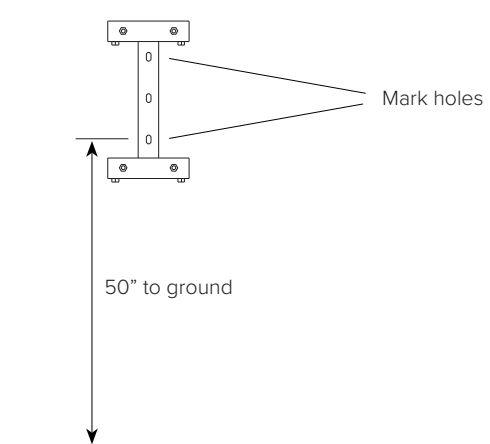
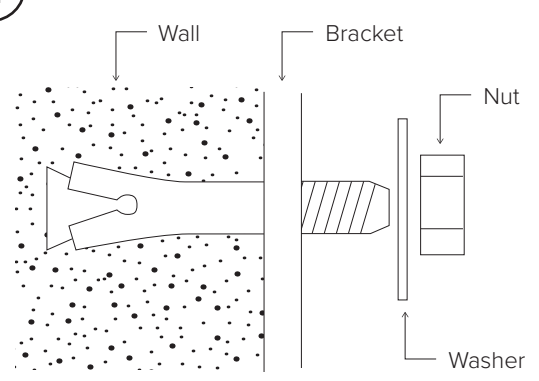
9/16" Wrench/Socket
 3/8" or 1/2" Masonry Drill Bit (Depending on anchor type)
 Tape Measure
 Drill (Hammer drill recommended)
 Hammer
 Level
 Marker or pencil
 Pin-in-hex tool (provided)

NOTE

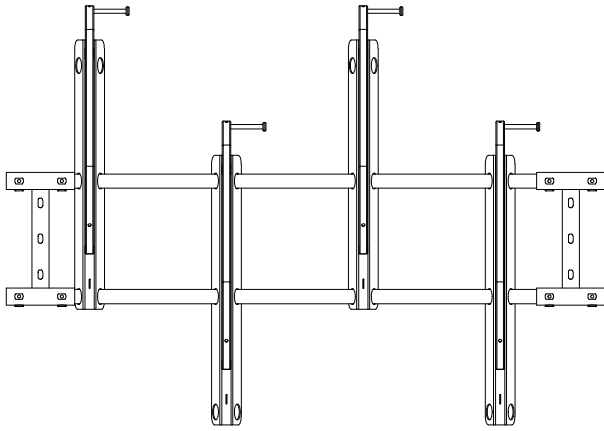
Before installing make sure the wall is strong enough to accommodate the rack fully loaded with bikes. Steel stud walls are not suitable for installation



Examples shown in these instructions represent 4-unit sections. Actual lengths may vary based on your space. Please follow any Dero provided layout closely when installing racks.

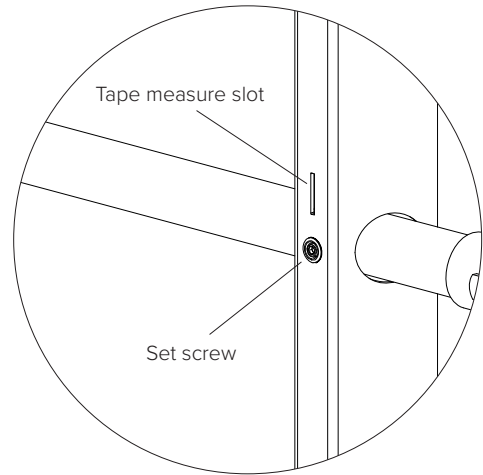
<div style="text-align: center; font-size: 2em; font-weight: bold; border: 1px solid black; border-radius: 50%; width: 40px; height: 40px; margin: 0 auto; display: flex; align-items: center; justify-content: center;">1</div>  <p style="text-align: center;">Lay out parts on the floor where unit is to be installed and be sure you have all necessary parts.</p>	<div style="text-align: center; font-size: 2em; font-weight: bold; border: 1px solid black; border-radius: 50%; width: 40px; height: 40px; margin: 0 auto; display: flex; align-items: center; justify-content: center;">2</div>  <p style="text-align: center;">On crossbeams, Place a mark three inches from each end. This mark will show you how far to slide the crossbeam into the wall bracket.</p>
<div style="text-align: center; font-size: 2em; font-weight: bold; border: 1px solid black; border-radius: 50%; width: 40px; height: 40px; margin: 0 auto; display: flex; align-items: center; justify-content: center;">3</div>  <p style="text-align: center;">Place first wall bracket on wall where you want to install the bike rack. The lowest hole of bracket should be 50" from the ground. Mark holes for drilling.</p>	<div style="text-align: center; font-size: 2em; font-weight: bold; border: 1px solid black; border-radius: 50%; width: 40px; height: 40px; margin: 0 auto; display: flex; align-items: center; justify-content: center;">4</div>  <p style="text-align: center;">Drill Holes into wall, put the wall bracket back up and insert wall anchors through holes in bracket and set the anchors. For setting the anchors and diameter and depth of holes, follow instructions sent with the anchors. Make sure bracket is level.</p>

5



Stagger height of arms

Thread 3/8" by 3/4" tightening bolts into holes in bracket. Insert crossbeams into bracket. Slide on arms and make sure arms are staggered. Use provided security tool to secure the arms with the set screws 16" apart on-center. Install end bracket, making sure crossbeams are level.

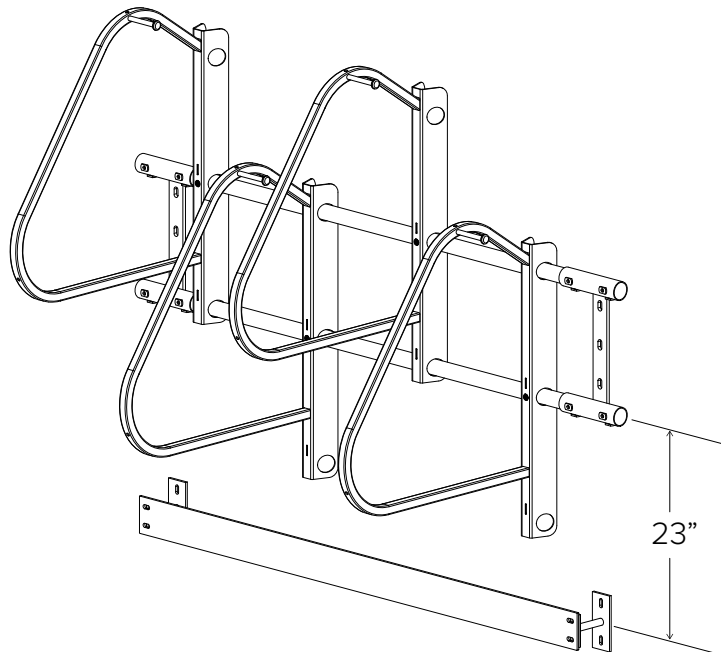


6

If installing more than one set of Ultra Space Saver Squared arms, continue from last installed wall bracket and repeat steps 3-5 above.

Optional Wheelstop

For the optional wall-mounted wheelstop, anchor the unit to the wall so that the center of the wheelstop bracket is 23" below the center of the bottom slot of the crossbeam bracket.

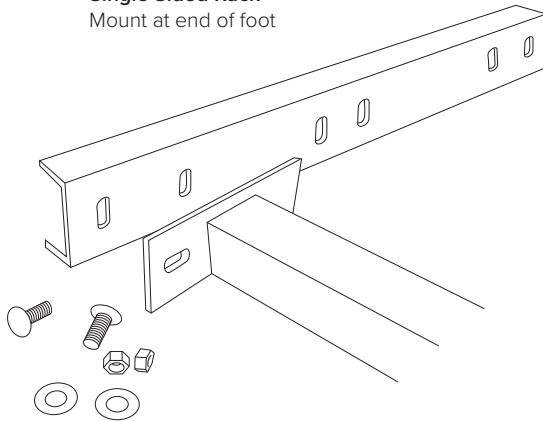
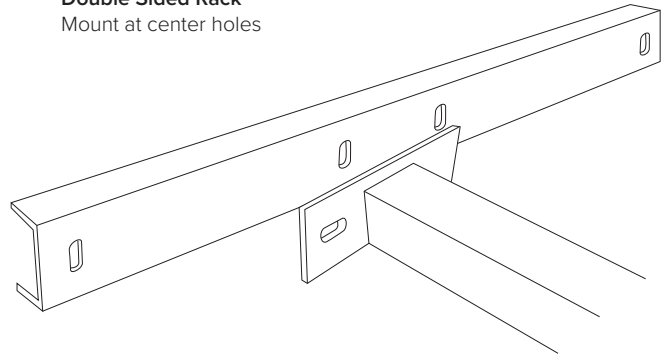


**TOOLS NEEDED**

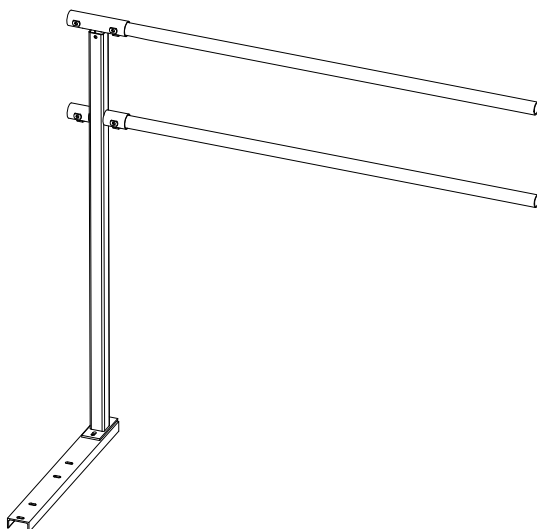
9/16" Wrench/Socket
3/8" Masonry Drill Bit
Tape Measure
Drill (Hammer drill recommended)
Hammer



Examples shown in these instructions represent 4-unit sections.
Actual lengths may vary based on your space. Please follow any Dero
provided layout closely when installing racks.

1**Single Sided Rack**
Mount at end of foot**Double Sided Rack**
Mount at center holes

Measure out space. Attach feet to uprights with carriage bolts provided.

2

Place crossbeams into brackets. Finger-tighten bolts
to hold crossbeams loosely in place.

3

Carefully slide first hanger arm onto crossbeams. For single-sided racks leave a 3" space between the hanger arm and mounting bracket. Use the provided security tool to tighten set screw to hold hanger arm in place.

4

Top view, correct double sided alignment (pegs face out)

Gently slide on remaining arms making sure to stagger height of each arm and tighten each set screw. Standard spacing between arms is 16". For double sided model slide arms on opposite each other. Repeat until the crossbeams are full.

To avoid bicycle conflict on double sided units make sure each arm is installed to the right of its paired arm facing the opposite way (see diagram above).

5

Attach the second upright. Tighten bolts to secure crossbeams in brackets. For add-on units repeat steps.

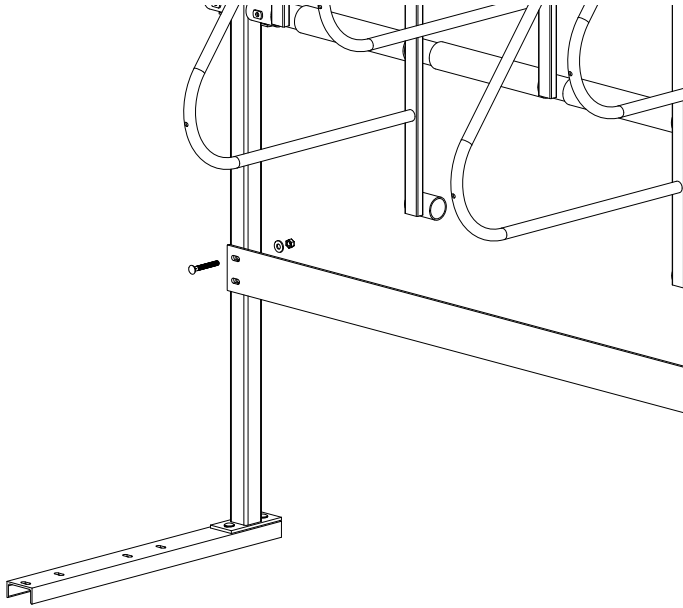
6

Wedge anchor runs through rail into concrete

Anchor rack to floor with 3.75" wedge anchors.

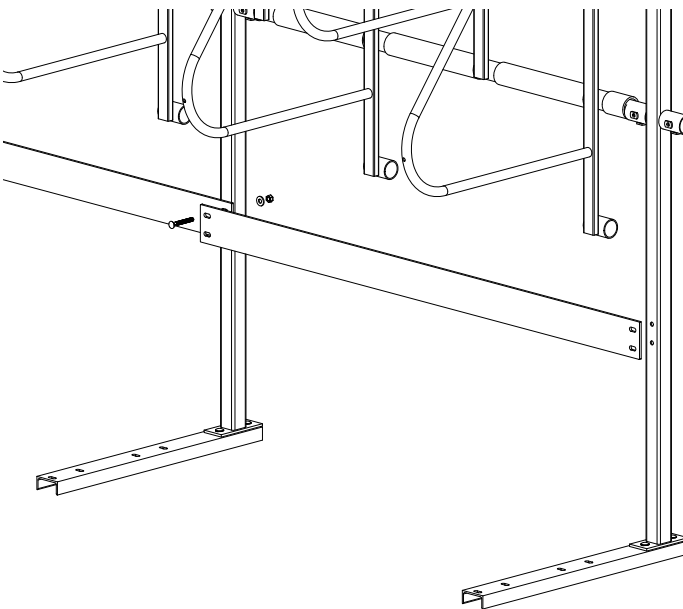
See diagrams on ensuing page for instructions on installing the optional cane stops.

1



Attach tire stop to uprights with supplied hardware.

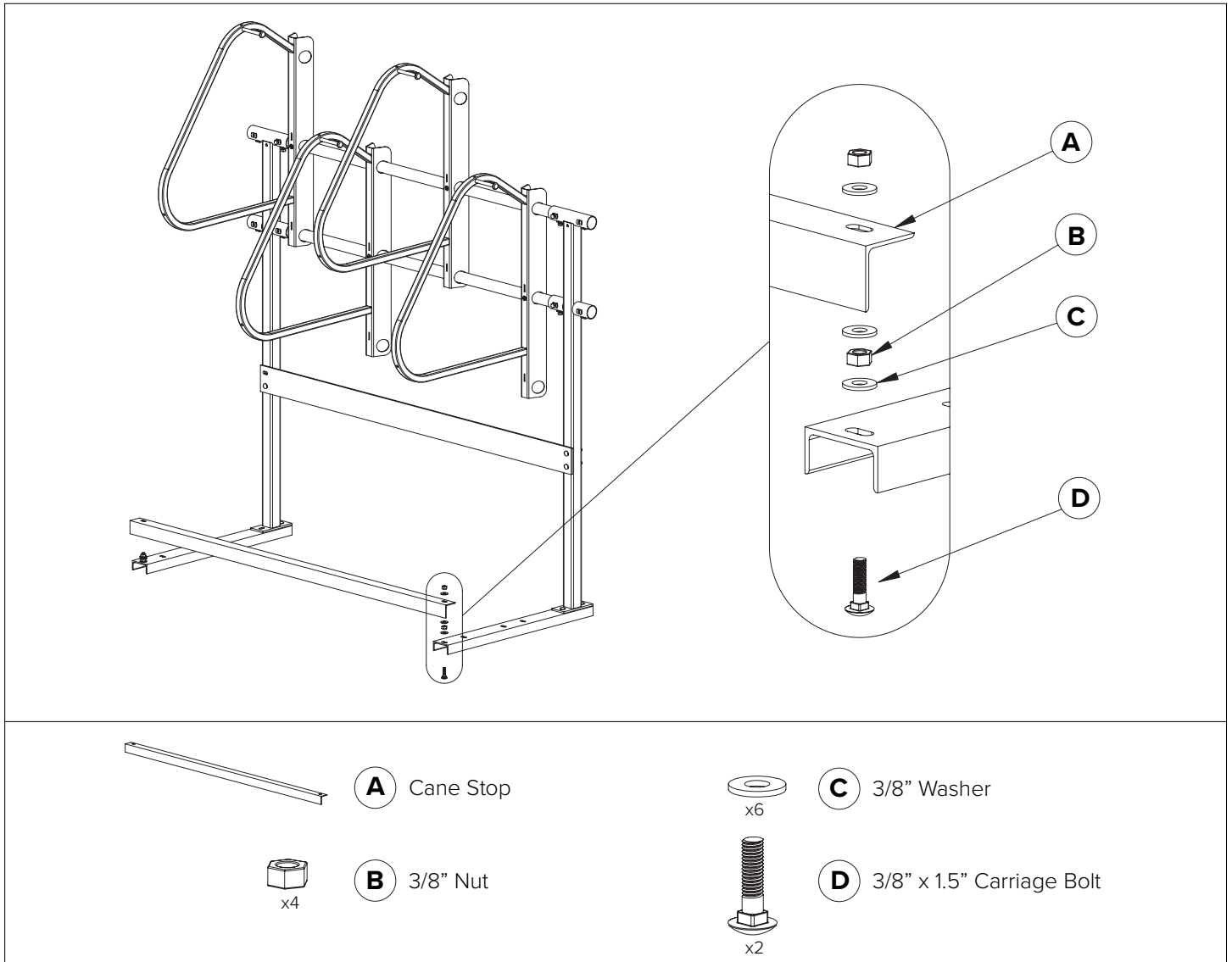
2



Continue attaching tire stops if using a modular system.

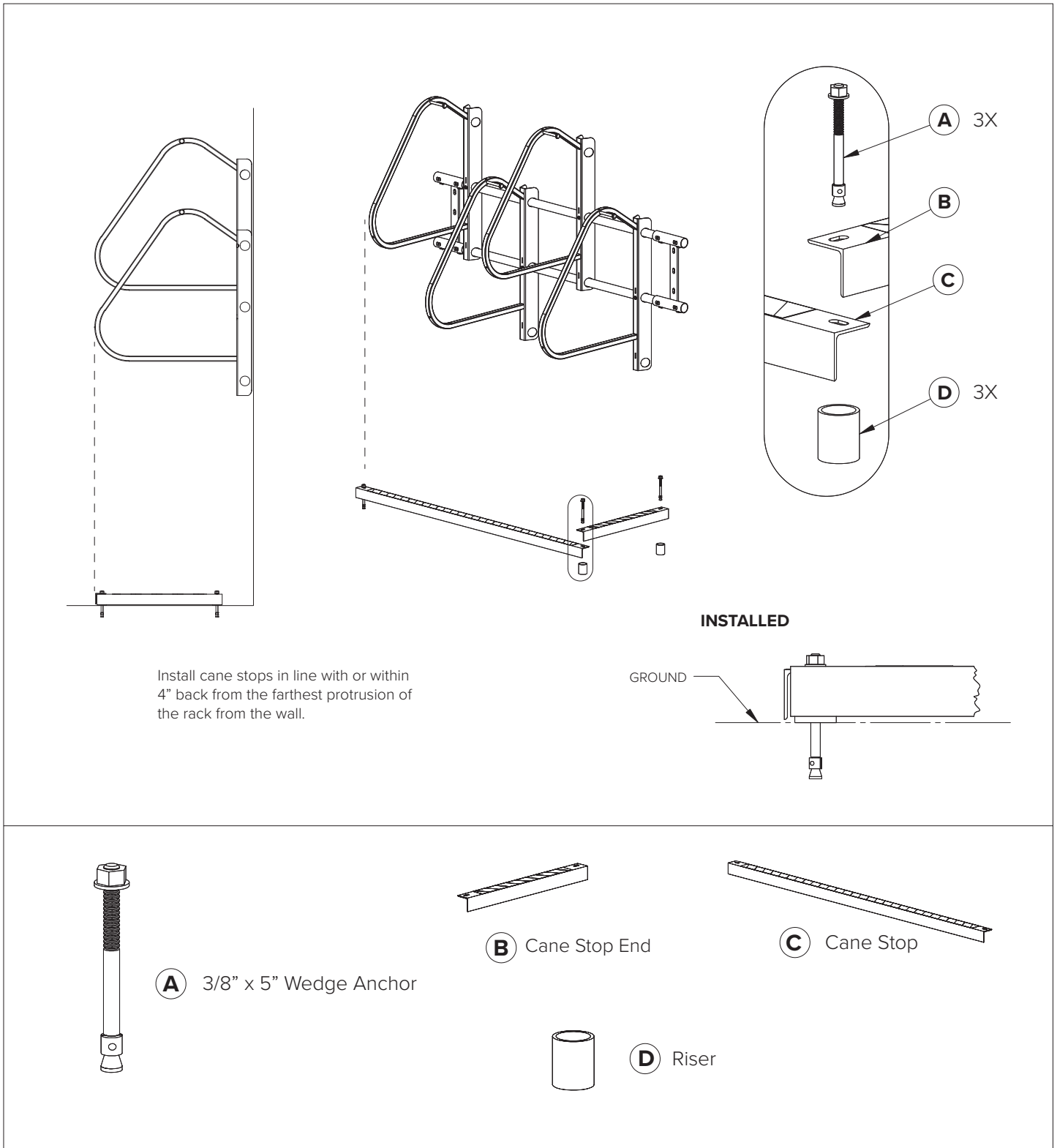
Instructions for floor mounted racks

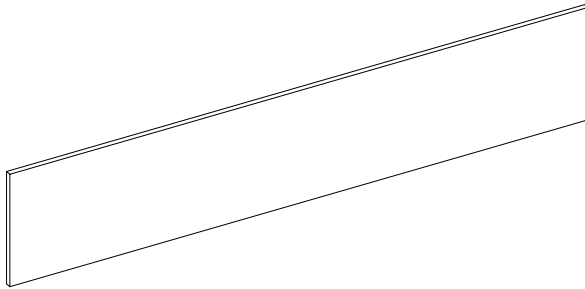
See diagrams below for guidance on installing the optional cane stops onto floor mounted racks. In a run of multiple sections of racks, the cane stops will overlap at the anchoring points.



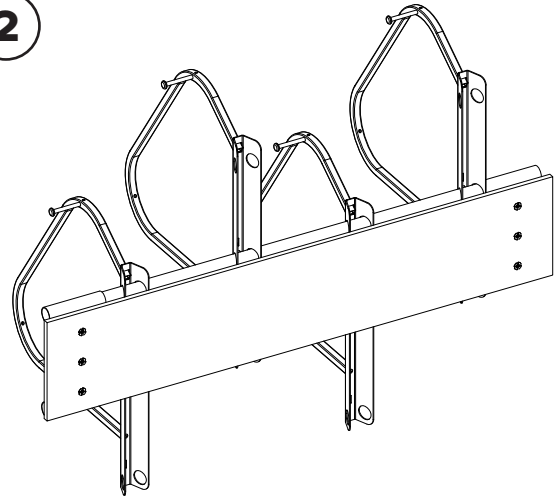
Instructions for wall mounted racks

See diagrams below for guidance on installing the optional cane stops onto floor mounted racks. In a run of multiple sections of racks, the cane stops will overlap at the anchoring points.

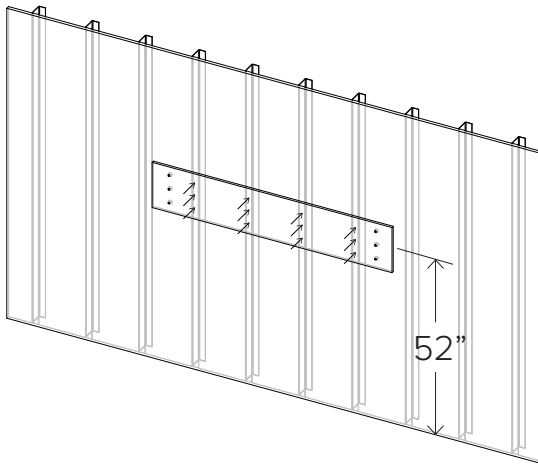


1

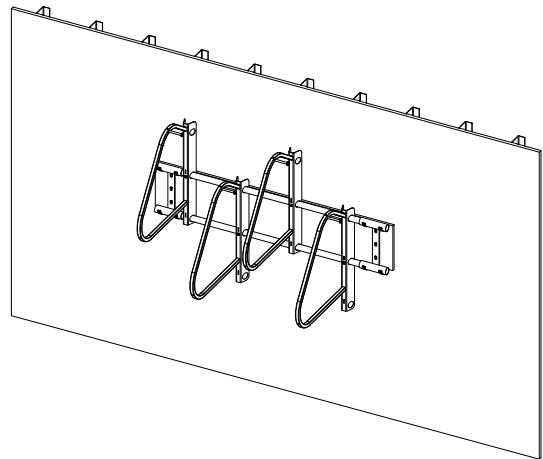
Use 3/4" x 16" board as a substrate to mount the racks. White Melamine board works well.

2

Lay out the wall mounting brackets on the board and mark the (3) holes per bracket on the board. Drill at marks with a 1/2" drill and press 3/8"-16 Tee Nuts in the back of the board.

3

Place the board on the wall and attach with (3) 3/16" x 3" self-drilling screws at each metal stud. The center of the board should be 52" from the ground. 4" wood screws may be used for wood studs.

4

Attach the USS racks to the board with (3) 3/8"-16 x 1" bolts and washers at each wall mounting bracket.



Dero is not responsible for verifying installation surface and location. Installer assumes all liability for secure installation.