



DERO
A PLAYCORE Company




Wall Rack

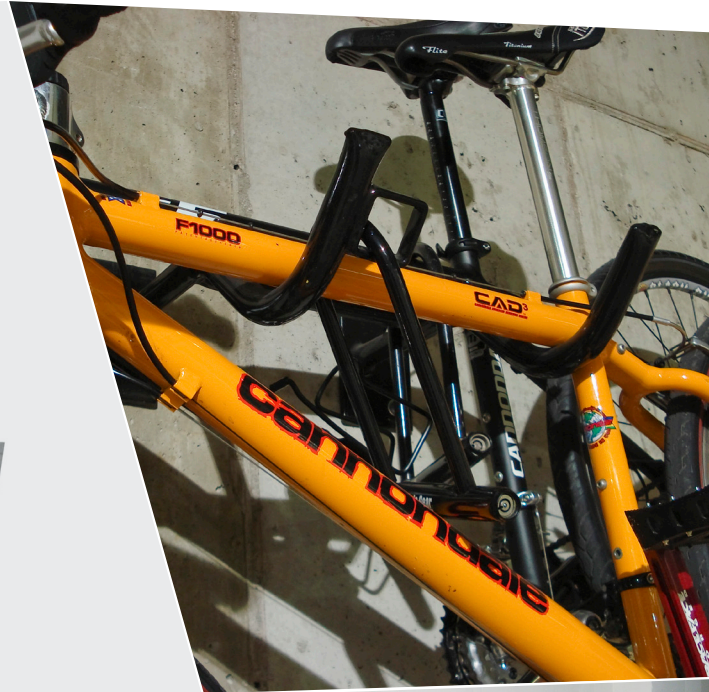
Bike owners like this option as well for garage and home storage. The rubber coating keeps bikes from getting scratched. Two bikes can be hung up and locked securely, as the Wall Rack is fully U-Lock compatible. The Wall Rack keeps bikes off the ground and out of the way, and provides a secure, space-efficient way to store them.

Shares nicely.

The Wall Rack is an ideal solution for indoor car parking stalls



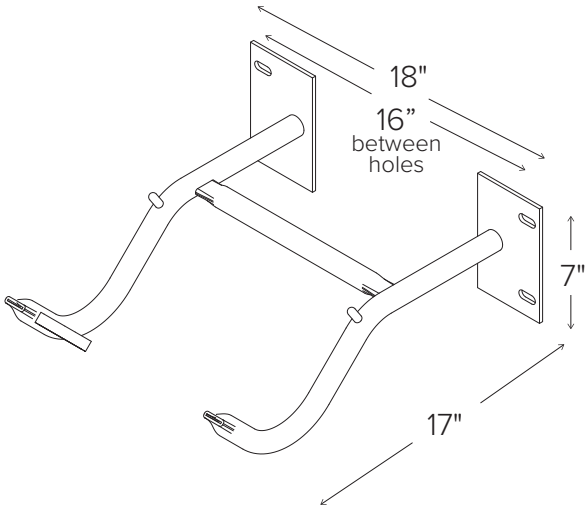
 Tamper-resistant fasteners available upon request



FINISH OPTIONS

PVC Dip



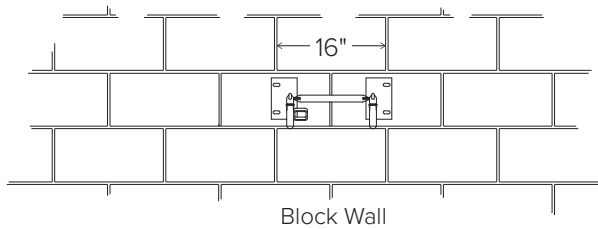
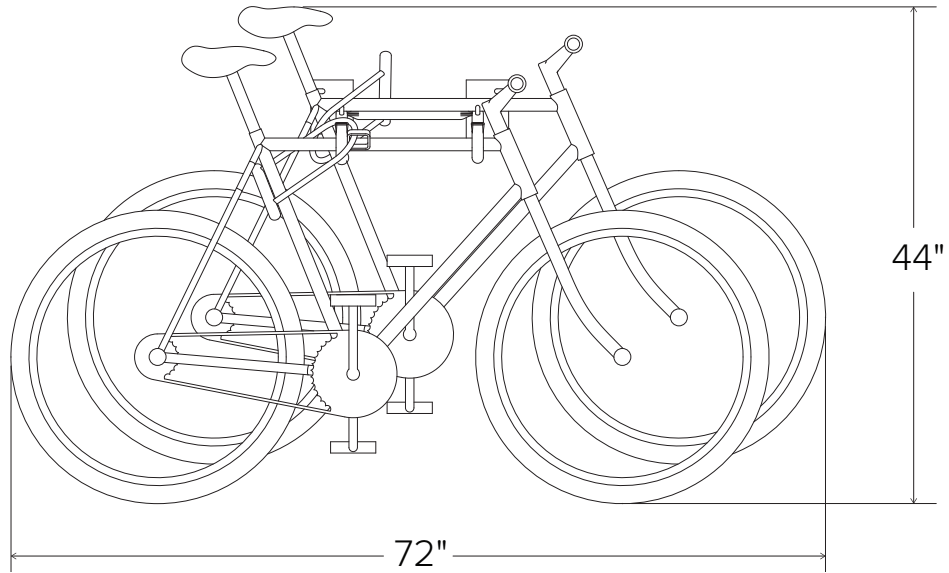


CAPACITY 2 Bikes

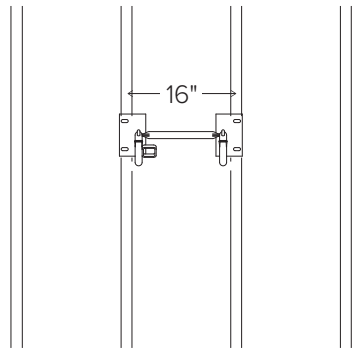
MATERIALS 1" OD 11 gauge tube

FINISHES **Black Rubber Dip (plastisol)**

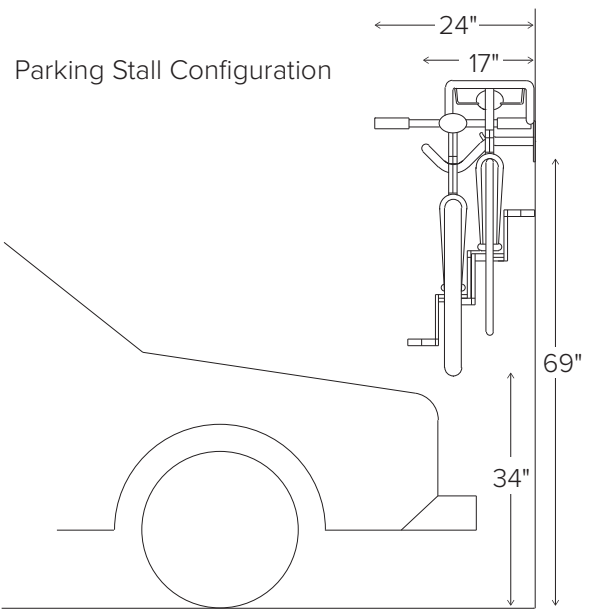
MOUNT OPTIONS **Wall mount Only**
Wall mount has two 3.75" x 6" foot plates set 16" apart with 4 fasteners. Can be set into concrete block, solid concrete, bricks, wood studs and other base materials. Tamper-resistant fasteners available upon request.



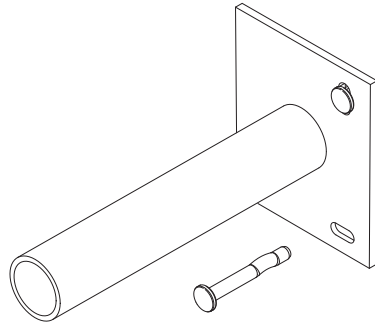
Block Wall



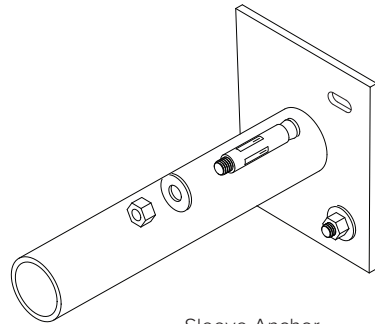
Stud Wall



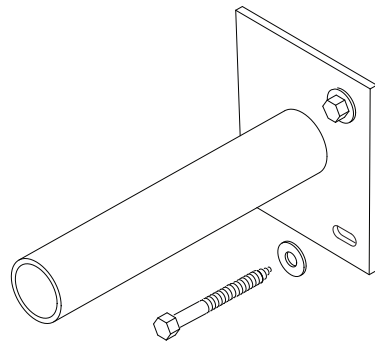
Wall Racks cannot be stacked on top of each other



Concrete Spike



Sleeve Anchor



Lag Screw
(wood install)



Titen Anchor



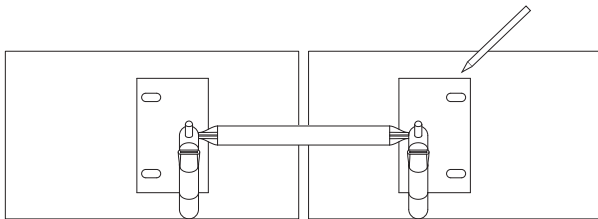
Wedge Anchor


TOOLS NEEDED

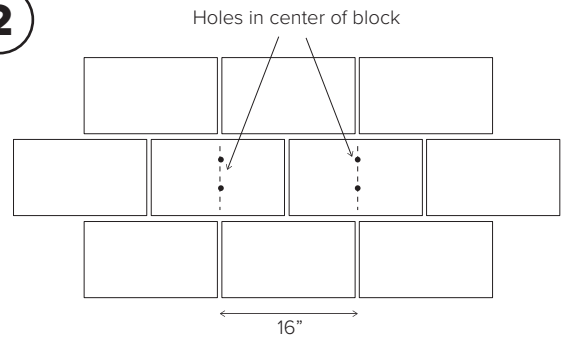
Tape Measure
 Marker or Pencil
 Masonry Drill Bit
 Drill (Hammer drill recommended)
 Hammer
 Wrench or ratchet 9/16"
 Level

RECOMMENDED BASE MATERIAL

Solid concrete is the best base material. Brick, block, and wood stud walls may be acceptable. Metal stud walls are not an acceptable material for installation. Before installing make sure nothing is behind the wall that could be damaged by drilling and that the base material is strong enough to support a fully loaded rack. Tell your Dero representative what kind of base material you are installing the Wall Rack into so the proper anchors can be shipped with the rack.

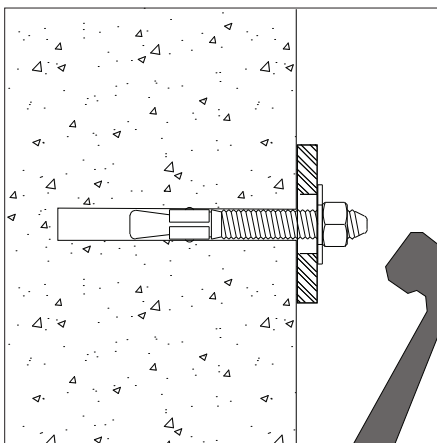
1


Place rack against wall, lining up the holes with the center of the concrete block. Mark holes and lower rack.

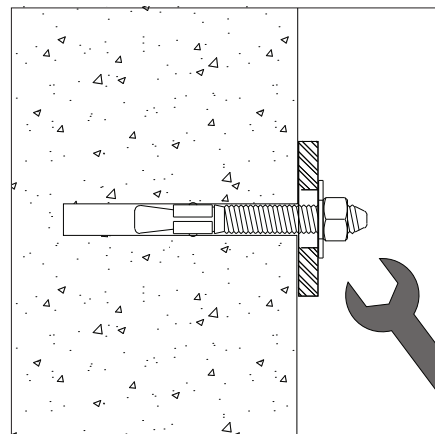
2


Sleeve anchors: Drill holes 2" deep with 1/2" diameter drill bit.
Wedge anchors: Drill holes 3" deep with 3/8" diameter drill bit.
Lag screws: Drill holes 3" deep with 9/32" diameter drill bit.
Titen anchor: Drill holes 3" deep with 3/8" diameter drill bit.
Concrete spikes: Drill holes 3" deep with 3/8" diameter drill bit.

If installing more than one Wall Rack, mark holes for each rack individually as there may be slight differences in the placement of holes from rack to rack.

3


Place rack back into position against wall and tap anchors through holes in the rack and into the wall.

4


Tighten anchors