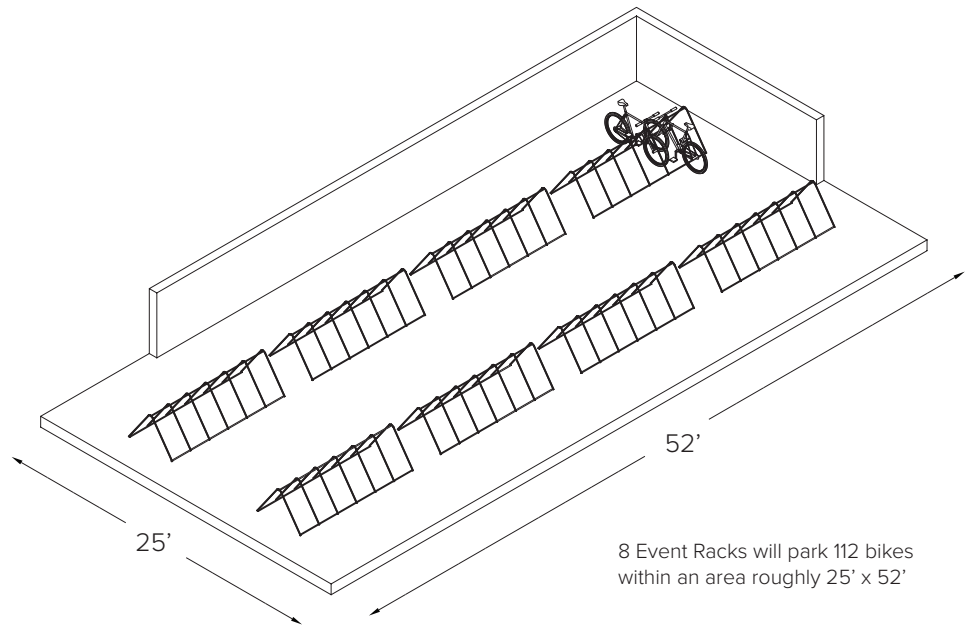


CAPACITY 14 Bikes

MATERIALS .75" steel tube

FINISHES **Galvanized**
An after fabrication hot dipped galvanized finish is our standard option.

MOUNT OPTIONS **Surface only**
The Event Rack is a freestanding unit that can easily be placed by two people.



8 Event Racks will park 112 bikes within an area roughly 25' x 52'