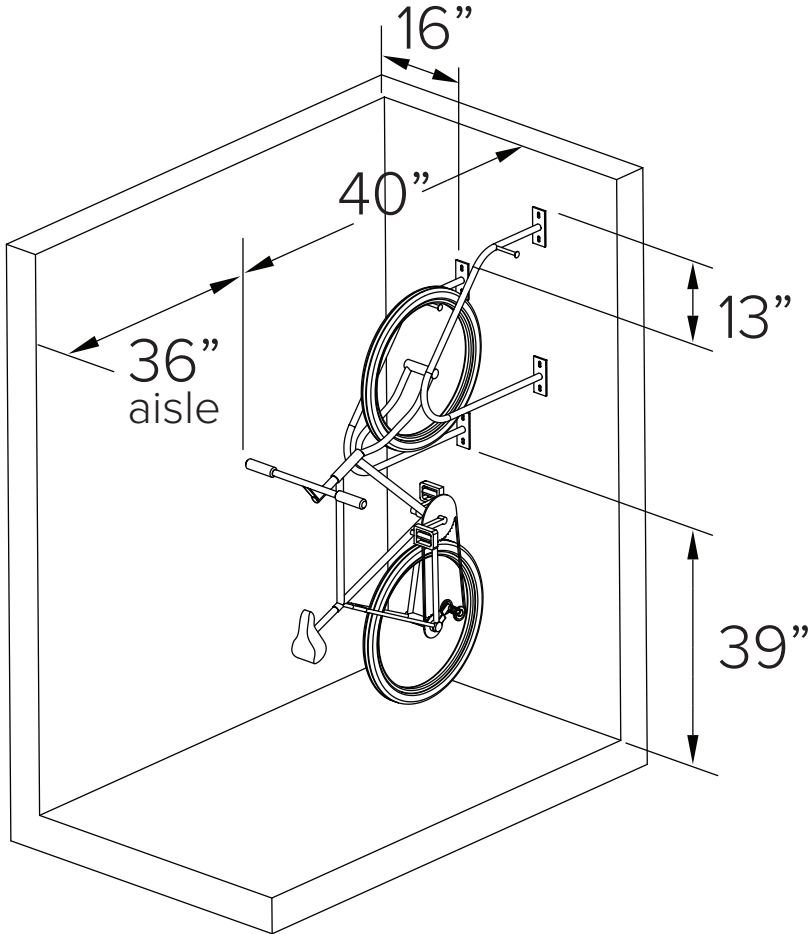


**ULTRA SPACE SAVER SINGLE**

Setbacks

---



**DERO**  
A PLAYCORE Company

www.dero.com | 1-888-337-6729

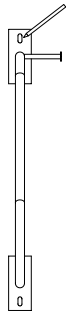
# ULTRA SPACE SAVER SINGLE

## Installation Instructions

### TOOLS NEEDED

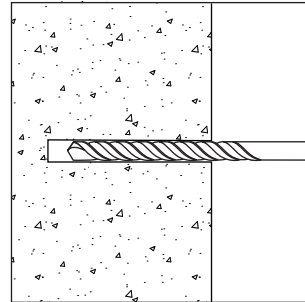
9/16" socket or wrench  
Hammer  
Drill (Hammer drill works best)  
Level  
Marker or Pencil

1



Place rack against wall. Mark holes and lower rack.

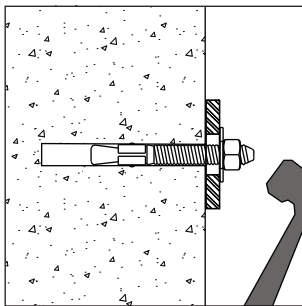
2



Sleeve anchors: Drill holes 2" deep with 1/2" diameter drill bit.  
Wedge anchors: Drill holes 3" deep with 3/8" diameter drill bit.  
Lag screws: Drill holes 3" deep with 9/32" diameter drill bit.  
Titen anchor: Drill holes 3" deep with 3/8" diameter drill bit.  
Concrete spikes: Drill holes 3" deep with 3/8" diameter drill bit.

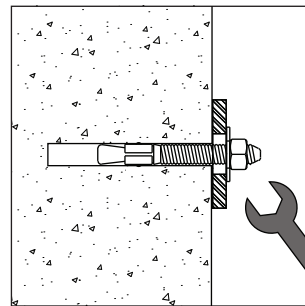
If installing more than one rack, mark holes for each rack individually as there may be slight differences in the placement of holes from rack to rack.

3



Place rack back into position against wall and tap anchors through holes in the rack and into the wall.

4



Tighten anchors



**DERO**  
A PLAYCORE Company

www.dero.com | 1-888-337-6729