



DERO
A PLAYCORE Company



Bike Locker Single (D1)

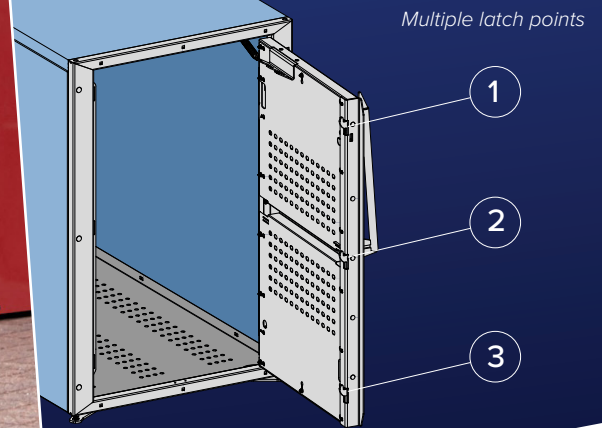
This all-metal bike locker is a perfect option for long-term bike parking applications, where greater security and protection from the elements is needed. The Bike Locker Single D1 features sturdy, steel construction and a tamper-resistant and ADA compliant handle.

Bike Locker Single (D1)



FEATURES

- ADA compliant handle
- Option to add e-bike charging outlets
- Door latches in multiple places along the frame for greater security



FINISH OPTIONS

Powder Coat



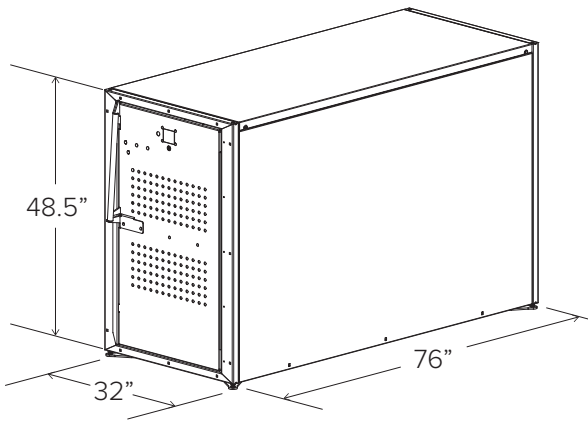
LOCKING OPTIONS

Key



Padlock





CAPACITY 1 Bike

MATERIALS **Frame:** 1.50" x 3.00" x 14g tube
Floor: 18g plate
Sides: 18g plate
Doors: 16g plate
Top: 18g plate

FINISHES **Locker Frame:** Galvanized
Panels and Doors: Powder coat over G90 electro plated steel

LOAD DATA 40 psf snow, 90 mph wind exposure B, high seismic

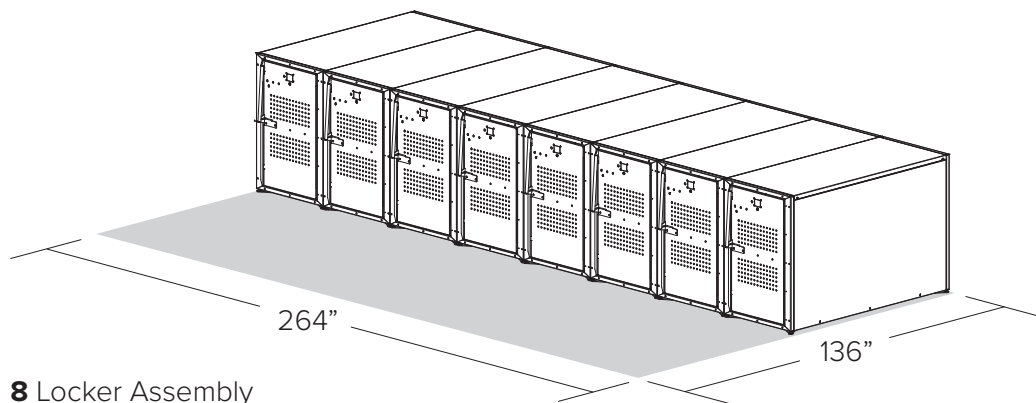
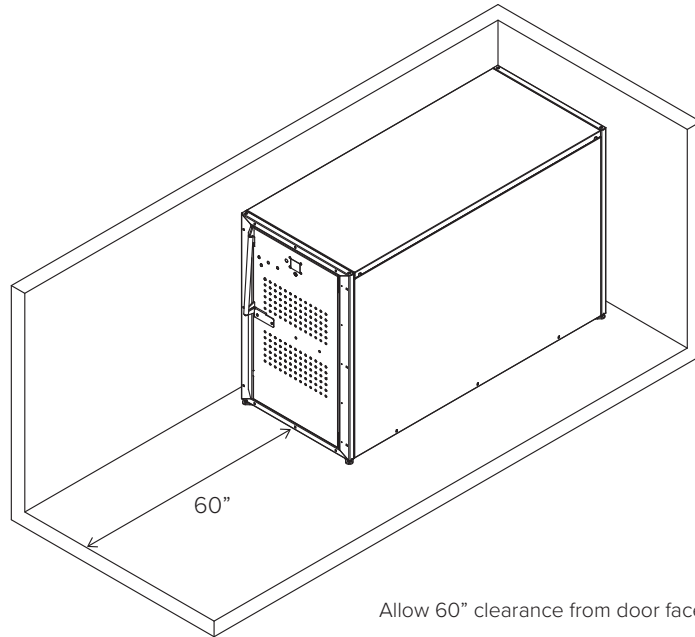
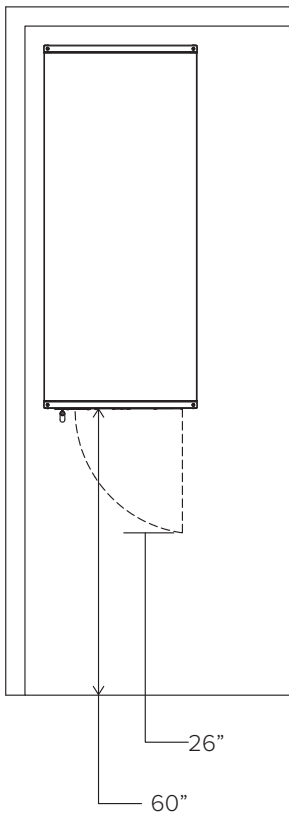
SETBACKS Allow a 60" clearance from door face.

- STANDARD**
- Leveling feet
 - Floor panel
 - Ventilating window on doors
 - Graffiti resistant
 - UV resistant
 - Gear hook
 - Door closer
-

- LOCKING OPTION**
- Key
 - Padlock
-

- E-BIKE CHARGING**
- No charging
 - Add Charging Port with 4-Hour Timer
-

** Charging lockers need 110v electrical supply. Customer is responsible for providing power to lockers. Four lockers per 20A circuit is recommended.*



8 Locker Assembly

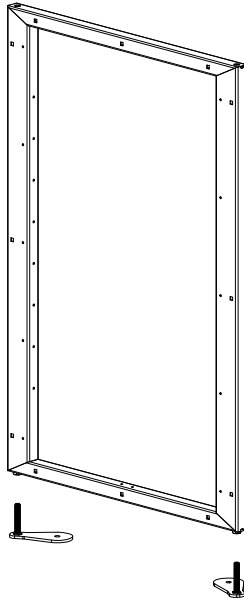
(Example configuration. Any number of lockers may be installed in a set. Charging lockers should have no more than 4 units per 20 amp circuit.)

**TOOLS NEEDED**

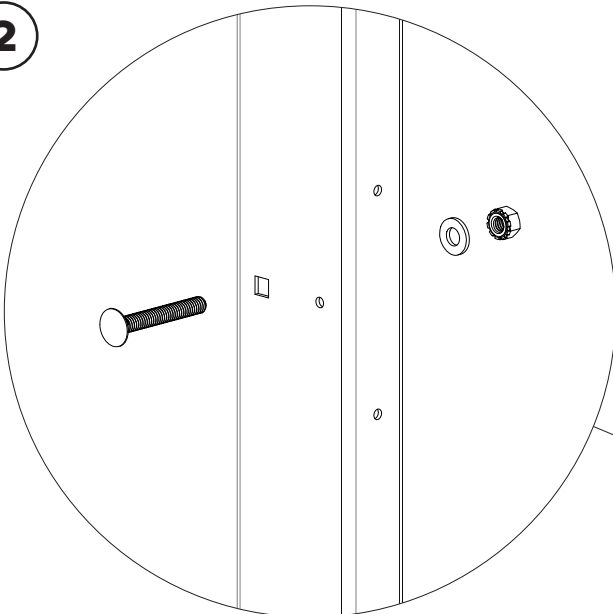
Hammer drill with 3/8" masonry bit
Hammer
Bubble level
Tape measure
3/8", 7/16", 1/2", 9/16" wrenches
Socket wrench
3/8", 7/16", 1/2", 9/16" sockets
Power drill
#3 Phillips screwdriver bit
Needle-nose pliers
Socket Extension
Small side-cutter pliers

RECOMMENDED BASE MATERIAL

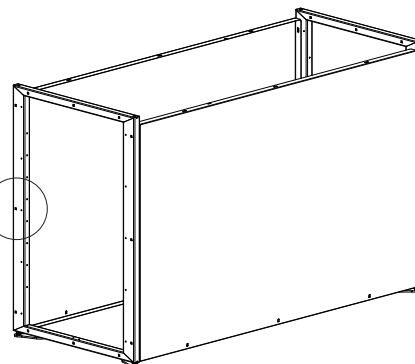
Solid concrete is the best base material for installation. To ensure the proper anchors are shipped with your locker, ask your Dero representative which anchor is appropriate for your application. Be sure nothing is underneath the base material that could be damaged by drilling.

1

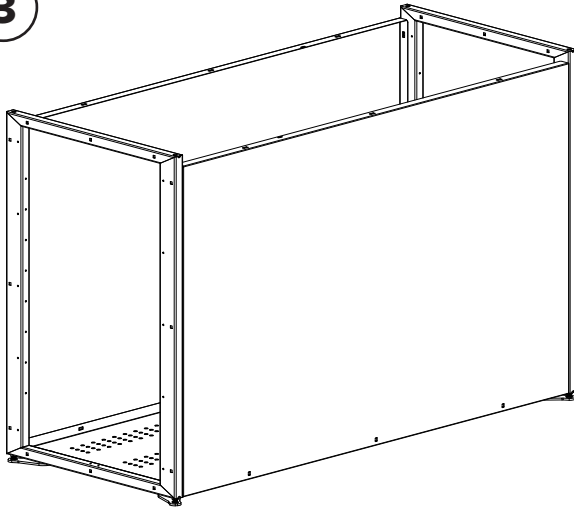
Thread (2) leveling feet into each door frame.

2

Attach (2) side panels to the (2) door frames with (12) 5/16" x 2.25" carriage bolts, washers, and nuts. Omit the (4) bottom bolts for now. Leave nuts finger-tight

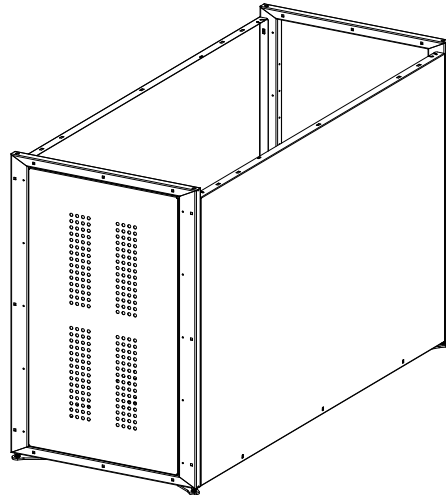


3



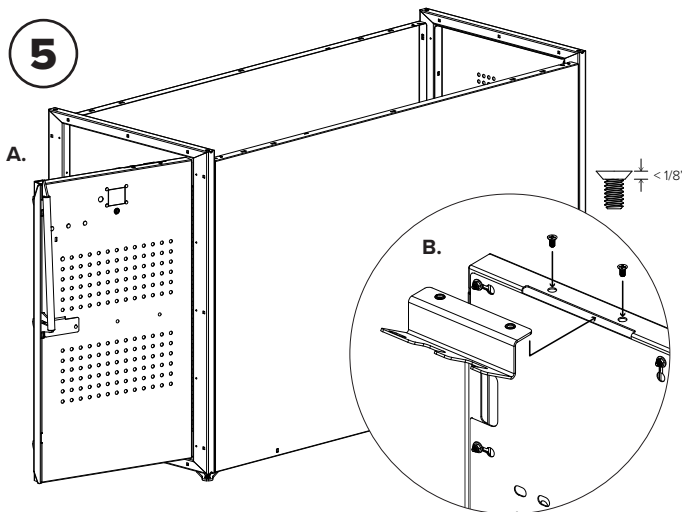
Place the floor panel in the locker and attach to the side panels with (6) 5/16" x .75" carriage bolts, washers, and nuts. Attach to the door frames with (6) 5/16" x 2.25" carriage bolts, washers, and nuts. Add the remaining (4) 5/16" x 2.25" carriage bolts, washers, and nuts that attach the side panels to the door frames. Leave all nuts finger-tight.

4



Attach the back panel to the rear door frame with (10) #12 x 3/4" self-drilling screws. Pilot holes are present but may be partially filled with zinc. Screwing is done from inside the locker. Set the power drill clutch to a high setting but not locked. The final tightening should be done by hand with a #3 Phillips driver. **Do not use an impact drill** or the threads will be stripped.

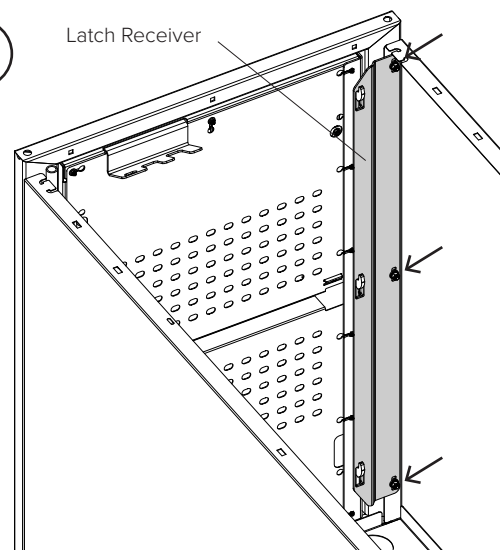
5



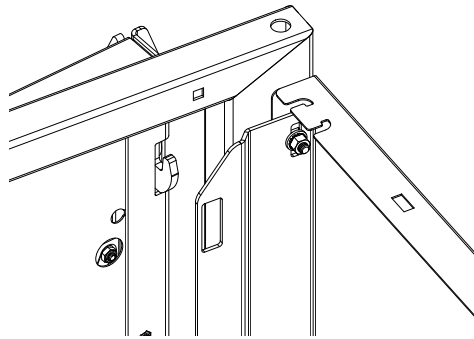
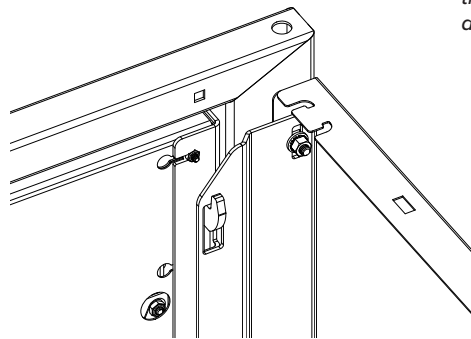
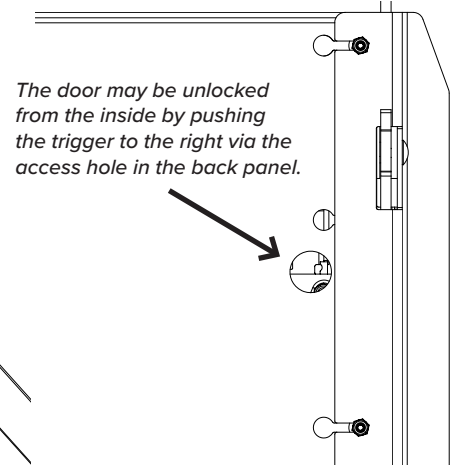
A. Attach the door assembly with (8) #12 x 3/4" self-drilling screws. Pilot holes are present but may be partially filled with zinc. Set the power drill clutch to a high setting but not locked. The final tightening should be done by hand with a #3 Phillips driver. **Do not use an impact drill** or the threads will be stripped.

B. Attach the door spring/gear hook to the door with (2) 1/4" x 1/2" undercut screws.

6



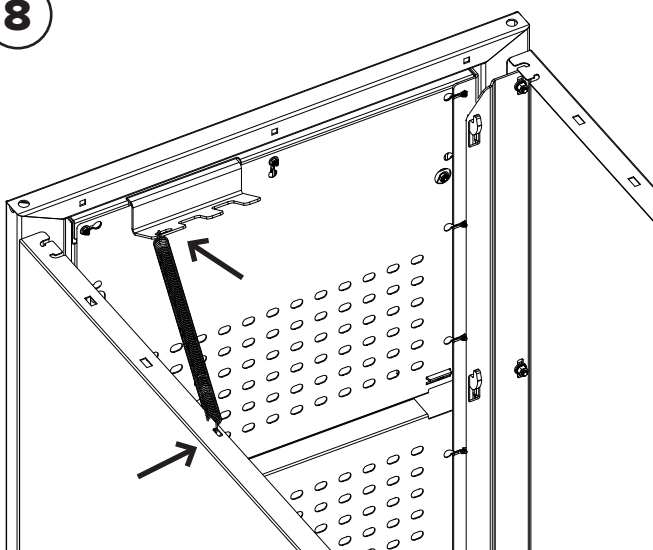
Attach the latch receiver by removing the (3) nuts and washers on the inside-left of the door frame (these are the nuts and washers that hold the side panel on). Place the latch receiver on the (3) bolts and fasten with the (3) nuts and washers finger-tight.

7

A

B


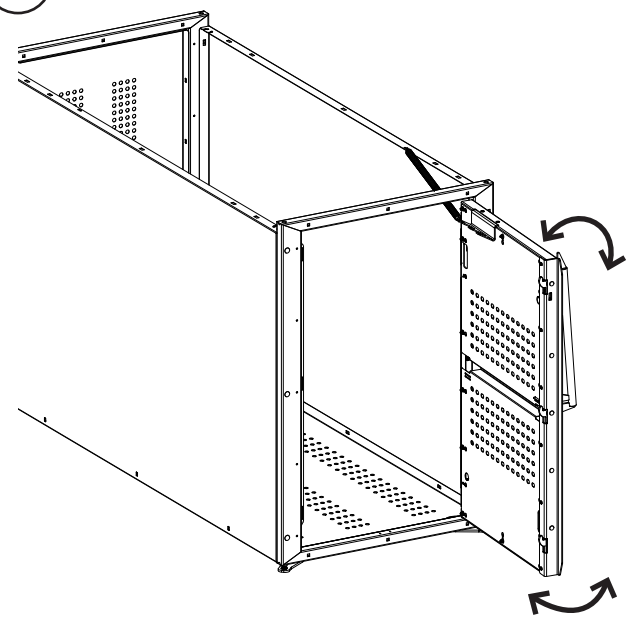
The door may be unlocked from the inside by pushing the trigger to the right via the access hole in the back panel.

C

Unlock the door so the latch is lowered and shut the door. Confirm the latch hooks can pass through the slots in the latch receiver. Lift the door handle and confirm the latch locks without interference from the receiver. Tighten the (3) nuts attaching the latch receiver. Confirm the unlock and lock procedure one final time.

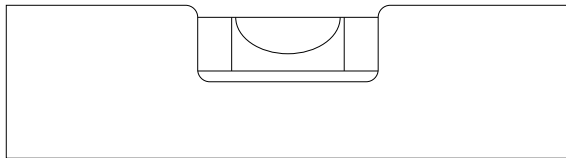
8


Attach the door closing spring to the door spring/gear hook bracket and side panel. A needle-nose pliers is helpful.

9


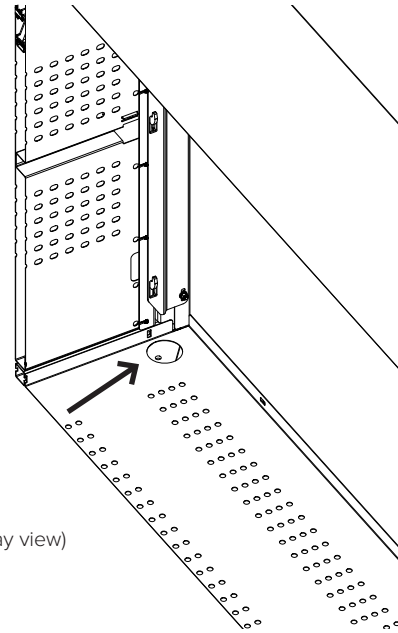
If any twist needs to be taken out of the door, loosen the #10 locknuts, set the door, and re-tighten.

10



Level the locker with the leveling feet, check squareness, and tighten all the 5/16" nuts attaching the side panels, door frames, and floor.

11

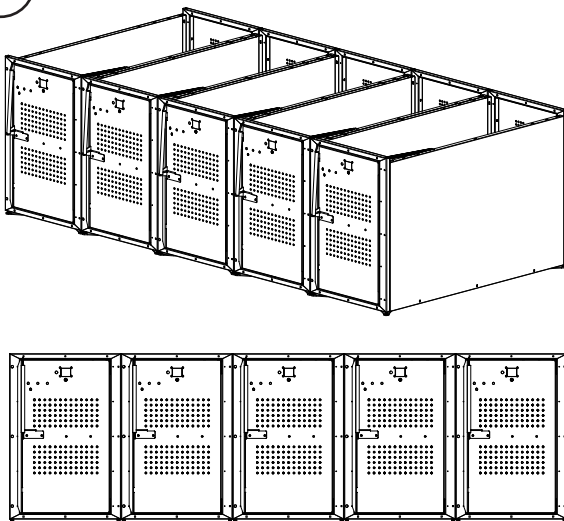


(Cutaway view)

Secure the locker to the ground with (4) anchors. The leveling feet anchor holes should line up with the large holes in the locker floor.

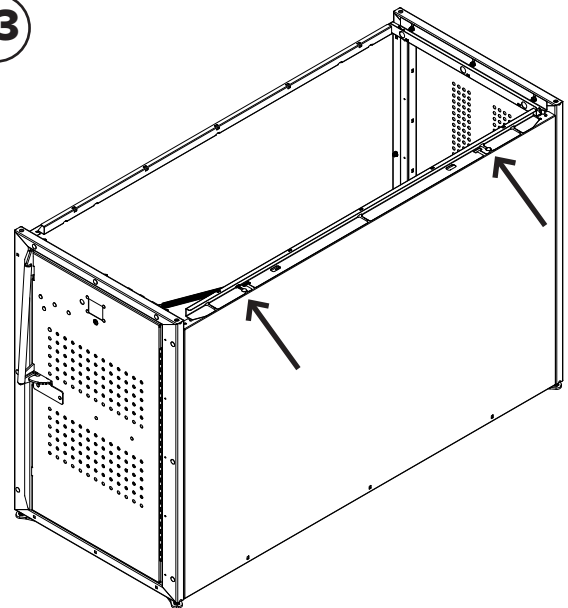
Use wedge anchors for installation on concrete, or Titen anchors for asphalt surfaces. Contact Dero if you do not have the appropriate anchors for your installation surface.

12



If a row of lockers is to be installed, build the others in the same way and position them directly next to each other with all lockers in a row at the same height. None of the lockers have roofs at this point.

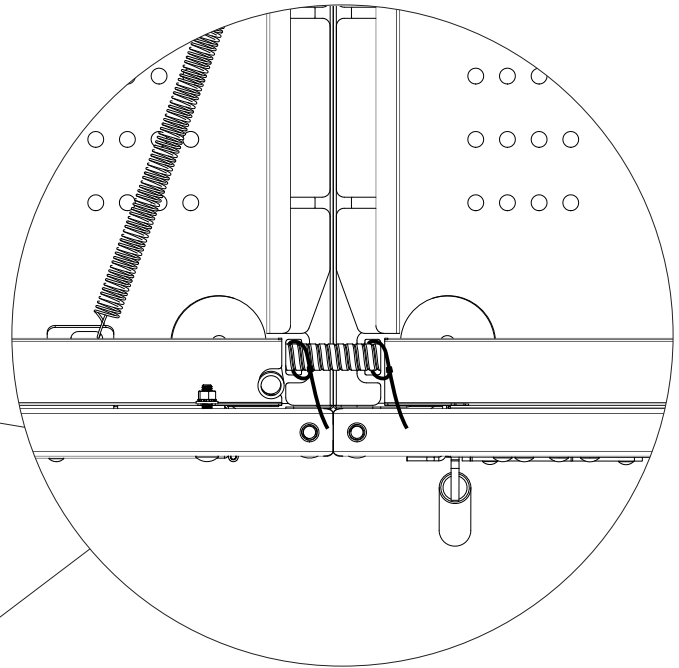
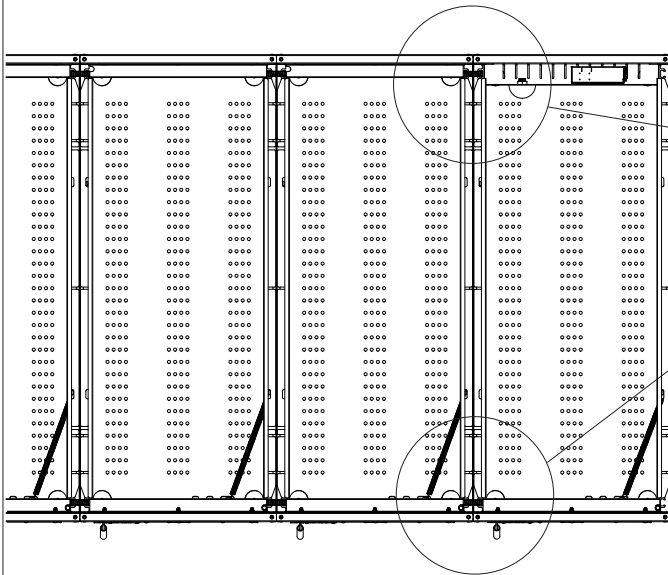
13



If the lockers include e-bike charging, attach the rear cable guard and secure with (3) 5/16" x 2.25" carriage bolts, washers, and lock nuts. Attach (2) side cable guards and secure each with (2) 5/16" x 3/4" carriage bolts, washers, and lock nuts. Note the specific holes.

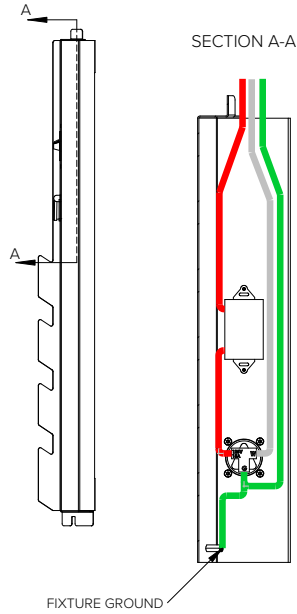
14

Place the short lengths of flexible conduit at the front and rear of lockers where they are adjacent. Use zip-ties with the cutout features in the side panel to loosely hold them in place.



15

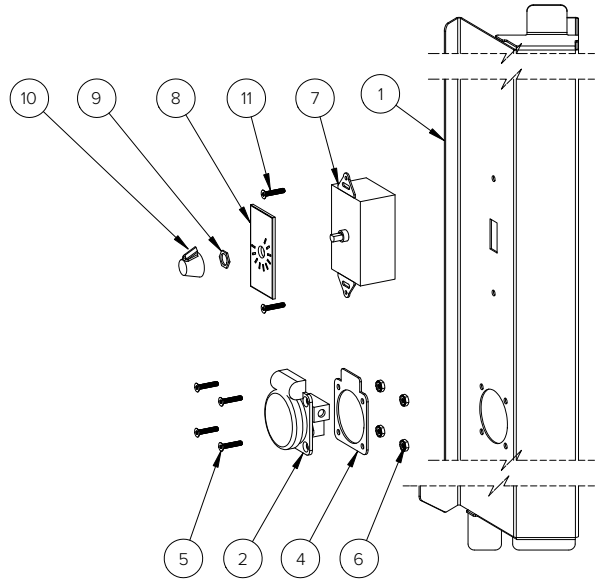
If the lockers include e-bike charging, a licensed electrician will install the receptacle and timer.



ALL ELECTRICAL WIRING TO BE PERFORMED BY A LICENSED ELECTRICIAN IN ACCORDANCE WITH NEC OR THE LOCAL CODE

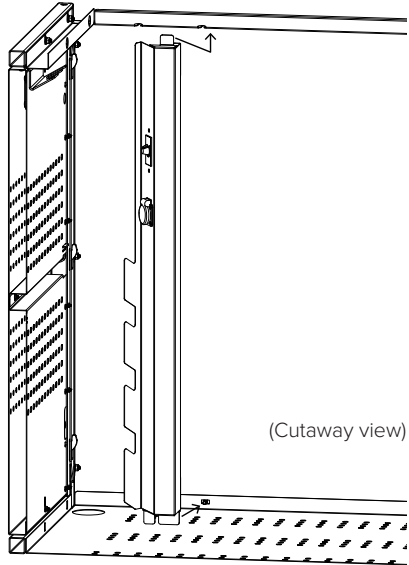
ALL WIRES AND CONDUIT SUPPLIED BY INSTALLER

1. ROUTE ELECTRICAL WIRES THROUGH THE LOCKER FIXTURE.
2. FASTEN THE ELECTRICAL TIMER TO THE FIXTURE WITH (2) SCREWS.
3. ROUTE THE POSITIVE WIRE THROUGH THE TIMER AND THEN TO THE RECEPTACLE.
4. CONNECT ELECTRICAL WIRES TO THE RECEPTACLE.
5. FASTEN THE RECEPTACLE AND GASKET TO THE FIXTURE WITH (4) SCREWS AND NUTS.
6. ATTACH THE GROUND WIRE WITH #10 RING LUG TO FIXTURE GROUND WITH A #10-24 SCREW + TOOTH WASHER.
7. CONNECT POWER AND NEUTRAL WIRES TO GCFI CIRCUIT BREAKER 125V/15A MAX.

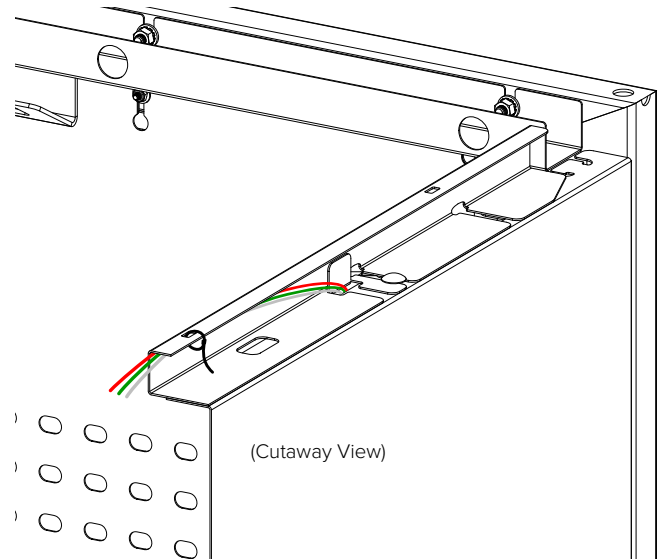
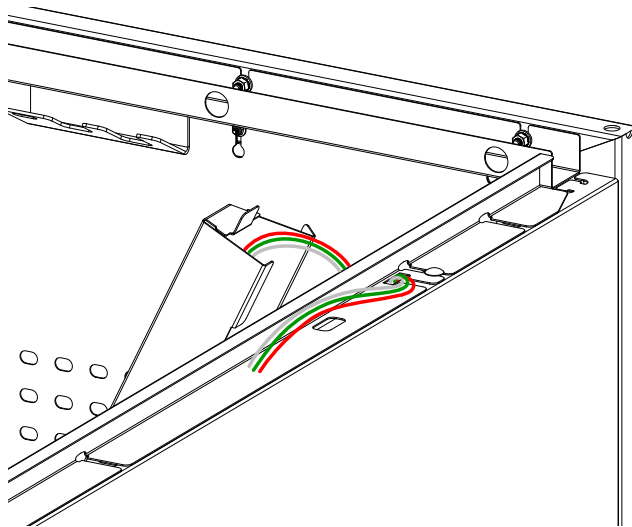


ITEM NO.	PART NUMBER	QTY.
1	LOCKER CHARGING BOX 600112-A	1
2	INTERNATIONAL CONFIGURATIONS 15 Amp, 125 Volt, NEMA 5-15R, Single Receptacle, 70020	1
4	INTERNATIONAL CONFIGURATIONS 15 Amp, 125 Volt, NEMA 5-15R, Single Receptacle, 70020, Gasket	1
5	BOLT 6-32 X .75, FLAT, PIN-IN-TORX	4
6	NUT 6-32, TOOTHED WASHER	4
7	ELECTRICAL TIMER	1
8	ELECTRICAL TIMER FACE PLATE	1
9	ELECTRICAL TIMER NUT	1
10	ELECTRICAL TIMER KNOB	1
11	BOLT 6-32 X .75, FLAT, PIN-IN-TORX	2

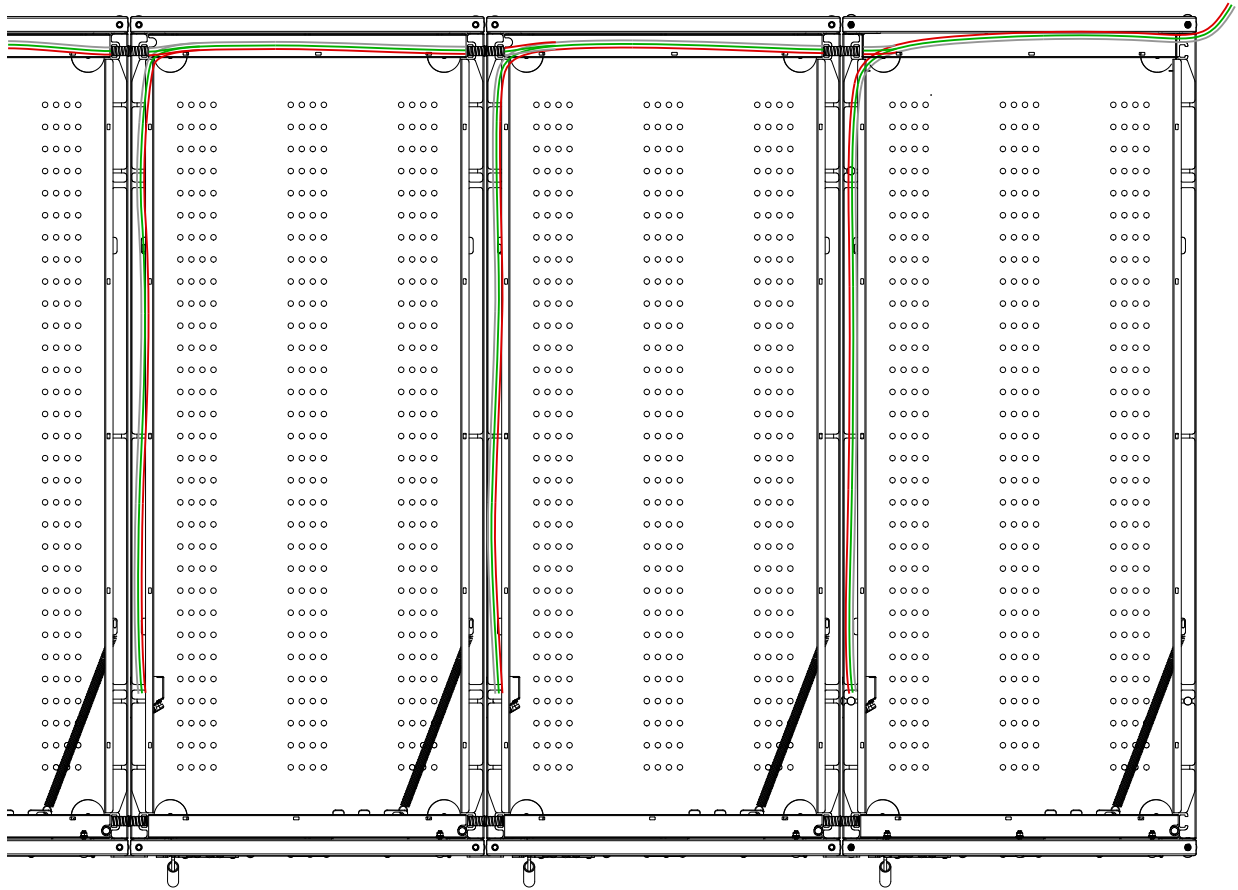
16



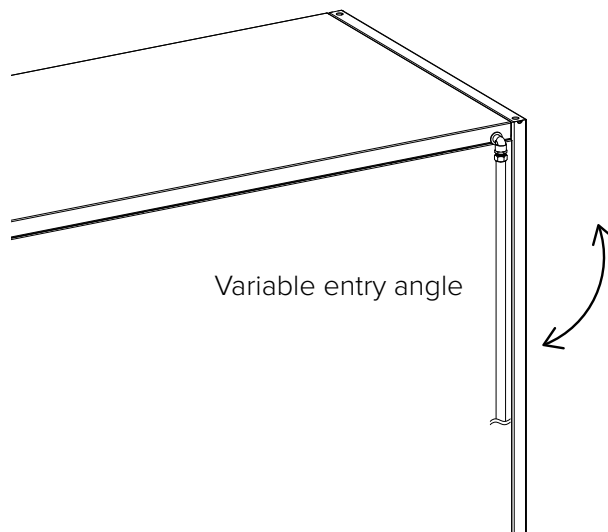
Remove the 5/16" nut and washer at the bottom of the left side panel, nearest the door. Feed the power wires through the slot in the cable guard and fit the tab on the charging fixture into the same slot. Lower the bottom of the charging fixture so the bottom slot meets the 5/16" carriage bolt at the panel bottom. Note the power wires aren't pinch and tighten the 5/16" nut and washer. Zip-ties should be used along the cable guard with the provided slots to hold the wires out of the way. Trim zip-tie tails.



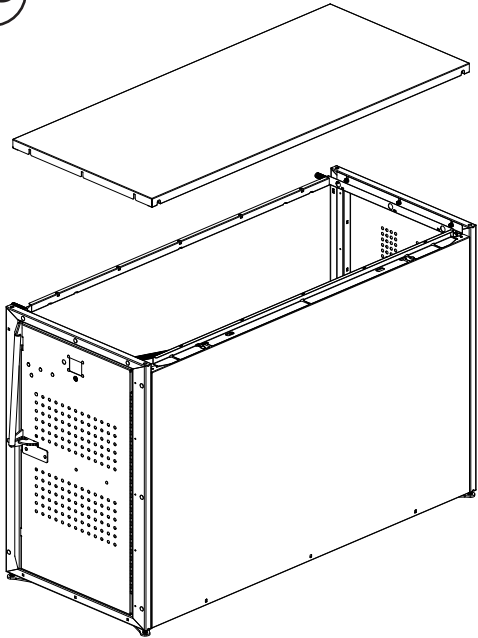
17



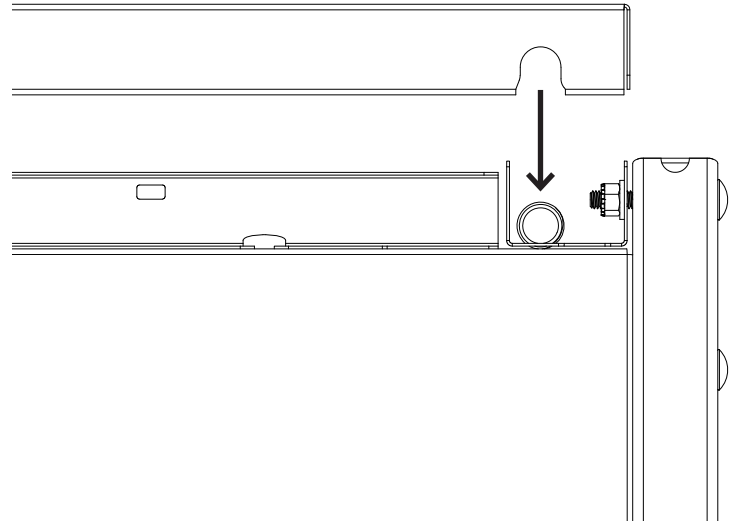
Repeat for remaining e-bike charging outlets and run power wires to the rear of the lockers, through the short flexible conduit, and to the power entry point.



18

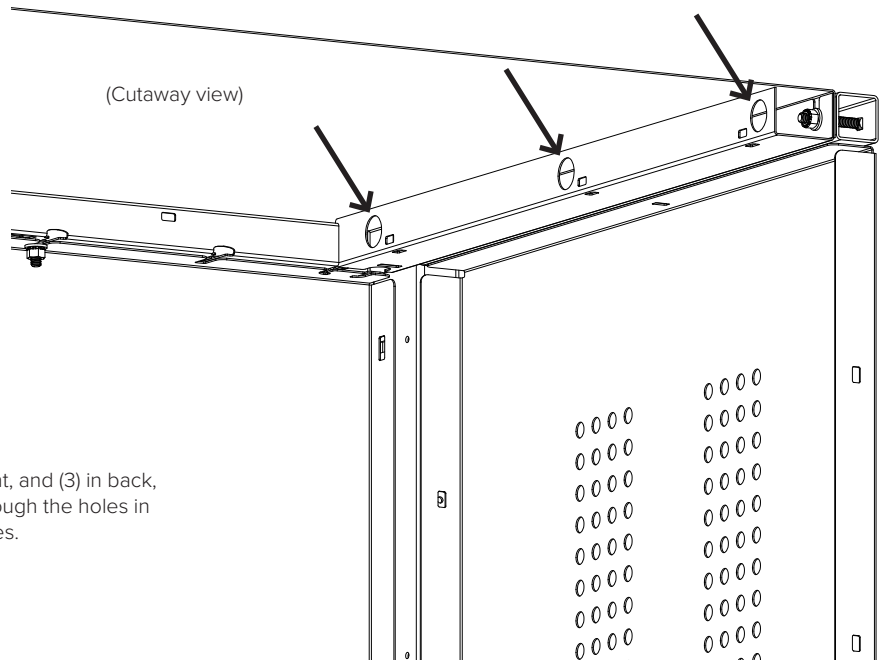


Loosen the (3) 5/16" nuts holding the rear cable guard on and lower the roof panel into place. The rear flange of the roof panel will fit between the frame and rear cable guard. Flexible conduit between the lockers will fit into the cutouts in the roof panel and hold the flexible conduit captive.



19

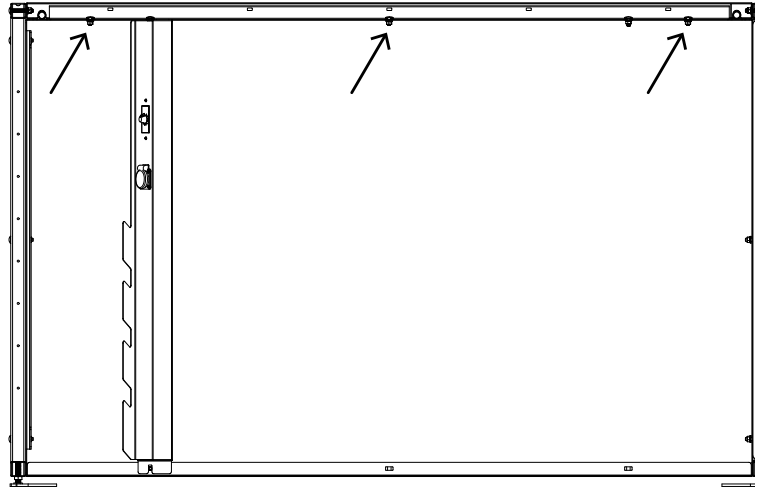
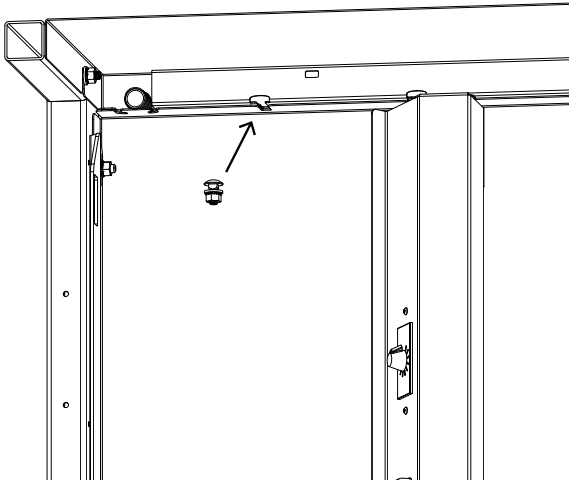
(Cutaway view)



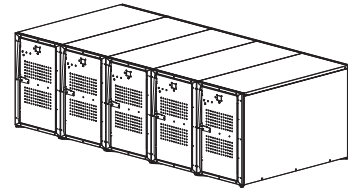
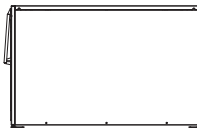
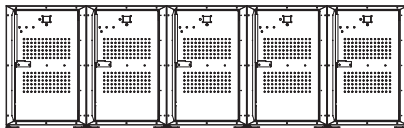
From inside the locker, the (3) 5/16" nuts in front, and (3) in back, can be tightened with a 1/2" extension socket through the holes in the cable guard. Note to be careful of the wires.

20

From inside the locker, place (3) 5/16" x 3/4" carriage bolts, washers, and nuts in the slots on each side of the roof panel. Tighten all nuts. Note to be careful of the cables.

**21**

Confirm all locker assembly hardware is tight and that door locks operate properly.

5-LOCKER ASSEMBLY**10-LOCKER ASSEMBLY**