



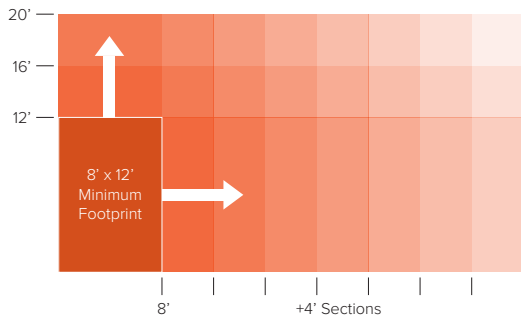
Cycle Station™ 2

The Dero Cycle Station 2 provides scalable, high-capacity, secure bike parking for bicycle commuters. With a high roof and open platform, the Dero Cycle Station 2 allows bike corrals, vertical, or two-tiered bike racks configured to meet your specific needs.

Cycle Station™ 2



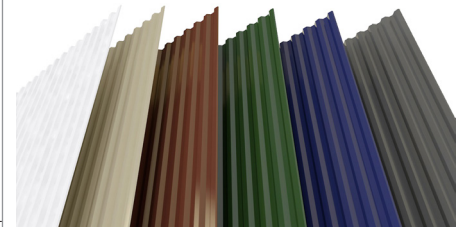
SIZE OPTIONS



The Cycle Station 2 can be sized to meet your capacity needs. Starting with a width of 12', 16' or 20', you can add on as many 4' lengths as needed.

ROOFING

Roof panels are available in a variety of colors.



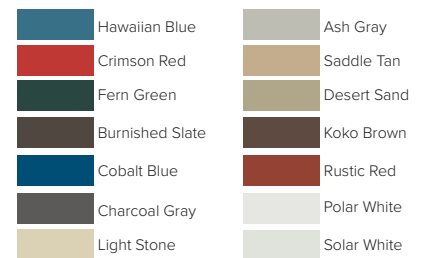
FINISH OPTIONS

Galvanized



Roof trusses are galvanized only. Uprights and mesh panels may have a powder coat color or galvanized finish.

Powder Coat



DOORS

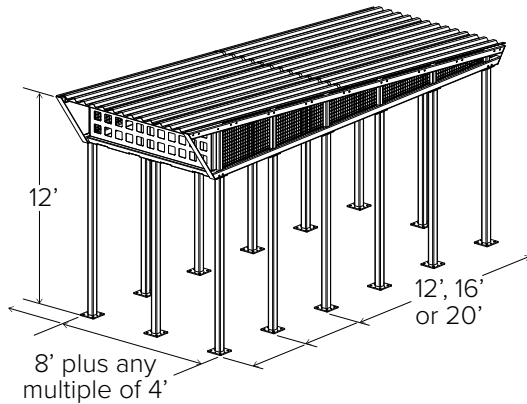


Door(s) may be placed between any uprights for greatest flexibility in layout. A standard door includes an electronic strike, exterior keyed handle, interior pushbar, and door closer. Access system not included. A variety of door handles, locks, and closers are available per spec.

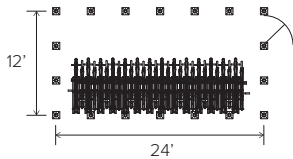
LIGHTING



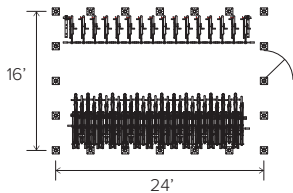
Solar powered lights for the exterior of the shelter are available as an add-on item. Contact us for more details.



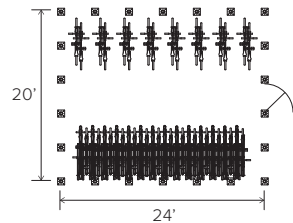
Sample capacities for 3 Unit Configurations



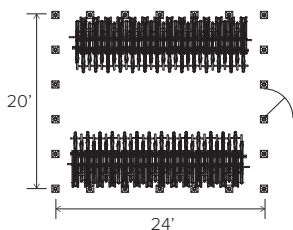
12'x24' Shelter
Dero Deckers
28 Bikes



16'x24' Shelter
Ultra Space Saver Squared
and Dero Deckers
44 Bikes

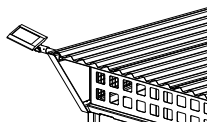


20'x24' Shelter
Hoop Racks and
Dero Deckers
44 Bikes



20'x24' Shelter
Dero Deckers
56 Bikes

Dero shelters can be used in a modular fashion (shared uprights) however, when used in this manner, please consult a Dero Bike Rack sales associate for layout, as the rack spacing and bike capacity can change!



CAPACITY

See diagrams below and to the left for examples

MATERIALS

Uprights: 4" x 3/16" square tube.
Base Plates: 1/2" plate
Roof Truss: 4" x 3" x 1/4" square tube
Roof Purlins: 3" x 1/8" square tube
Roof Panels: 24g steel ribbed panel
Panels: 2" x 1/4" steel wire mesh with 3" steel framing

FINISHES

Galvanized
 An after fabrication hot dipped galvanized finish is our standard option. Trusses and purlins are only available galvanized.

Powder Coat
 Doors are only available with a powder coat finish. Uprights and side panel are available with a powder coat finish option. Trusses and purlins come only in galvanized. Available roof colors differ from standard Dero colors.

Our powder coat finish assures a high level of adhesion and durability by following these steps:

1. Sandblast
2. Epoxy primer electrostatically applied
3. Final thick TGIC polyester powder coat

MOUNT OPTIONS

Surface Only

It is the responsibility of the installer to ensure that all base materials into which the shelter will be installed can support the rack and will not be damaged by any required installation procedures. See structural drawings for details.

LOCKING OPTIONS

- Key**
- Padlock**
- Electronic latch able to accept a customer supplied access system (card, FOB, etc.). Customer is responsible for installing and powering their reader onsite.**

SETBACKS

Consult local building codes for acceptable setbacks and placement.

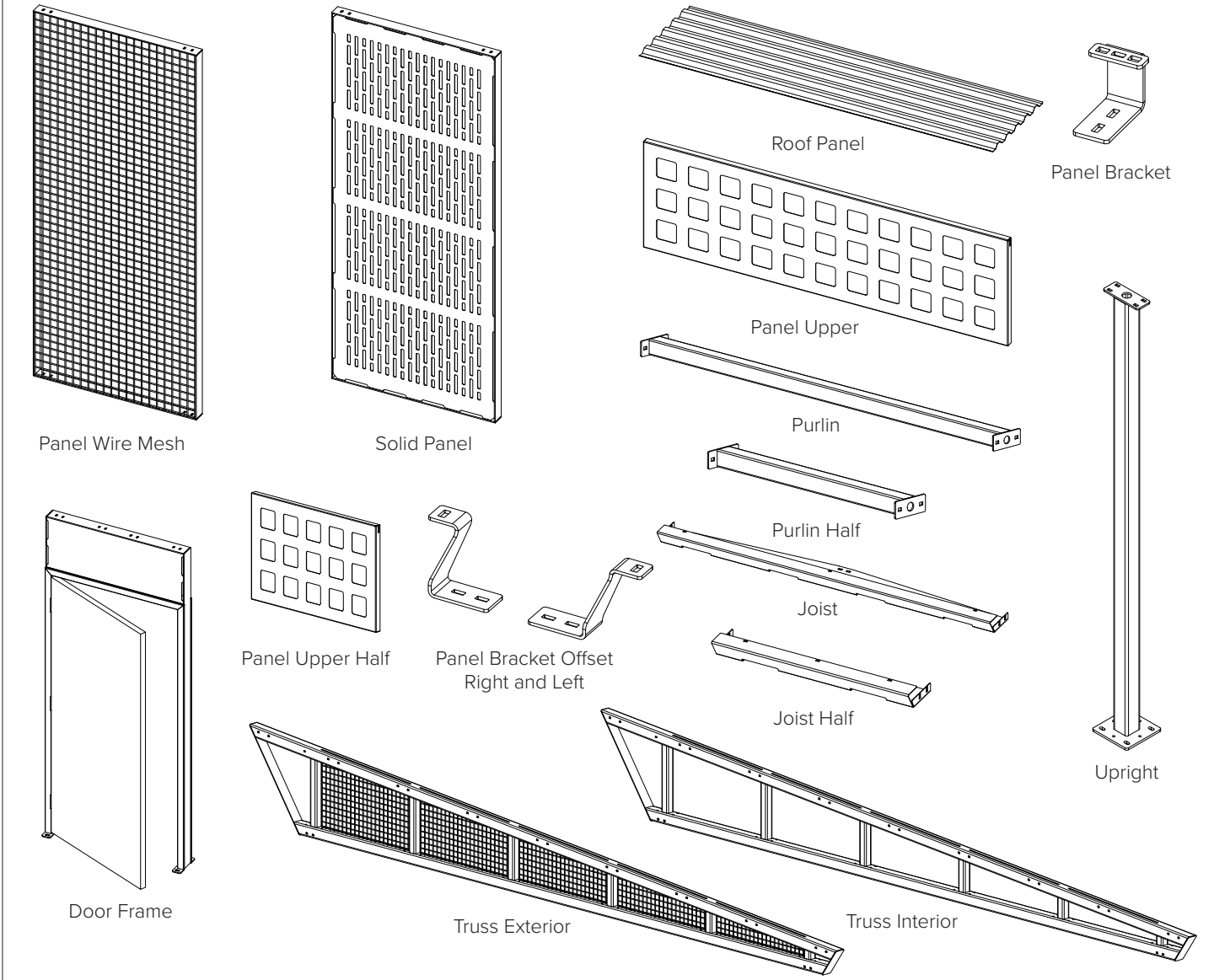
LOAD DATA

Dead Load: 2.5psf, self weight of structure
Live Load: 40 psf
Wind Load: 96 mph, exposure B, risk category II
Seismic Risk: Category II
Footing: see separate page
Anchors: 5/8"Ø x 4-1/2" embed Simpson Strong-Bolt 2 wedge anchors

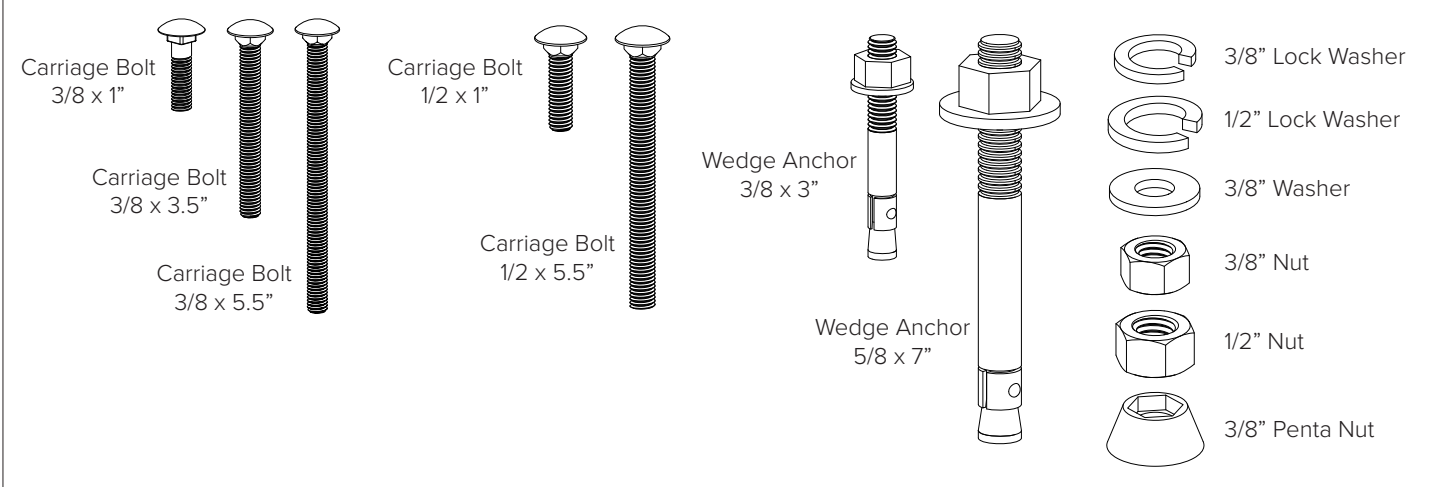
LIGHTING

Solar powered lights for the shelter exterior are available for an additional charge

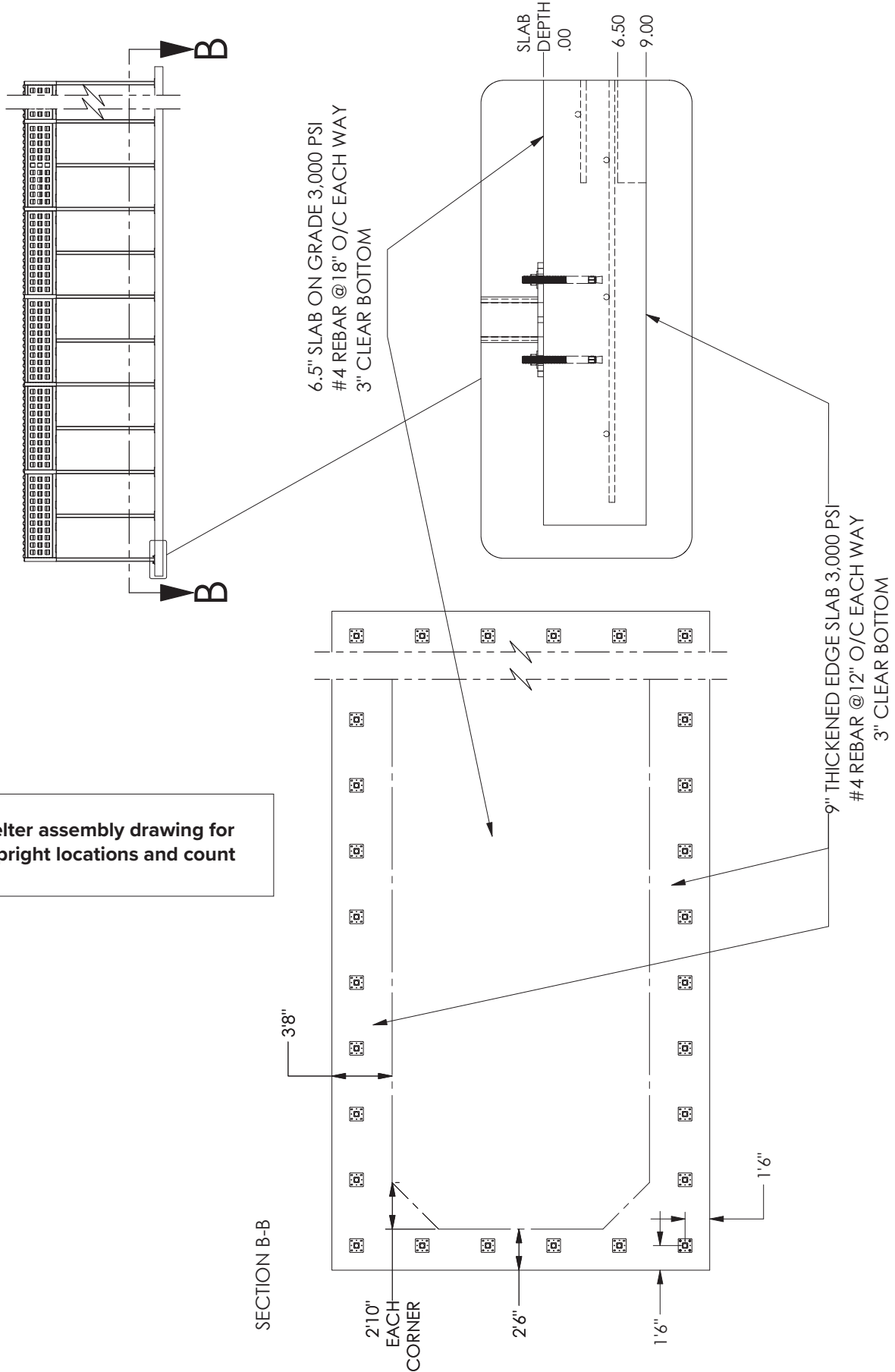
Components



Hardware



See shelter assembly drawing for exact upright locations and count




TOOLS NEEDED

Hammer Drill
 Masonry Bits: 3/8", 5/8"
 Large Hammer
 Level
 Chalk Line
 Tape Measure
 Tall Ladders

Forklift
 Wrenches: 9/16", 3/4", 15/16"
 Socket Wrench with Sockets: 9/16", 3/4", 15/16"
 Drill
 Nut Driver: 5/16"
 Metal Shears (up to 24g steel)

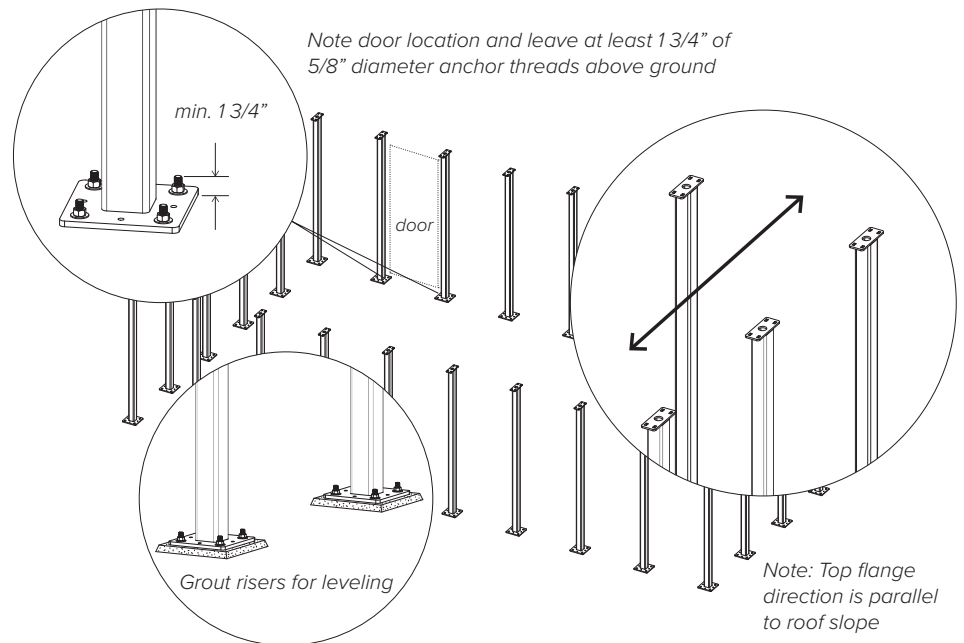
1

Place uprights on concrete foundation (see foundation design drawing).

Confirm all uprights are properly spaced and square. All uprights should be at the same elevation; use non-shrink grout risers if needed. Longer anchors may be needed to maintain minimum 4 5/8" concrete embedment.

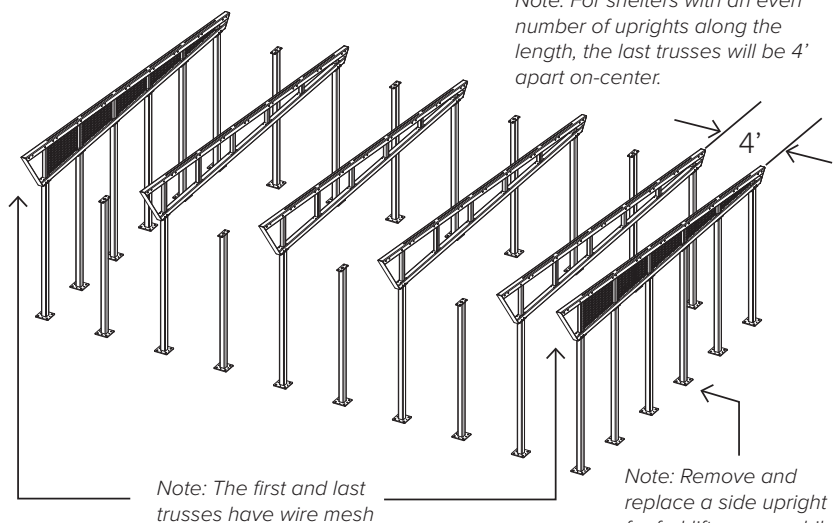
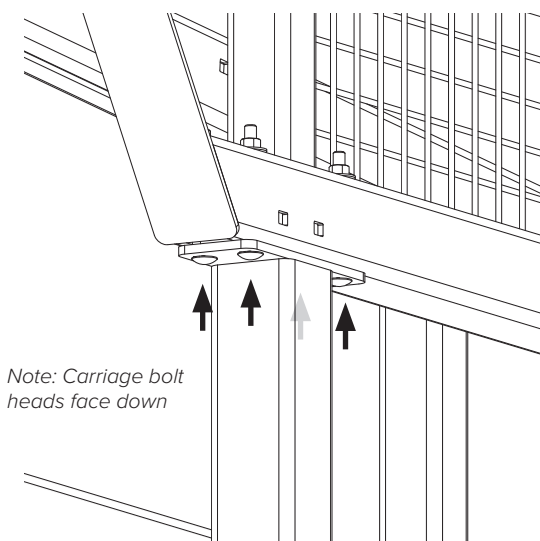
Using the upright base as a template, drill (4) 5/8" diameter holes at each upright. Install wedge anchors with a minimum embedment of 4 5/8".

Add nuts and washers and leave finger-tight. See shelter assembly drawing for specific upright placement locations.

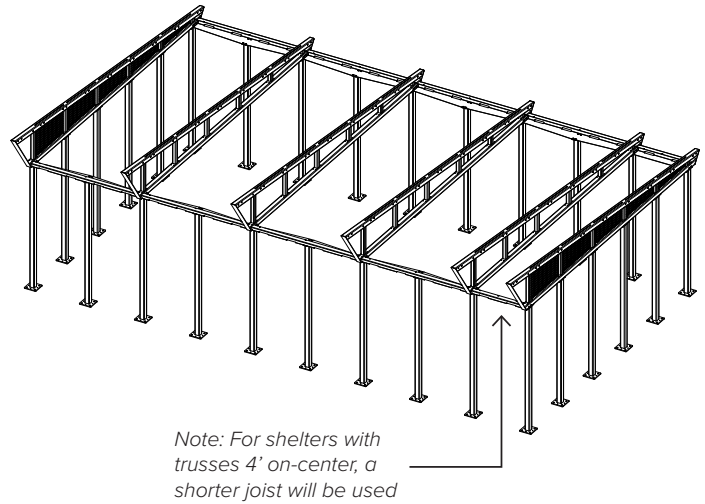
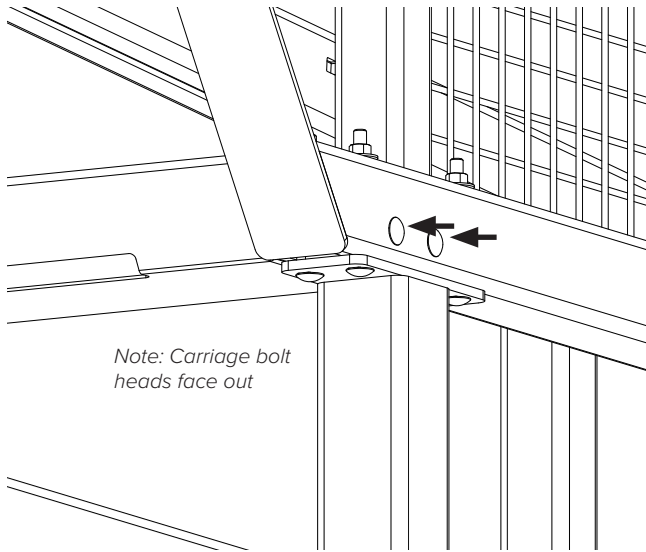

2

Lift trusses into place and fasten to uprights every 8' with (4) 1/2" x 5 1/2" carriage bolts, lock washers, and nuts at each upright. Leave finger-tight.

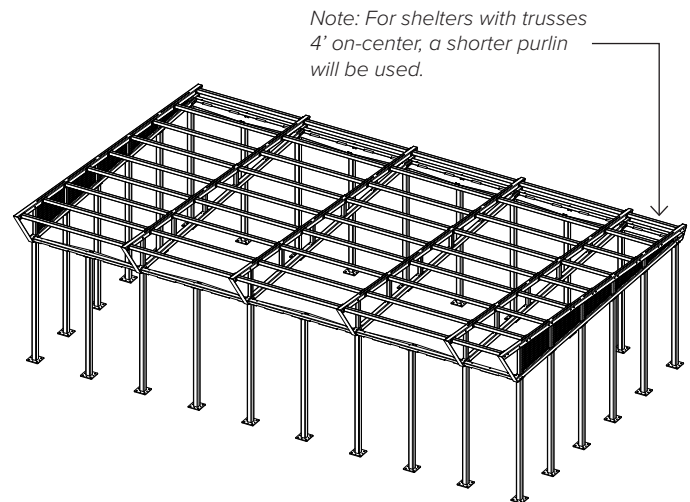
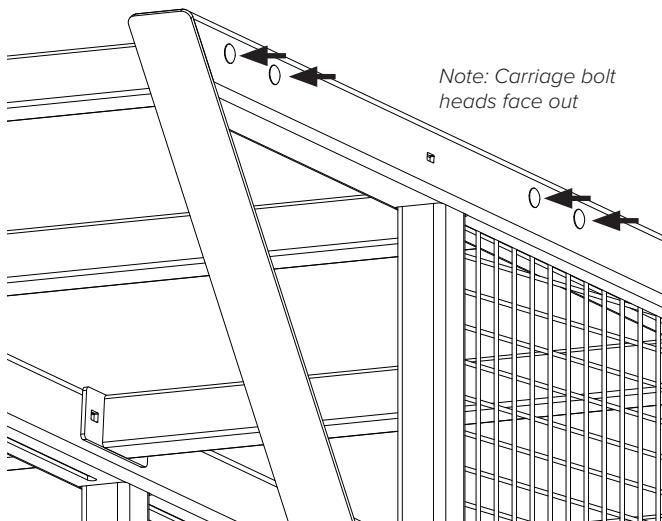
Note: For shelters with an even number of uprights along the length, the last trusses will be 4' apart on-center.



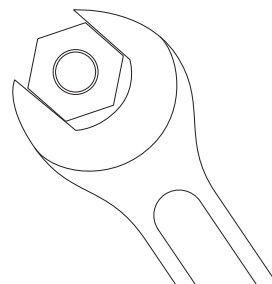
- 3** Attach the joists with (2) 1/2" x 5 1/2" carriage bolts, lock washers and nuts at both ends. Attach the joist to the middle upright with (4) 1/2" x 1 1/2" carriage bolts, lock washers and nuts. Leave finger-tight.



- 4** Attach the purlins with (2) 1/2" x 5 1/2" carriage bolts, lock washers and nuts at both ends. Leave finger-tight.

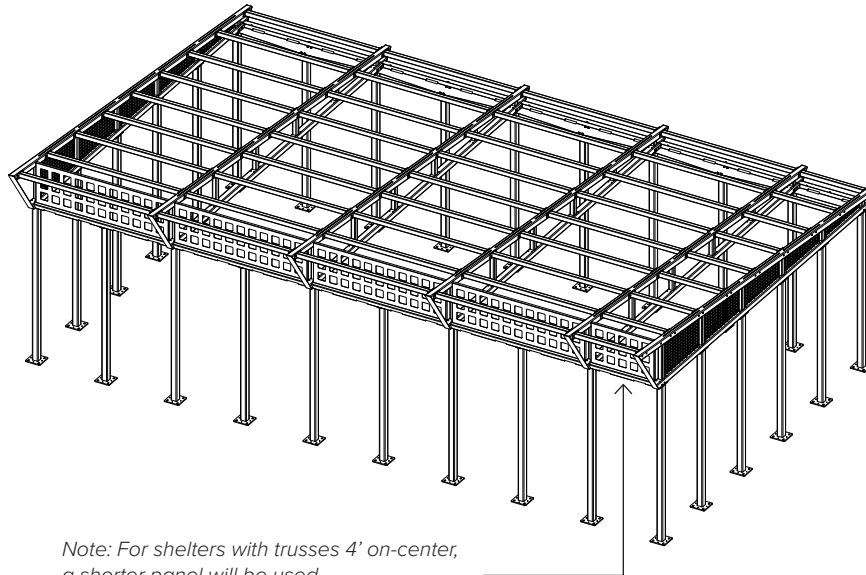


- 5** Tighten all fasteners:
- Confirm spacing of upright bases and tighten wedge anchors. All uprights are 48" on-center.
 - Tighten bolts at upright tops and trusses.
 - Tighten bolts at purlins and trusses.
 - Tighten bolts at joist ends and trusses.
 - Tighten bolts at remaining upright tops and joists.



6

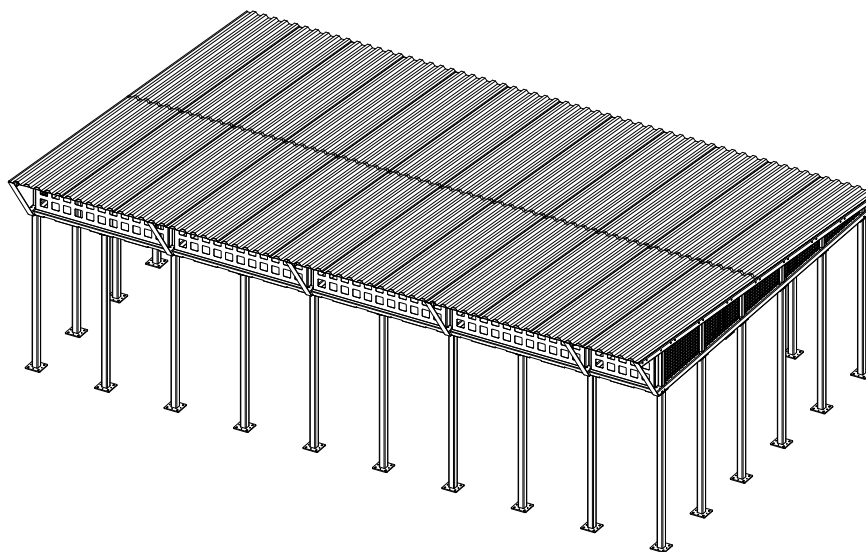
Attach the upper panels to the trusses with (2) 3/8" x 5 1/2" carriage bolts, lock washers and nuts at both top ends. Attach to the joists with (3) 3/8" x 1" carriage bolts, lock washers and nuts at bottom.



Note: For shelters with trusses 4' on-center, a shorter panel will be used.

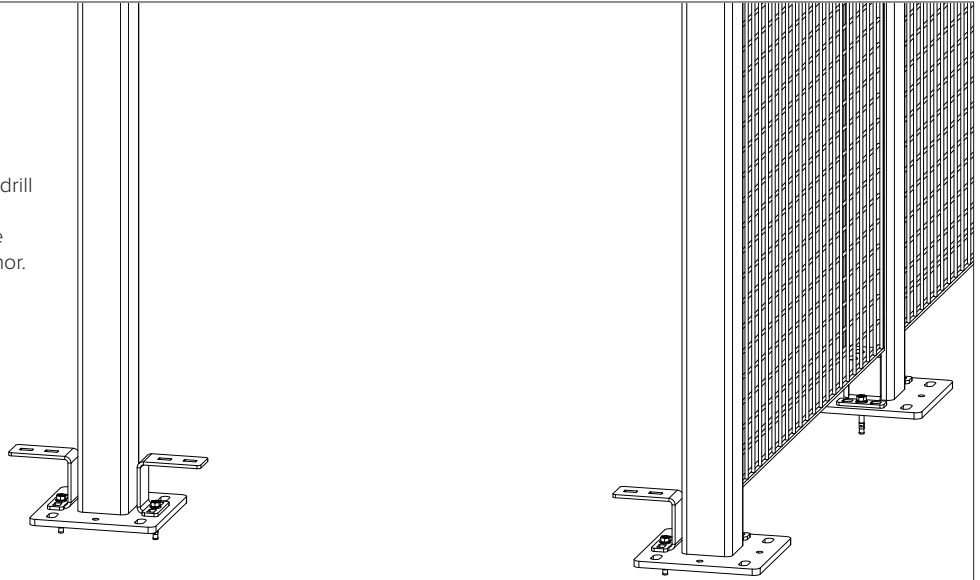
7

Attach roof panels with manufacturer's instructions.



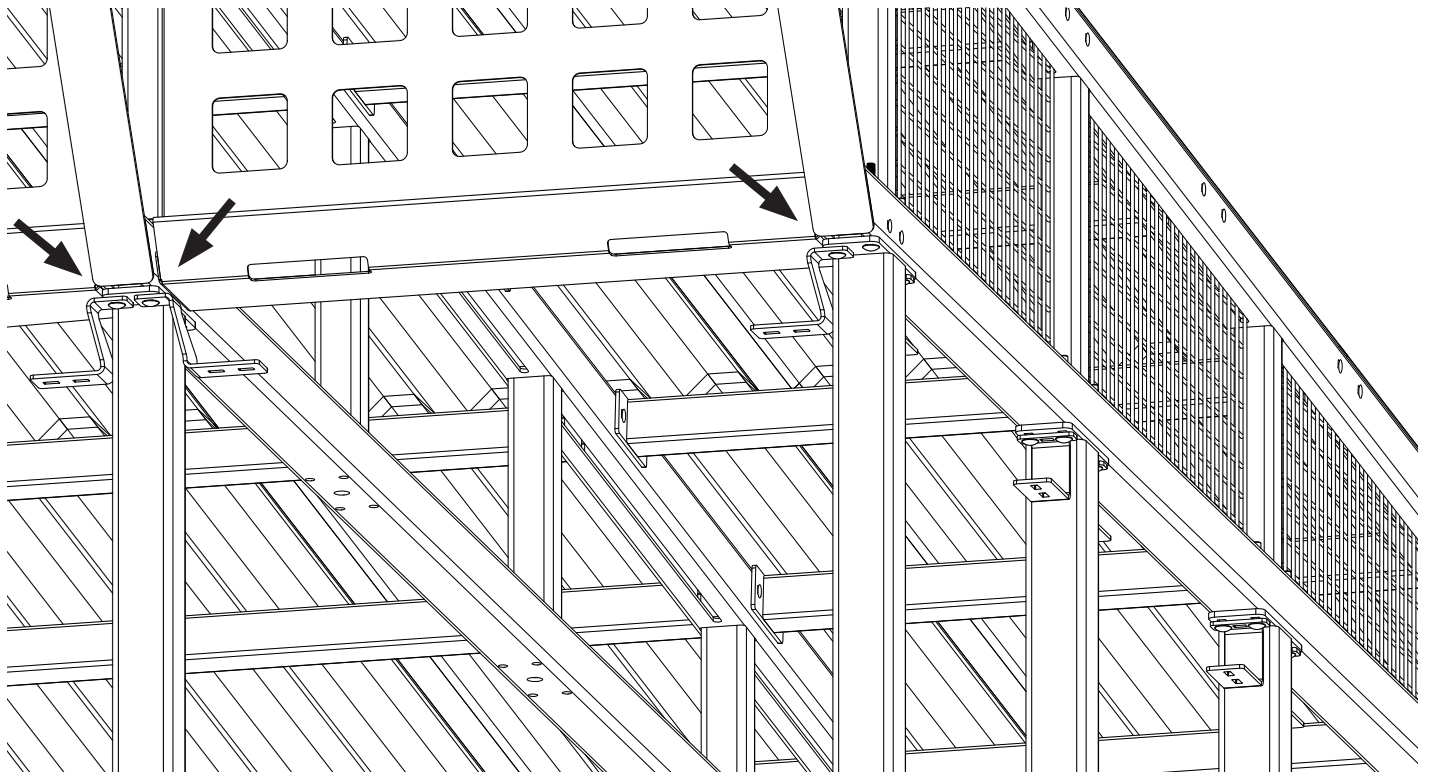
1

At every location a panel is to be installed, drill a 3/8" dia. hole in the concrete through the existing hole in the upright base. Attach the panel brackets with a 3/8" x 3" wedge anchor.

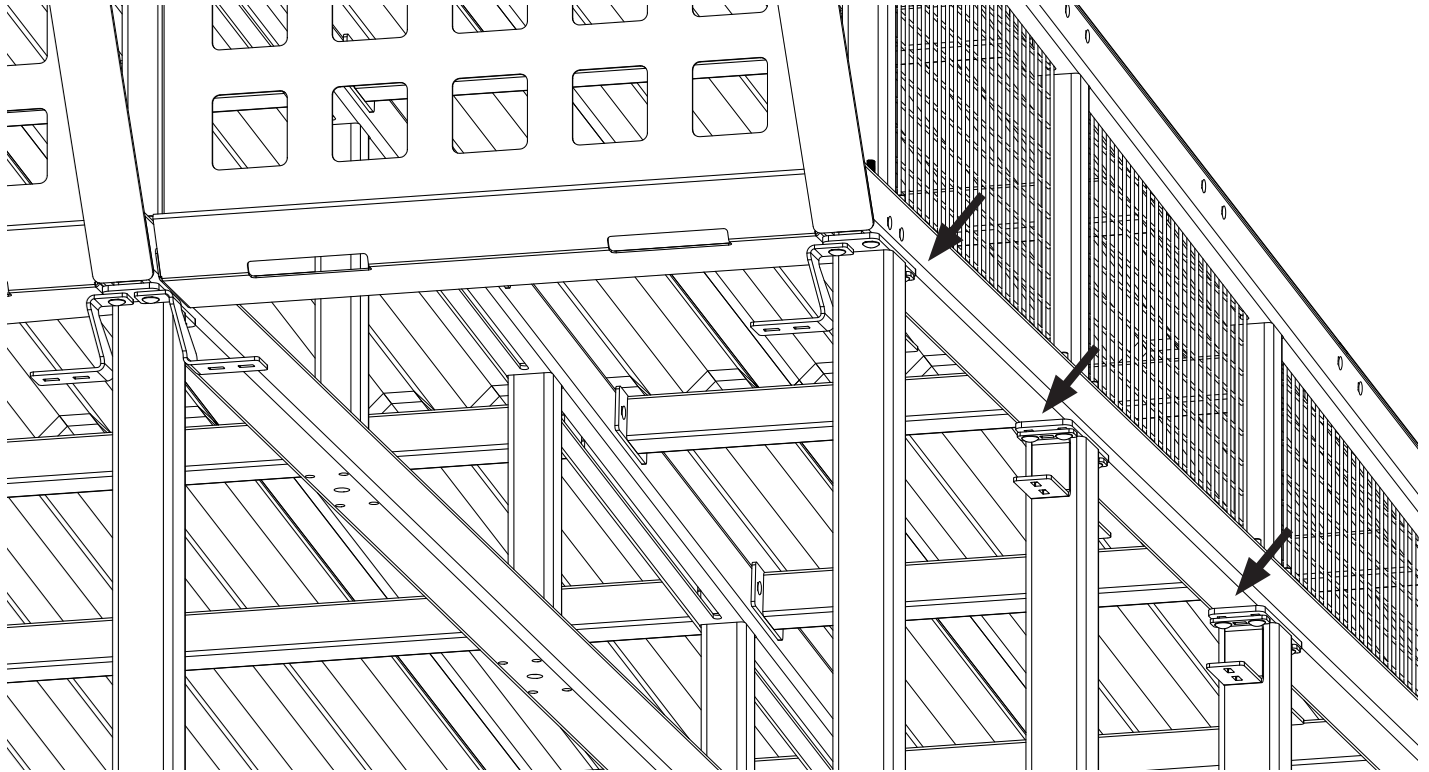


2

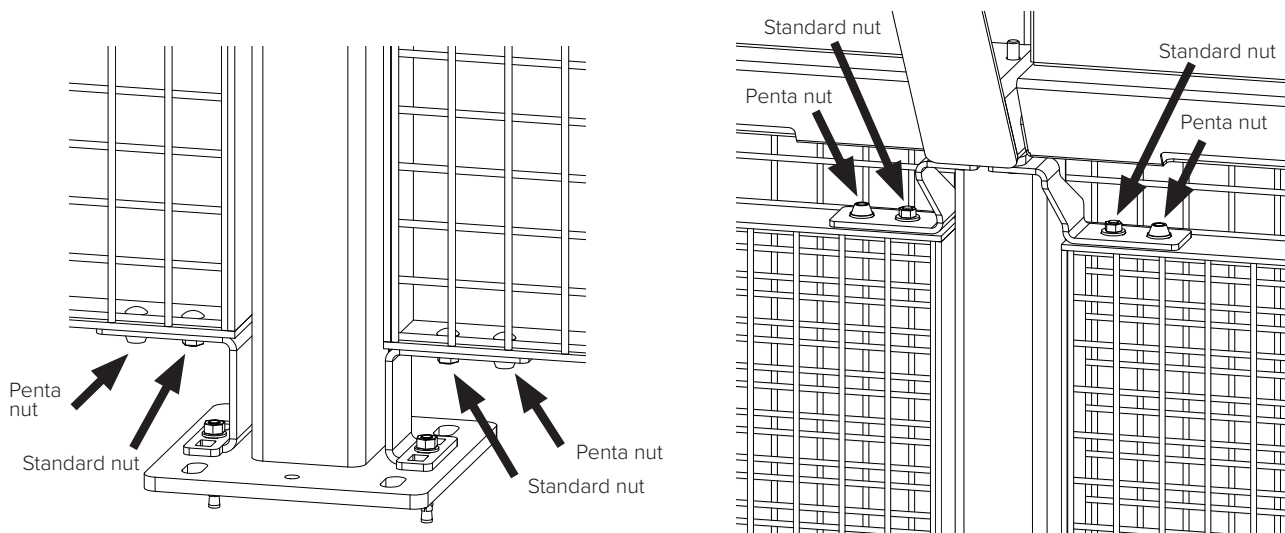
At every location a panel is to be installed on the front or back of the shelter, remove the (2) outer carriage bolts at the top of the uprights and add the offset panel brackets below the upright flanges with the same carriage bolts. The offset brackets angle towards the shelter.



- 3** At every location a panel is to be installed on the sides of the shelter, remove the (4) inner carriage bolts at the top of the uprights and add the panel brackets below the upright flanges with the same carriage bolts.



- 4** Attach panels to each bracket with (2) 3/8" x 1" carriage bolts, washers and nuts. (1) Nut at each bracket will be a Penta nut for security. There are (4) brackets per panel. Typically the panels adjacent to the door(s) will be solid for extra security. Consult the job-specific plan for more detail.

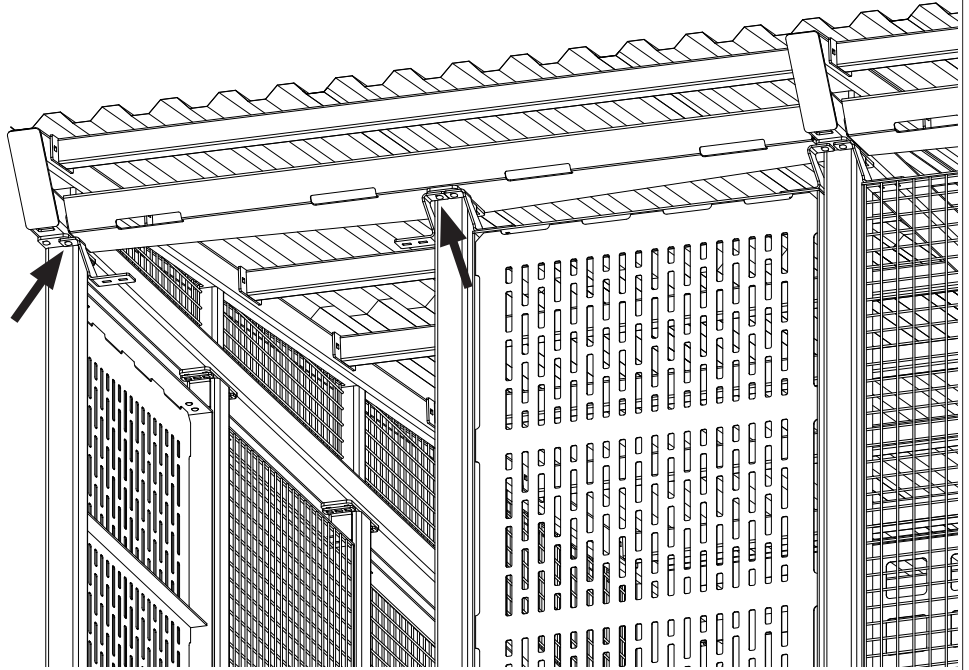




Front or back doors:

A.

At every location a door is to be installed on the front or back of the shelter, remove the (2) outer carriage bolts at the top of the uprights and add the offset panel brackets below the upright flanges with the same carriage bolts. The offset brackets angle towards the shelter.

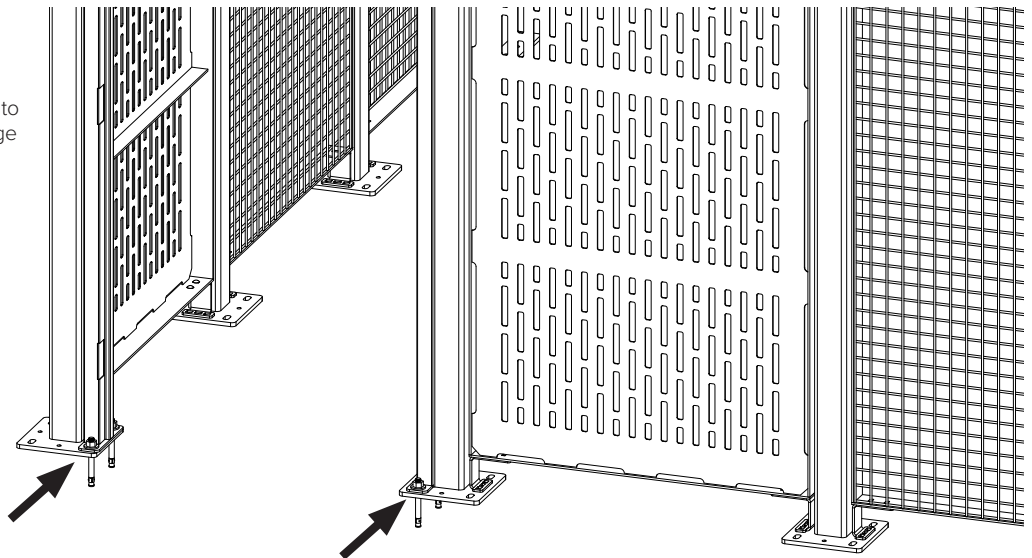


B.

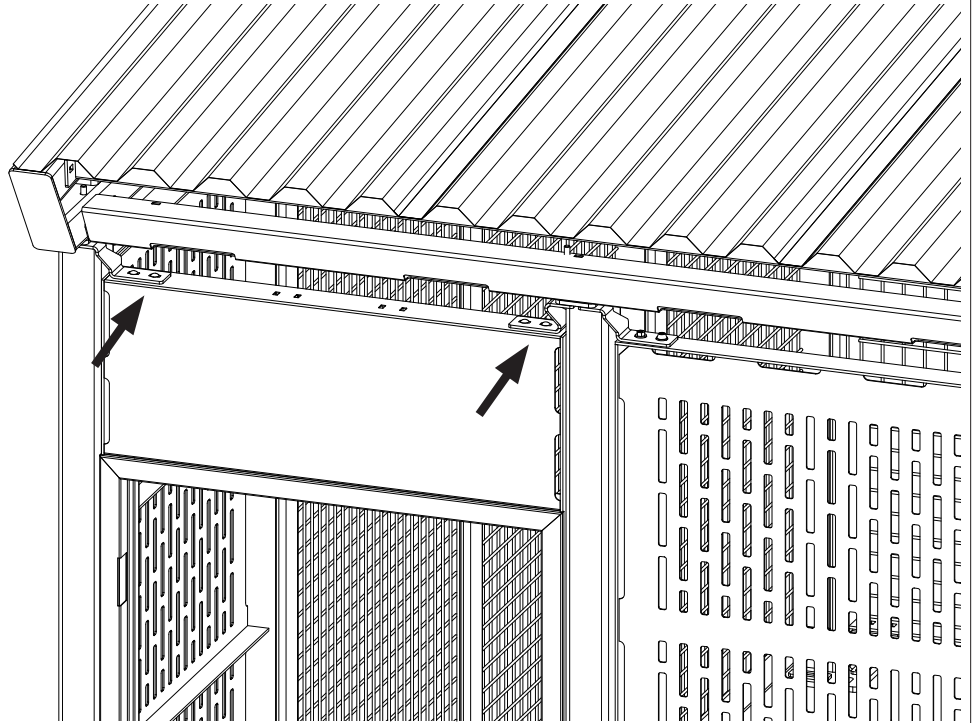
Below these panel brackets, remove the (4) inner 5/8" wedge anchor nuts and washers at the base of the uprights.

C.

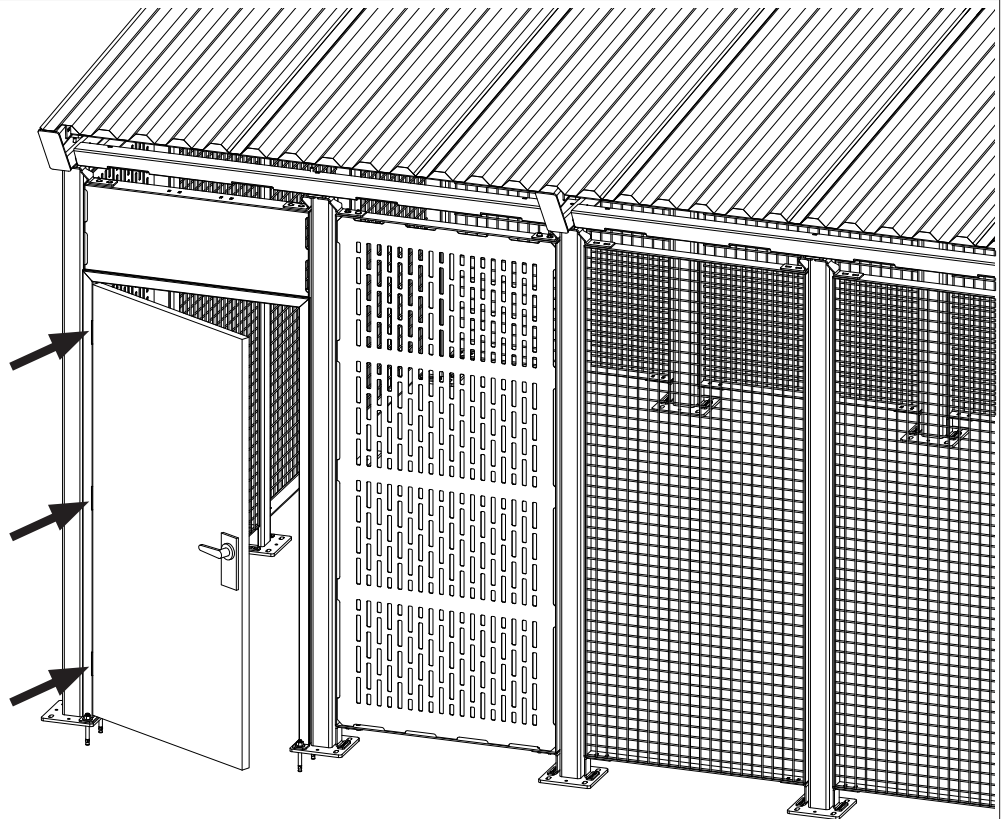
Attach the bottom of the door frame to the upright bases with the 5/8" wedge anchor nuts and washers.



D.
Attach the top of the door frame to each bracket with (2) 3/8" x 1" carriage bolts, washers and nuts. (1) Nut at each bracket will be a Penta nut for security.

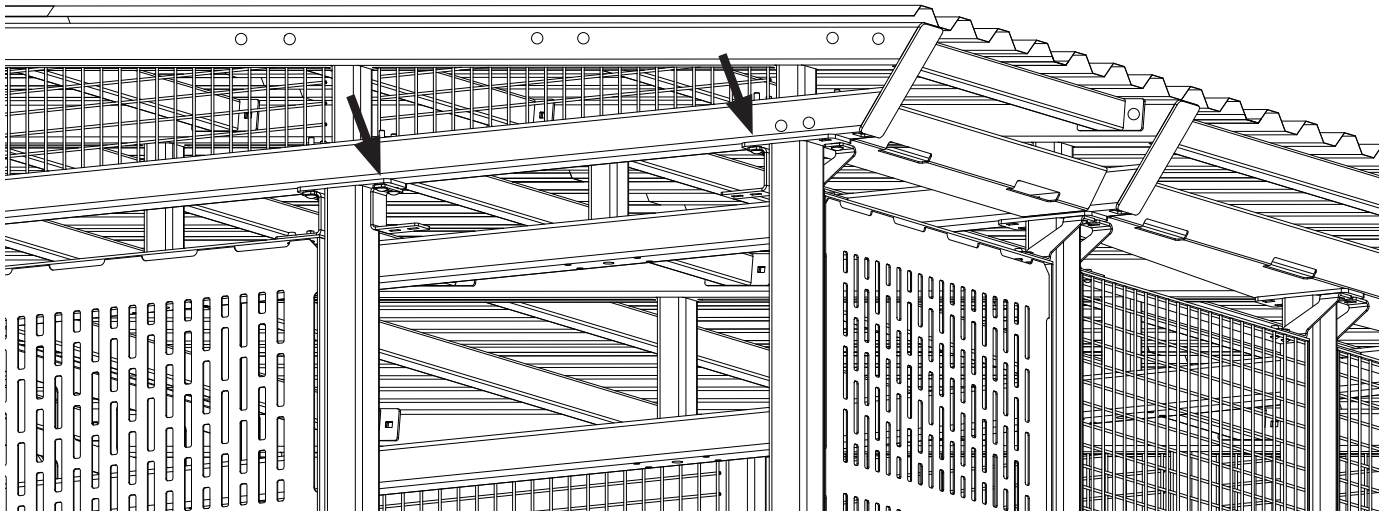


E.
Attach the door and hinges to door frame with supplied hardware.



Side doors:**A.**

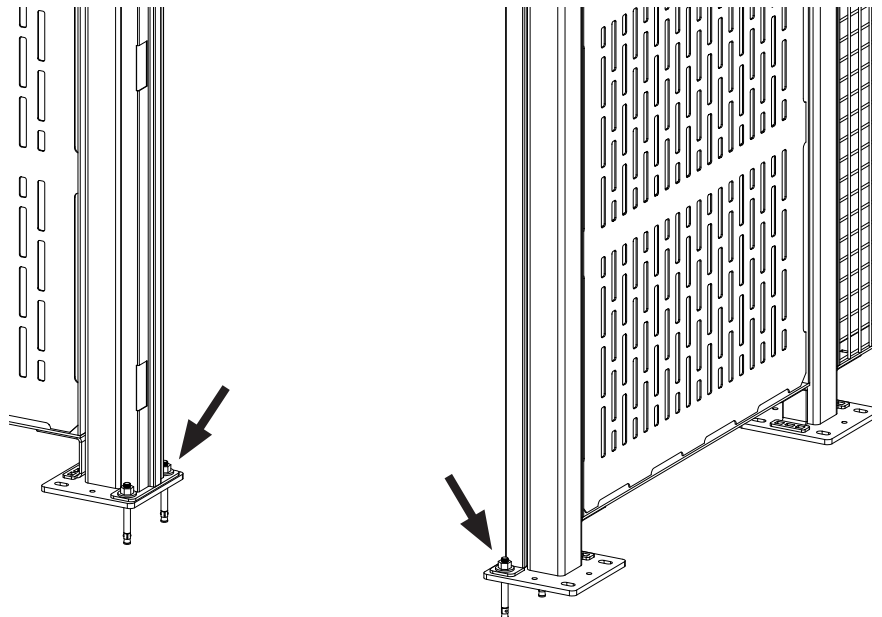
At every location a door is to be installed on the sides of the shelter, remove the (4) inner carriage bolts at the top of the uprights and add the panel brackets below the upright flanges with the same carriage bolts.

**B.**

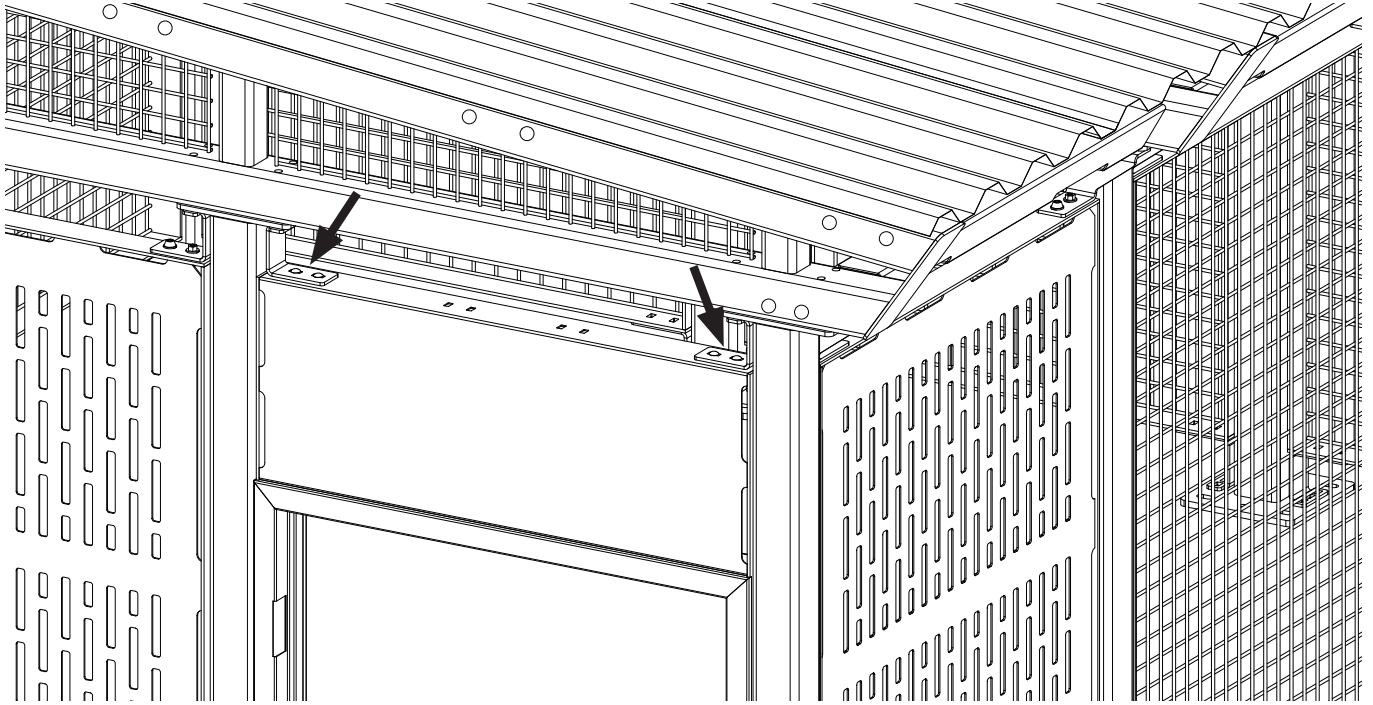
Below these panel brackets, remove the (4) inner 5/8" wedge anchor nuts and washers at the base of the uprights.

C.

Attach the bottom of the door frame to the upright bases with the 5/8" wedge anchor nuts and washers.



- D.**
Attach the top of the door frame to each bracket with (2) 3/8" x 1" carriage bolts, washers and nuts. (1) nut at each bracket will be a Penta nut for security.



- E.**
Attach the door and hinges to door frame with supplied hardware.

