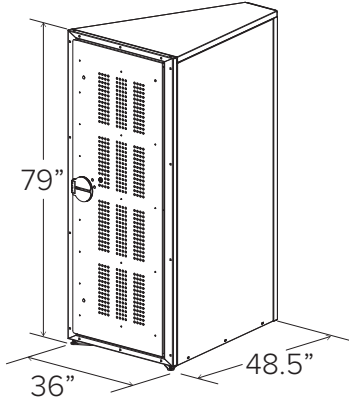


VERTICAL BIKE LOCKER

Submittal Sheet



CAPACITY 1 Bike

MATERIALS Frame: 1.5" x 14g square tube
Sides: 18g plate
Doors: 16g plate
Top: 18g plate

FINISHES

Galvanized
An after fabrication hot dipped galvanized finish is our standard option on frame components. Pre-fabrication galvanizing is standard on panel components.

Powder Coat
Our powder coat finish assures a high level of adhesion and durability by following these steps:
1. Sandblast
2. Epoxy primer electrostatically applied
3. Final thick TGIC polyester powder coat

LOAD DATA 40 psf snow, 90 mph wind exposure B, high seismic when installed on concrete

SETBACKS Allow a 60" clearance from door face.

STANDARD

- Leveling feet
- Ventilating window on doors
- Graffiti resistant
- UV resistant

OPTIONS

- Gear hook
- Numbered plates
- Door closer



DERO
A PLAYCORE Company

www.dero.com | 1-888-337-6729